

PARTS CATALOGUE

BRIDGESTONE

175 DT

175 HS

M II RS

M II SS



Rockford Motors inc.

1911 HARRISON AVENUE • ROCKFORD, ILLINOIS 61101

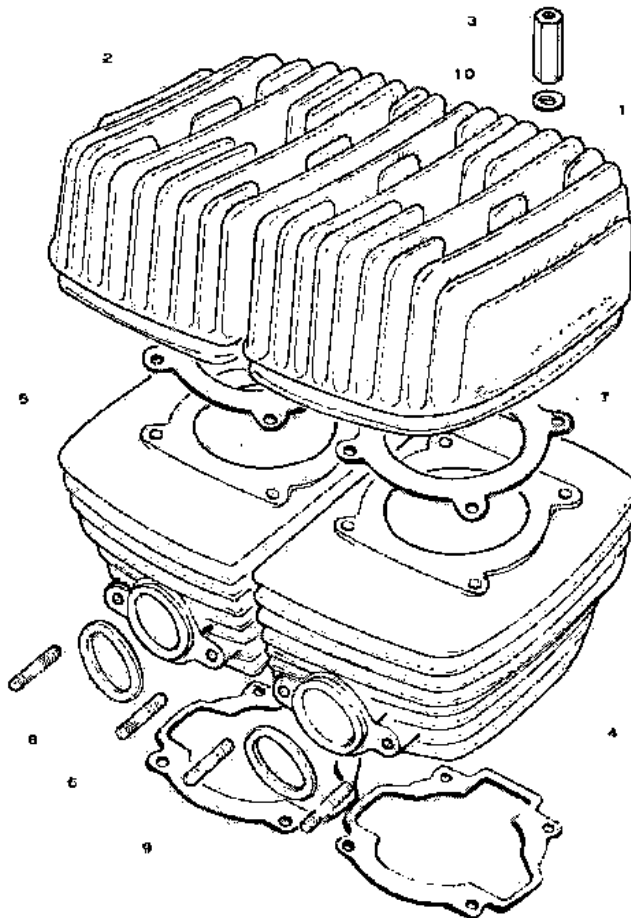
1. This catalogue covers all the items of genuine parts and tools of BRIDGESTONE, 175 Dual Twin, 175 Hurricane Scrambler, MII RS and MII SS motorcycles.
2. Please note the following when placing orders.
 - A. Be sure to state accurately the part No. and Name of each part.
 - B. All the items recessed (set-back) under individual "assembly items" represent a group of parts comprising the "assembly."
 - C. The numbers shown in the column "No. Req'd" represent the quantities required for one unit.
 - D. Symbols FAR, FAB, CBK, MS, FBG, FDG, FOG, FO, PSW and XCI following the part Number indicate Flamboyant red, Flamboyant blue, Black, Metallic silver, Flamboyant bead gold, Green, Gold, Tangerine, pearl White and chrome plating finish respectively.
 - E. Dimensions of the parts listed in this catalogue are in millimeters.

CONTENTS

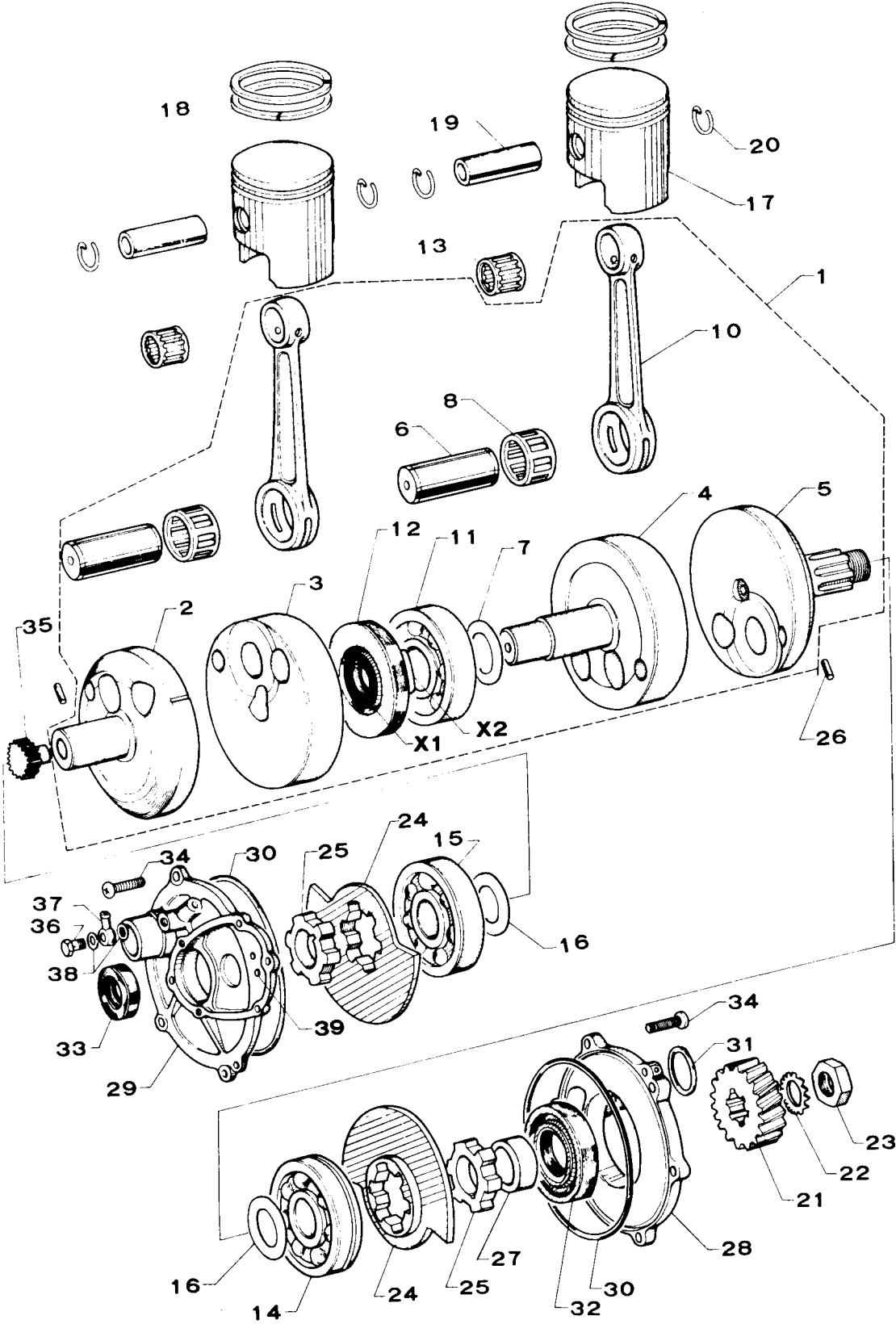
CYLINDER – CYLINDER HEAD	1
CRANKSHAFT – PISTON – ROTARY VALVE	2
OIL PUMP – PUMP GEAR	4
CARBURETOR	6
DYNAMO (BEFORE SERIAL 16G) NEUTRAL SWITCH	8
DYNAMO (AFTER SERIAL 16G)	10
CRANK CASE ASS'Y	12
LEFT CRANK CASE COVER	14
RIGHT CRANK CASE COVER, CARBURETOR COVER	15
CLUTCH	16
TRANSMISSION	18
CHANGE PEDAL – SHIFT DRUM – SPORTSHIFT LEVER	20
KICK STARTER SHAFT – KICK STARTER ARM	22
FRAME – FOOT RESTS	24
REAR FENDER – TOOL BOX	26
MAIN STAND-SIDE STAND-BRAKE PEDAL	28
FRONT FENDER—HANDLE BAR—BACK MIRROR FOR DT AND RS	30
FRONT FENDER—HANDLE BAR—BACK MIRROR FOR HS AND SS	32
FRONT FORK – STEERING DAMPER	34
REAR FORK – REAR CUSHIONS	36
FUEL TANK – FUEL COCK – OIL TANK	38
LEFT HANDLE GRIP CLUTCH LEVER STARTER LEVER	40
RIGHT HANDLE GRIP – FRONT STOP SWITCH	41
MUFFLERS—EXHAUST PIPES FOR DT AND RS	42
MUFFLERS—MUFFLER PROTECTORS—ENGINE GUARD FOR HS AND SS	43
SEAT—AIR CLEANER—SIDE COVER—TOURING BAR—REAR REFLECTOR	44
FRONT WHEEL	46
REAR WHEEL	48
HORN – IGNITION COIL – MAIN SWITCH – BATTERY	50
SERVICE TOOL SET	51
SPEEDOMETER CABLE – THROTTLE WIRE	52
EXCLUSIVE PARTS FOR BRIDGESTONE 175 SR RACER	53

CYLINDER – CYLINDER HEAD

Index #	Part #	Part Name	No. Req'd
PARTS FOR 175			
1	1112-8000	Left cylinder head	1
2	1113-8000	Right cylinder head	1
3	1115-8000	Cylinder head nut	8
4	1122-8000	Left cylinder	1
5	1123-8000	Right cylinder	1
6	09016-101	6 X 40 stud	4
7	1141-8010	Cylinder head gasket	2
8	1142-5000	Exhaust pipe gasket	2
9	1143-8000	Cylinder base gasket	2
10	09041-111	7 plane washer	8
PARTS FOR M II			
1	1112-8200	Left cylinder head	1
2	1113-8200	Right cylinder head	1
3	1115-8000	Cylinder head nut	8
4	1122-8200	Left cylinder	1
5	1123-8200	Right cylinder	1
6	09016-101	6 X 40 stud	1
7	1141-8200	Cylinder head gasket	2
8	1142-5000	Exhaust pipe gasket	2
9	1143-8200	Cylinder base gasket	2
10	09041-111	7 plane washer	8



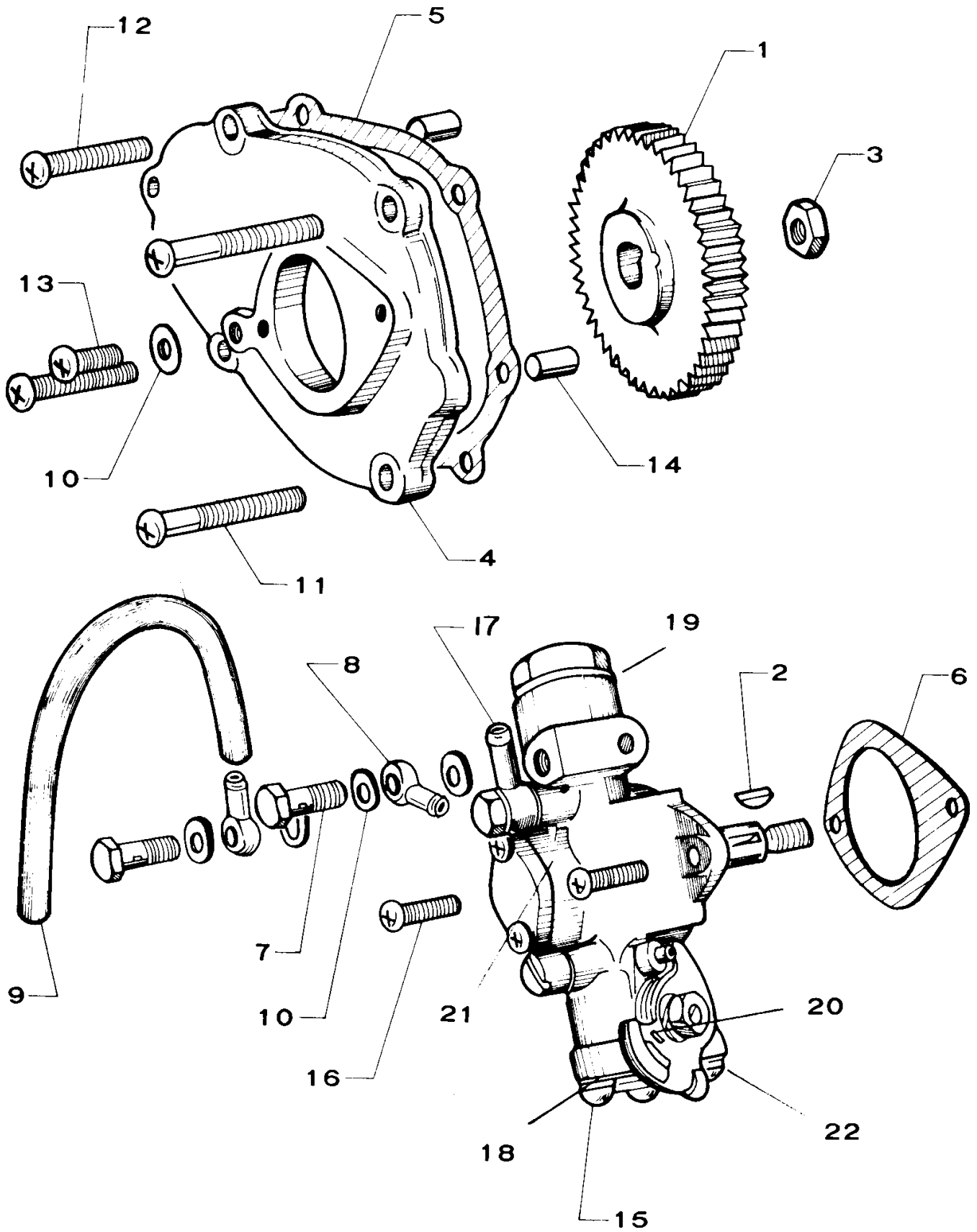
CRANKSHAFT - PISTON - ROTARY VALVE



CRANKSHAFT – PISTON – ROTARY VALVE

Index No.	Part No.	Part Name	No. Req'd
1	1301-8002	Crankshaft complete	1
2		Left crankshaft A	1
3		Left crankshaft B	1
4		Right crankshaft A	1
5		Right crankshaft B	1
6	1321-8000	Crank pin	2
7	09049-106	20× 0.3 shim	1
8	1325-5010	Needle bearing	2
10	1331-5010	Connecting rod	2
11	09071-101	Roller bearing	1
12	09090-110	Oil seal before 16 B	
12	09090-116	28 oil seal after 16 B	1
x1	1317-8000	Crank shaft spacer	1
x2	09066-112	20 O ring	1
13	1333-5010	Needle bearing	2
14	09075-102	Ball bearing	1
15	07-6304-03	Ball bearing	1
16	09049-106	20× 0.3 shim	2
17	1341-5010	Piston for 175	2
	1341-5410	Piston for M II	2
18	1305-5010	Piston ring kit for 175	2
	1305-5400	Piston ring kit for M II	2
19	1381-5000	Piston pin for 175	2
	1381-5400	Piston pin for M II	2
20	1382-5000	Piston pin circlip	4
21	1385-8000	Drive pinion	1
22	09045-102	14 external toothed washer	1
23	09029-101	14 left thread nut	1
24	1412-8000	Rotary valve	2
25	1413-8000	Valve guide	2
26	09063-104	3 × 10 dowel	2
27	1451-8000	Crank shaft collar	1
28	1430-8000	Rotary valve cover comp	1
29	1440-8001	Left cover comp after 16 G	1
29	1440-8000	Left cover complete	1
30	09066-103	100 O ring	2
31	09066-104	23 O ring	1
32	09090-109	28 oil seal	1
33	09090-113	20 oil seal	1
34	0311-0616	Cross recd pan head screw	10
35	1551-8000	Pump gear A	1
36	1564-8000	Union bolt	1
37	1565-8000	Union connector	1
38	09065-103	6 aluminum gasket	2
39	09066-106	7 O ring	2

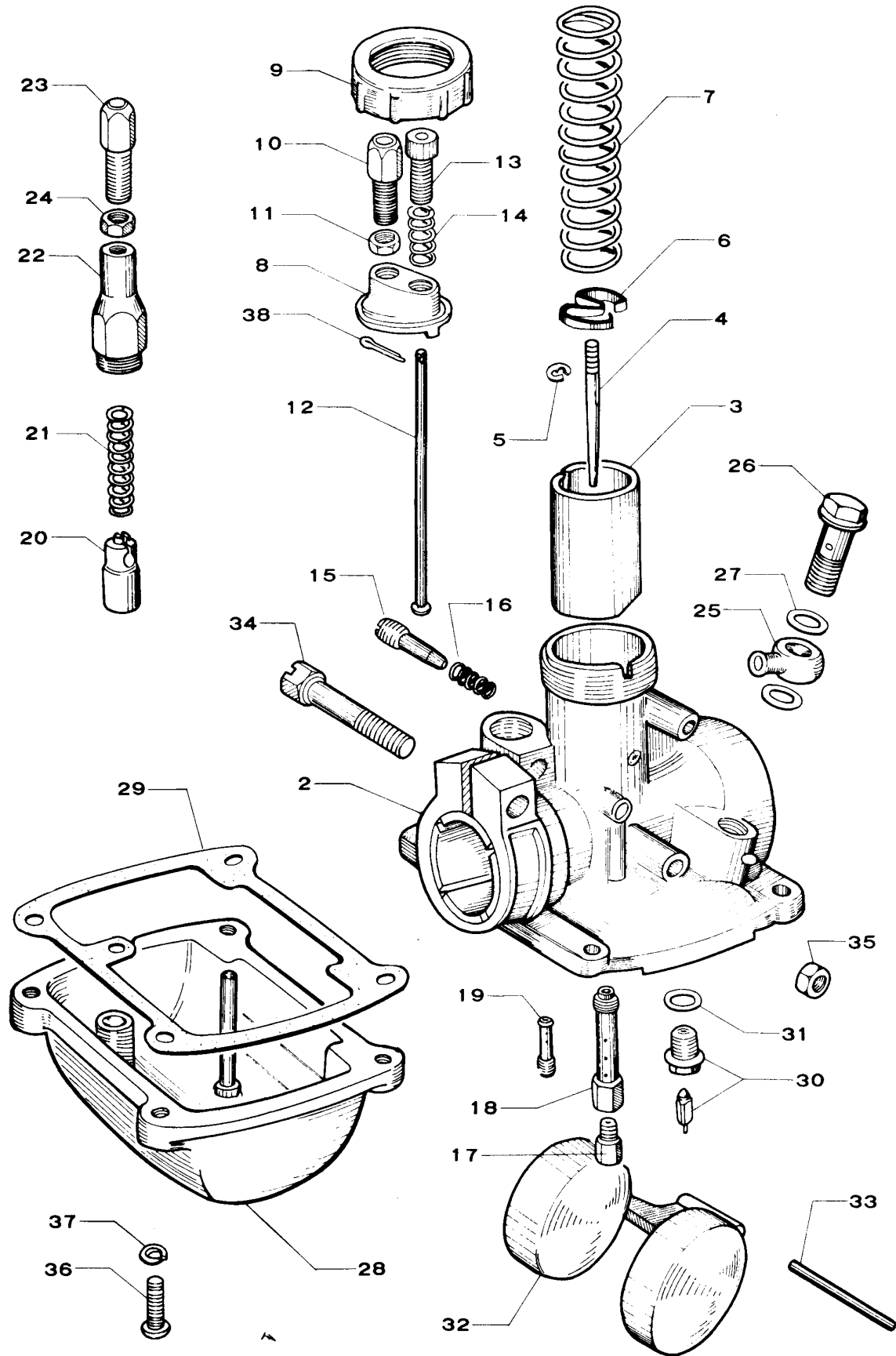
OIL PUMP - PUMP GEAR



OIL PUMP – PUMP GEAR

Index No.	Part No.	Part Name	No. Req'd
1	1552-8000	Pump gear B	1
2	0671-2510	Woodruff key	1
3	0211-0600	Hexagon nut A	1
4	1561-8000	Pump gear case	1
4	1561-8001	Pump gear case after 16 R	1
5	1562-8000	Gear case gasket	1
6	1563-8000	Pump gasket	1
7	1564-8000	Union bolt	2
8	1502-8000	Check valve assy	2
9	1567-8000	Oil tube B	1
10	09065-103	6 aluminum gasket	4
11	0313-0635	Cross recd pan head screw	2
12	0311-0616	Cross recd pan head screw	2
13	0311-0608	Cross recd pan head screw	1
14	09056-106	3×10 dowel	2
15	1501-8000	Oil pump assy for 175	1
	1501-8200	Oil pump assy for M II	1
16	0311-0512	Cross recd pan head screw	2
17	1571-5010	Union connector B	1
18	09066-126	26 O ring (Cam cover)	1
19	09066-127	13.5 O ring (Piston cover)	1
20	09066-128	5 O ring (Pump shaft)	1
21	09066-125	12 O ring (Worm gear cover)	1
22	1595-8000	Cam cover	1

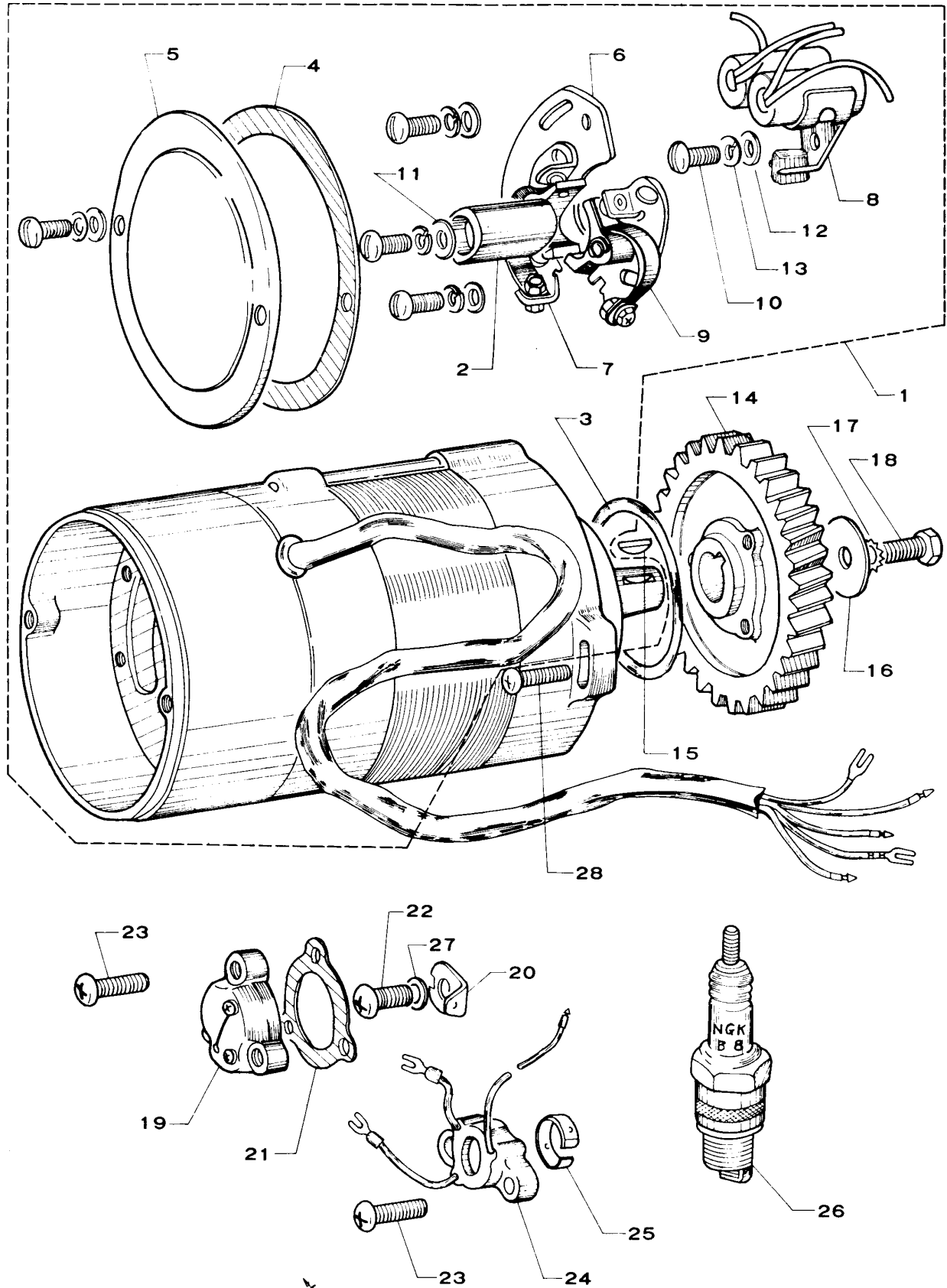
CARBURETOR



CARBURETOR

Index No.	Part No.	Part Name	No. Req'd
1	1600-8001	Carburetor assembly for 175	2
	1600-8200	Carburetor assembly for M II	2
2	1611-5010	Mixing chamber body	2
3	1614-8000	Throttle valve for 175	2
	1614-5010	Throttle valve for M II	2
4	1615-5010	Jet needle	2
5	1616-5010	Needle clip	2
6	1617-5010	Spring seat	2
7	1618-8000	Throttle valve spring	2
8	1619-5010	Mixing chamber top	2
9	1621-5010	Mixing chamber cap	2
10	1622-5000	Cable adjuster	2
11	1623-5000	Adjusting lock nut	2
12	1626-5010	Throttle stop rod	2
13	1627-5010	Throttle stop screw	2
14	1628-5010	Stop screw spring	2
15	1631-3010	Pilot air screw	2
16	1632-3010	Air screw spring	2
17	1635-5010-95	95 Main jet	2
17	1635-8000-90	90 Main jet	2
18	1633-8000	Needle jet for 175	2
	1633-5410	Needle jet for M II	2
19	1634-5010	Pilot jet	2
20	1645-5000	Starter plunger	2
21	1646-5000	Plunger spring	2
22	1647-5010	Plunger cap	2
23	1622-5000	Cable adjuster	2
24	1623-5000	Adjusting lock nut	2
25	1652-3100	Connecting union	2
26	1651-5000	Union bolt	2
27	1654-3100	Union gasket	4
28	1656-8000	Float chamber body	2
29	1657-5010	Float chamber gasket	2
30	1660-5010	Float valve assy	2
31	1665-3100	Valve seat gasket	2
32	1666-5010	Float	2
33	1667-3100	Float pin	2
34	1613-5010	Clamp screw	2
35	0211-0600	Hexagon nut A	2
36	0311-0414	Cross recd pan head screw	8
37	0431-0410	Spring washer	8
38	0551-1010	Split pin	2

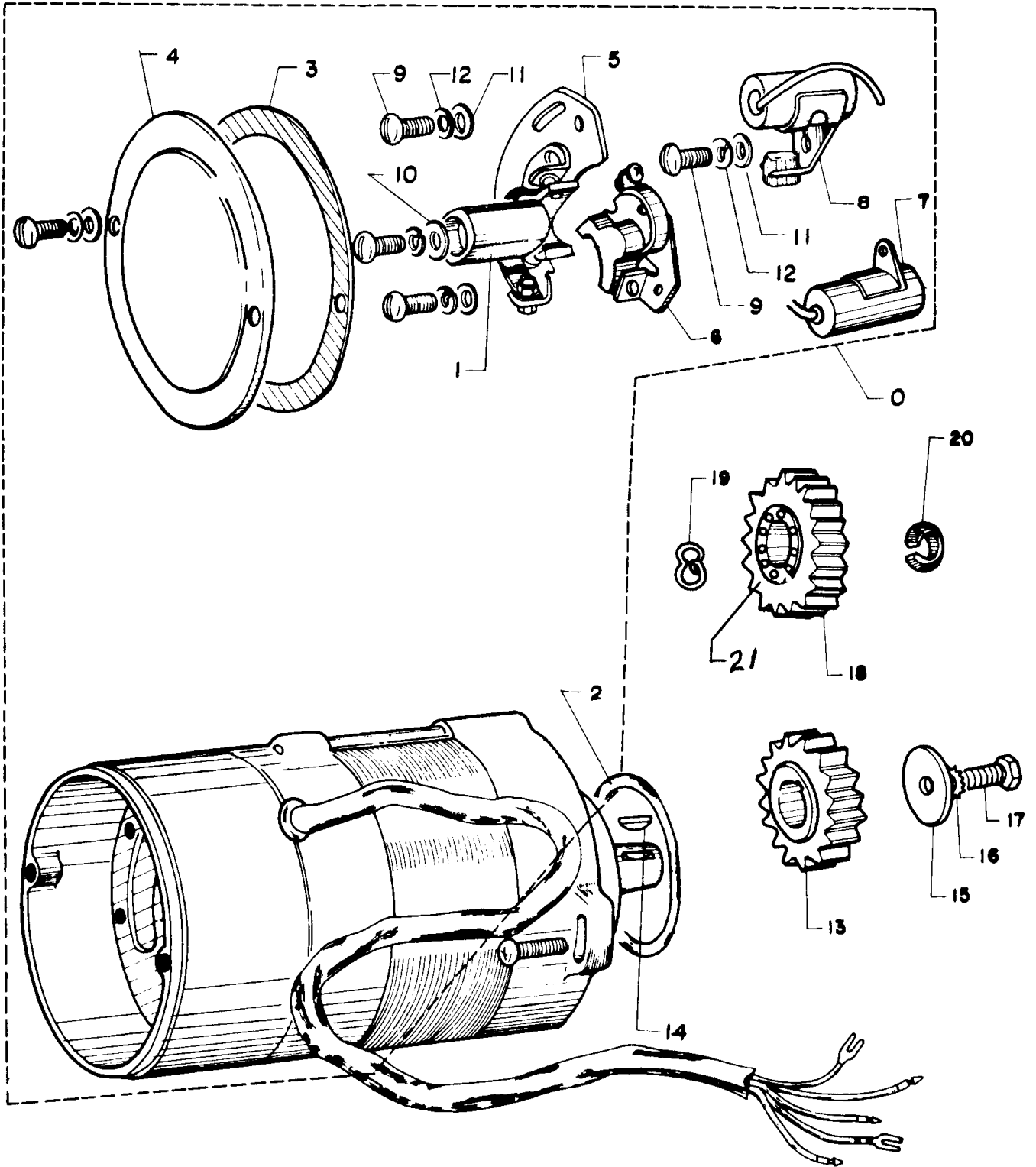
DYNAMO (BEFORE SERIAL 16G) NEUTRAL SWITCH



DYNAMO (BEFORE SERIAL 16G) NEUTRAL SWITCH

Index No.	Part No.	Part Name	No. Req'd
1	1703-8000	AC Dynamo before 16G	1
2	1736-8000	Contact breaker cam	1
3	1737-8000	O ring	1
4	1738-8000	Contact breaker cover gasket	1
5	1739-8000	Contact breaker cover	1
6	1751-8000	Contact breaker base	1
7	1752-8000	Left contact breaker assy	1
8	1753-8000	Condenser	1
9	1757-8000	Right contact breaker assy	1
10	0361-0408	Pan head screw	10
11	0411-0410	Plane washer A	1
12	0421-0408	Plane washer B	9
13	0431-0410	Spring washer	10
14	1741-8000	Timing gear	1
15	09067-102	3×13 woodruff key	1
16	09041-112	6 plane washer	1
17	0451-0611	External toothed washer	1
18	0113-0612	Hexagon bolt A	1
19	1761-8000	Neutral switch case before 16W	1
	1761-8001	Neutral switch case after 16W	1
20	1762-8000	Neutral switch contact plate before 16W	1
	1762-8001	Neutral switch contact plate after 16W	1
21	1763-8000	Neutral switch gasket	1
22	0311-0610	Cross recd pan head screw	1
23	0311-0516	Cross recd pan head screw	5
24	1767-8000	Neutral change case	1
25	1768-8000	Neutral change plate	1
26	1781-8000	Spark plug - B8HS	2
27	0411-0613	Plane washer A	1
28	0311-0520	Cross recd pan head screw	1

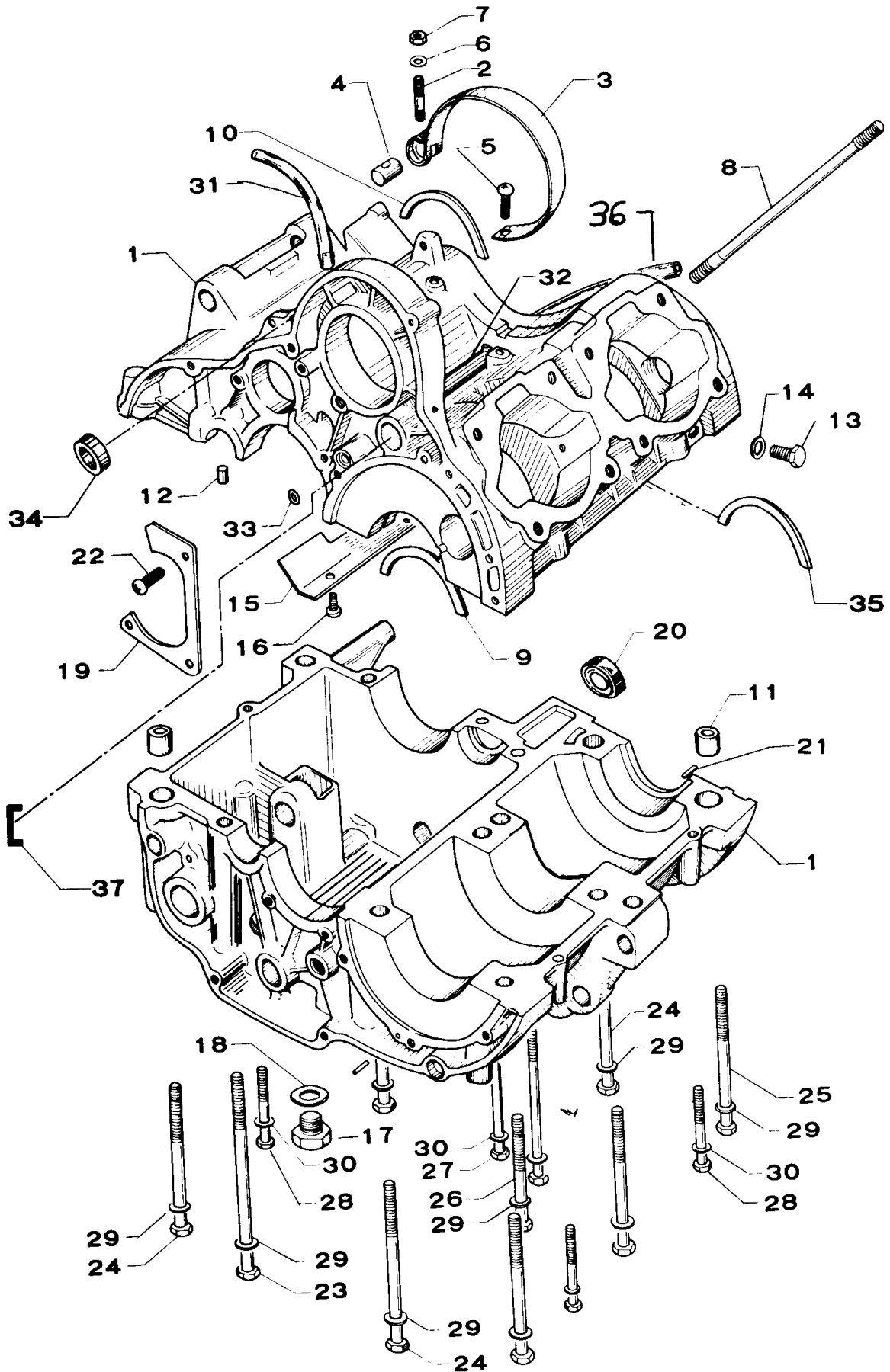
DYNAMO (AFTER SERIAL 16G)



DYNAMO (AFTER SERIAL 16G)

Index No.	Part No.	Part Name	No. Req'd
0	1703-8002	AC Dynamo	1
1	1736-8010	Contact breaker cam	1
	1736-8001	Contact breaker cam after 16L	1
2	1737-8000	O ring	1
3	1738-8000	Contact breaker cover gasket	1
4	1739-8001	Contact breaker cover	1
5	1751-8000	Contact breaker base	2
6	1752-8000	Contact breaker assy	2
	1752-8001	Left contact breaker assy after 16 L	1
	1757-8001	Right hand contact breaker after 16L	1
7	1756-8010	Left condenser disct'd after 16 L	1
	1753-8000	Double condenser after 16 L	1
8	1756-8010	Right condenser disct'd after 16 L	1
9	0361-0408	Pan head screw	10
9	0361-0412	Pan head screw after 16 L	1
9	0361-0410	Pan head screw after 16 L	5
9	0361-0407	Pan head screw after 16 L	4
10	0411-0410	Plane washer A	1
11	0421-0408	Plane washer B	9
12	0431-0410	Spring washer	10
13	1741-8010	Timing gear	1
14	09067-102	3×13 woodruff key	1
15	09041-112	6 plane washer	1
15	09041-114	4 plane washer after 16L	1
16	0451-0611	External toothed washer	1
17	0113-0612	Hexagon bolt A	1
18	1742-8010	Timing idle gear	1
19	09046-104	12 wave washer	1
20	09002-101	12 B snap ring	1
21	09075-103	Timing gear bearing	1

CRANK CASE ASS'Y

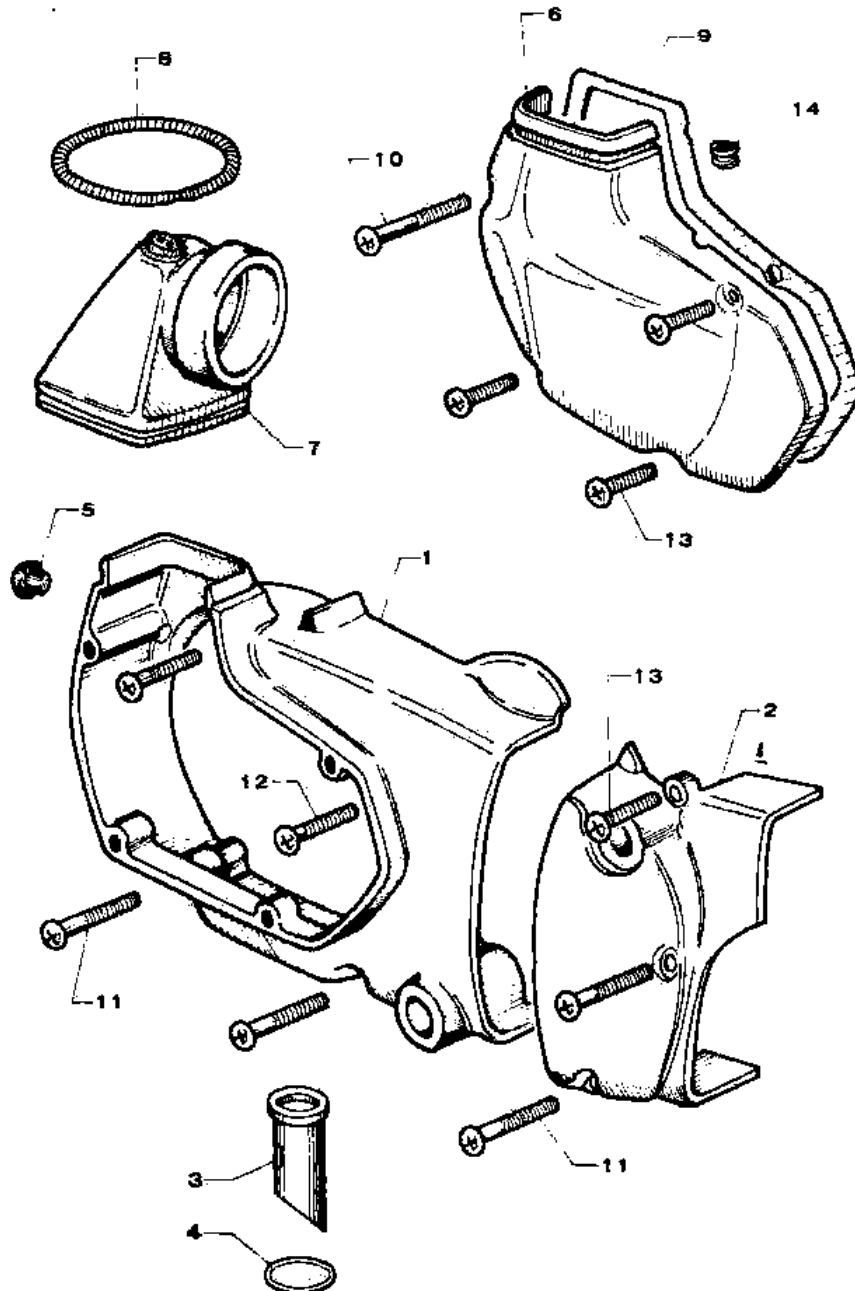


CRANK CASE ASS'Y

Index No.	Part No.	Part Name	No. Req'd
1	2101-8011	Crank case assy for 175 after 16G	1
1	2101-8000	Crank case assy for 175 before 16G	1
	2101-8200	Crank case assy for M II	1
2	09016-101	6 × 40 stud	1
3	2117-8000	Dynamo set band	1
4	2118-8000	Dynamo set pin	1
5	0311-0610	Cross recd pan head screw	1
6	2149-8000	Set band washer	1
6	0411-0613	Plane washer A	1
7	09021-104	6 hexagon nut	1
7	0211-0600	Hexagon nut A	1
8	2121-8000	Cylinder mounting stud	8
9	2122-8000	Bearing retainer A	1
10	2123-8000	Bearing retainer B	1
11	09057-102	8 × 12 × 14 B dowel	2
12	09056-105	6 × 10 A dowel	1
13	0111-0812	Hexagon bolt A	1
14	09064-103	8 fiber gasket	1
15	2128-8000	Oil baffle plate	1
16	0311-0510	Cross recd pan head screw	2
17	09058-102	16 drain plug	1
18	09065-102	16 aluminum gasket	1
19	2145-8002	Counter shaft bearing holder	1
20	09090-101	12 Oil seal	1
21	09056-102	4 × 8A dowel	2
22	0311-0612	Cross recd pan head screw	3
23	09011-102	8× 100 hexagon bolt	1
24	0113-0890	Hexagon bolt A	3
25	0113-0880	Hexagon bolt A	4
26	0113-0862	Hexagon bolt A	1
27	09011-103	6× 90 hexagon bolt	2
28	0113-0645	Hexagon bolt A	2
29	0411-0818	Plane washer A	9
30	0411-0613	Plane washer A	5
31	2135-5000	Breather vinyl tube	1
32	1566-8000	Oil tube A	1
33	09066-106	7 O ring	1
34	2116-8000	Dynamo spacer	1
35	2124-8000	Oil seal retainer	1
36	1567-8000	Oil tube B	1
37	2114-8000	Upper crank case plug	1

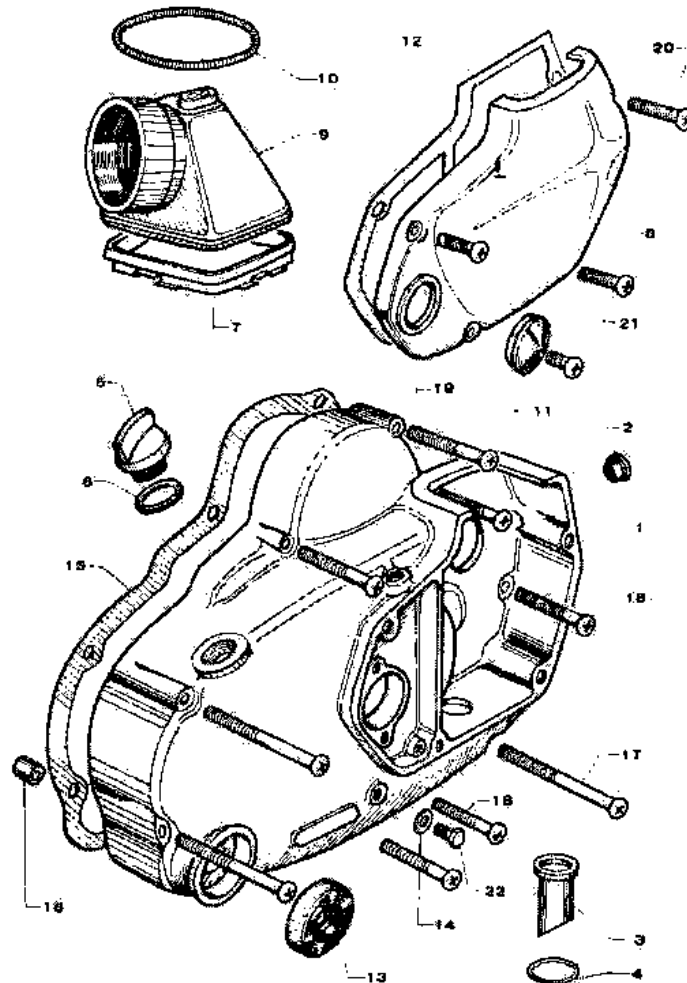
LEFT CRANK CASE COVER

Index No.	Part No.	Part Name	No. Req'd
1	2151-8000	Left crank case cover	1
2	2153-8000	Dust cover A	1
3	2162-5002	Drain pipe	1
4	09066-102	17 O ring	1
5	2168-5000	12 rubber plug	1
6	2171-8000	Left carburetor cover	1
7	2172-8000	Left carburetor cap	1
8	2178-5010	Carburetor cap ring	1
9	2185-8000	Carburetor cover gasket	2
10	0313-0635	Cross recd pan head screw	1
11	0311-0630	Cross recd pan head screw	4
12	0311-0625	Cross recd pan head screw	2
13	0311-0620	Cross recd pan head screw	4
14	2173-8000	Oil tube grommet	1

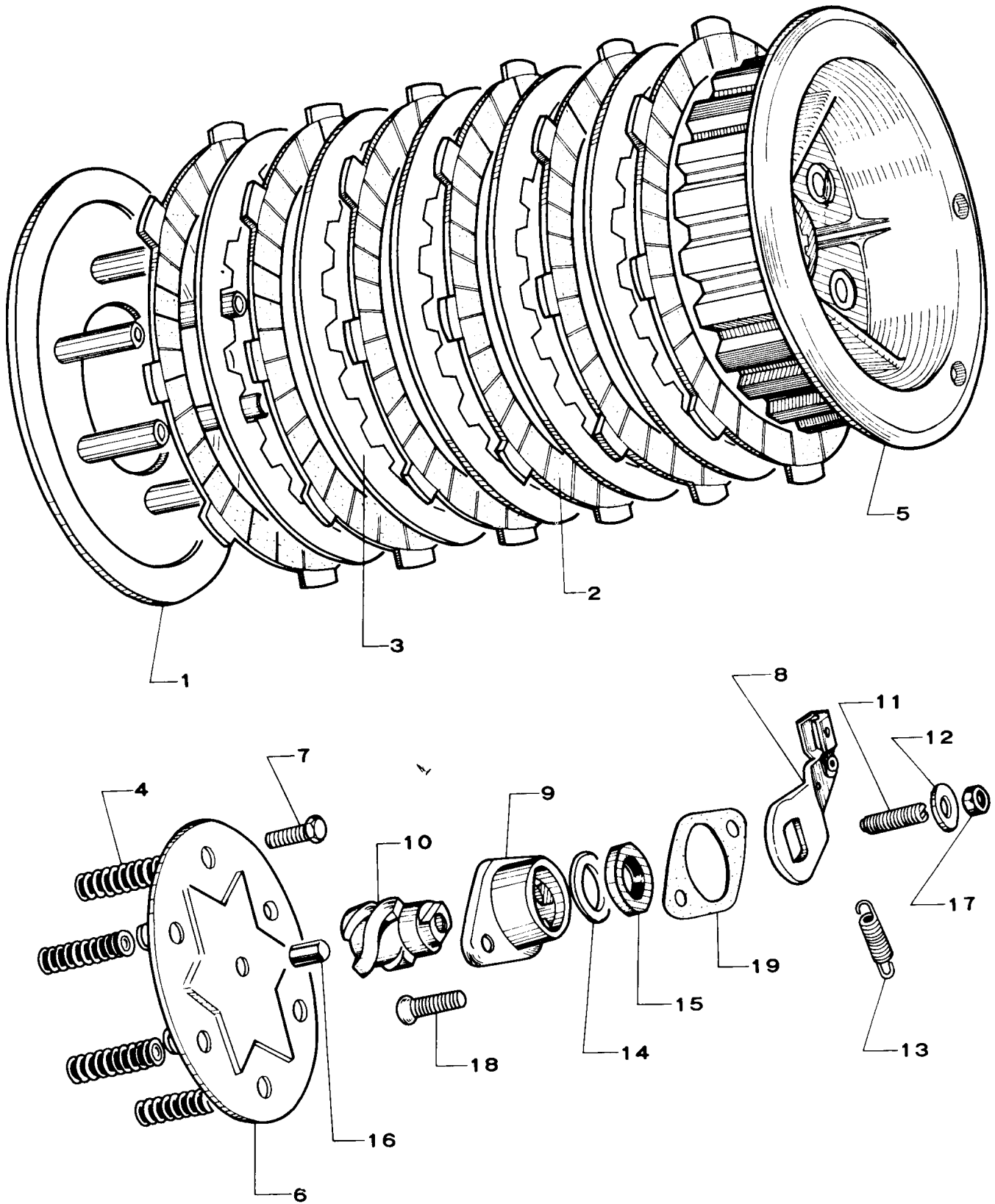


RIGHT CRANK CASE COVER, CARBURETOR COVER

Index No.	Part No.	Part Name	No. Req'd
1	2161-8000	Right crank case cover	1
2	2168-5000	12 rubber plug	1
3	2162-5002	Drain pipe	1
4	09066-102	17 O ring	1
5	2165-8000	Oil filler plug	1
6	09066-107	21 O ring	1
7	2174-8000	Carburetor cap guide	1
8	2176-8000	Carburetor cover	1
9	2177-8000	Carburetor cap	1
10	2178-5010	Carburetor cap ring	1
11	2179-5000	Release screw cap	1
12	2185-8000	Carburetor cover gasket	1
13	09090-112	18 oil seal	1
14	09064-102	6 fiber gasket	1
15	2183-8000	Crank case cover gasket	1
16	09057-101	6 × 10 × 108 dowel	2
17	0313-0665	Cross recd pan head screw	3
18	0313-0635	Cross recd pan head screw	4
19	0313-0640	Cross recd pan head screw	2
20	0311-0625	Cross recd pan head screw	1
21	0311-0620	Cross recd pan head screw	3
22	0111-0610	Hexagon bolt A	1



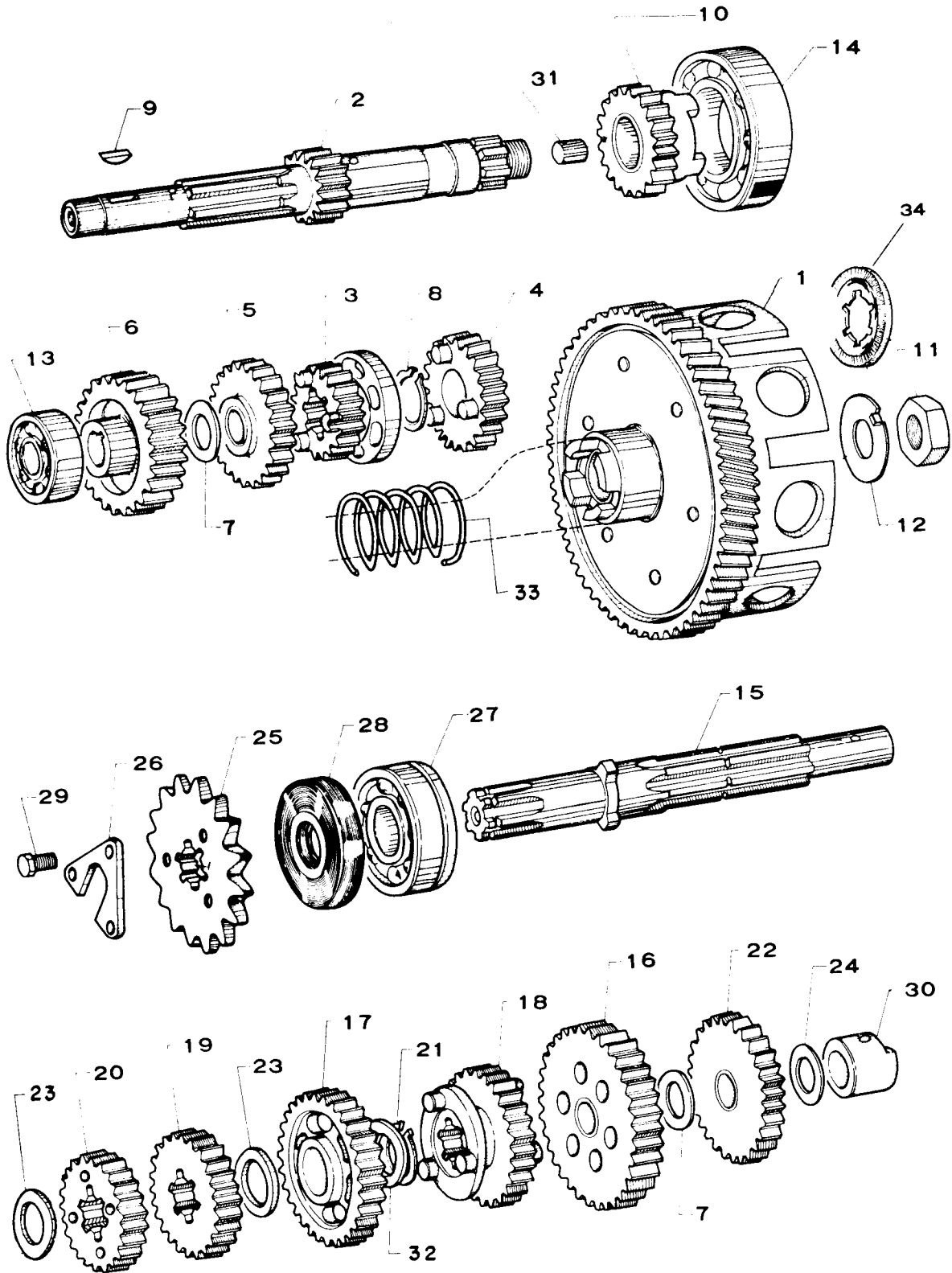
CLUTCH



CLUTCH

Index No.	Part Name	Part Name	No. Req'd
1	2210-8000	Pressure plate comp.	1
2	2214-8000	Friction plate	6
3	2215-8000	Inner plate	5
4	2218-5010	Clutch spring	6
5	2221-8000	Clutch hub	1
6	2227-8000	Set plate comp.	1
7	0113-0512	Hexagon bolt A	6
8	2260-5000	Release arm comp.	1
9	2264-8000	Release screw	1
10	2265-5000	Release push screw	1
11	2267-8000	Release adjust screw	1
11	2267-5000	Release adjust screw	1
12	2268-5000	Release adjust screw washer	1
13	2271-5000	Release arm return spring	1
14	2272-5000	Release guide washer	1
15	09090-102	15 oil seal	1
16	09056-105	6 ×10 A dowel	1
17	0211-0600	Hexagon nut A	1
18	0331-0614	Cross round head screw	2
19	2186-5000	Release screw gasket	1

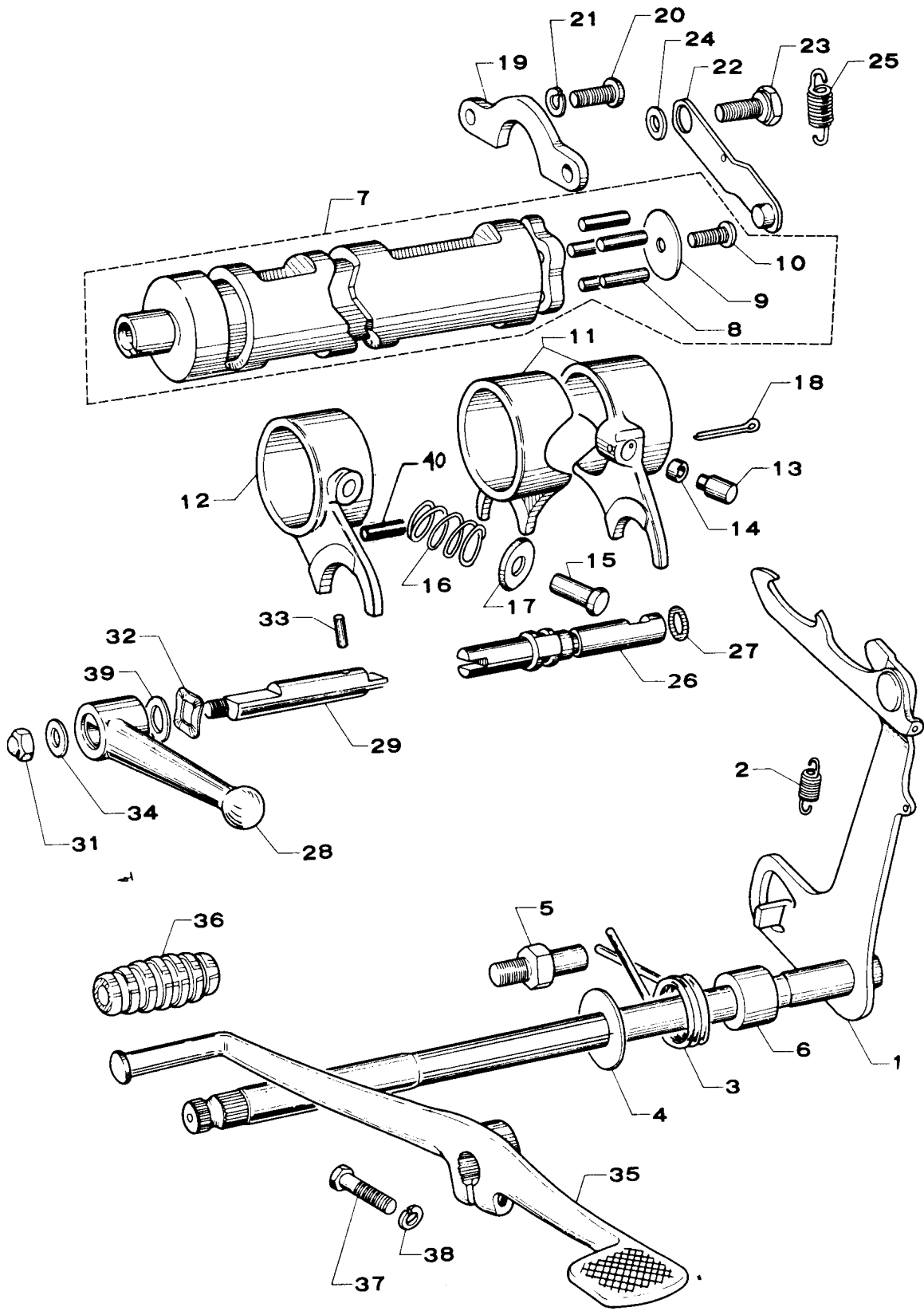
TRANSMISSION



TRANSMISSION

Index No.	Part No.	Part Name	No. Req'd
1	2410-8000	Driven gear complete	1
2	2421-8000	Counter shaft	1
3	2426-8000	2nd gear A	1
4	2431-8000	3rd gear A	1
5	2436-8000	4th gear A	1
6	2441-8001	5th gear A	1
6	2441-8000	5th gear A	1
7	09048-104	15 thrust washer	2
8	09002-105	20 B snap ring	1
9	09067-101	3×15 woodruff key	1
10	2611-8000	Kick: starter gear A	1
11	09021-1-2	16 hexagon nut	1
12	09047-104	16 lock washer	1
13	07-6202-41	Ball bearing	1
14	07-6007-01	Ball bearing	1
15	2446-8001	Drive shaft	1
15	2446-8000	Drive shaft	1
16	2451-8000	1st gear B	1
17	2456-8000	2nd gear B	1
18	2461-8001	3rd gear B	1
19	2466-8001	4th gear B	1
20	2471-8000	5th gear B before 16 B	1
20	2471-8001	5th gear B before 16 G	1
20	2471-8002	5th gear B after 16 G	1
21	09002-105	20 B snap ring	1
22	2616-8000	Kick starter gear B	1
23	2481-8001	Drive shaft spacer	2
24	09048-104	15 thrust washer	1
25	2484-8000	Drive sprocket 16T Std equip on DT – RS – SS	1
	2484-8010	Drive sprocket 15T Std equip on HS	1
	2484-8020	Drive sprocket 14T (must use 2485-8010 set plate)	OPT.
26	2485-8000	Sprocket set plate	1
	2485-8010	Set plate for 14T drive sprocket	OPT.
27	07-6304-61	Ball bearing	1
28	09090-111	20 oil seal	1
29	0111-0610	Hexagon bolt A	3
30	2133-8000	Drive shaft bush	1
31	2477-8000	Rubber plug	1
32	09048-111	20 thrust washer	1
33	2424-8000	Driver gear spring	1
34	09048-107	Spline washer	1

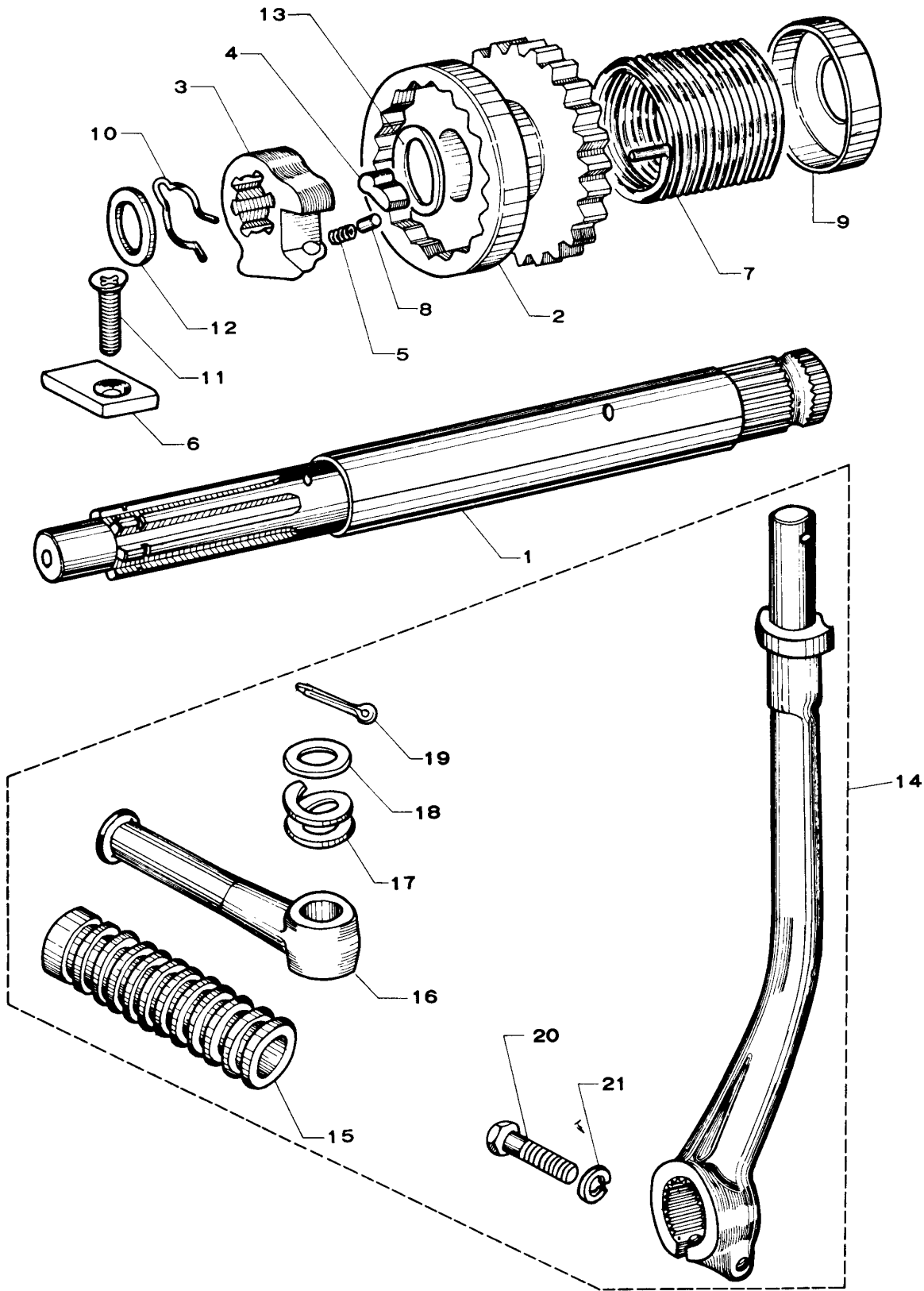
CHANGE PEDAL – SHIFT DRUM – SPORTSHIFT LEVER



CHANGE PEDAL – SHIFT DRUM – SPORTSHIFT LEVER

Index No.	Part No.	Part Name	No. Req'd
1	2510-8001	Change arm complete	1
2	2517-5000	Drum shifter spring	1
3	2551-5000	Change return shaft spring	1
4	2552-3001	Change shaft spring seat	1
5	2553-5000	Change arm stopper pin	1
6	2557-8000	Change shaft spacer	1
7	2502-8000	Shift drum assy Before 16W	1
7	2502-8001	Shift drum assy before 16 G	1
7	2502-8002	Shift drum assy after 16 G	1
8	2522-3200	Shift pin	5
9	2524-8000	Shift pin holder	1
10	0311-0512	Cross recd pan head screw	1
11	2541-8000	Shift fork A	1
12	2542-8000	Shift fork B before 16 B	1
12	2542-8001	Shift fork B after 16B	1
13	2544-8000	Fork guide A	2
14	2545-8000	Fork guide collar	2
15	2546-8000	Fork guide B	1
16	2547-8000	Fork guide spring	1
17	2548-8000	Spring holder	1
18	0551-2525	Split pin	2
19	2549-5001	Drum guide plate	1
20	0311-0614	Cross recd pan head screw	2
21	0432-0615	Spring washer	2
22	2531-8000	Drum stopper arm	1
23	2536-8000	Drum stopper bolt	1
24	09041-112	6 Plane washer	1
25	2538-5000	Drum stopper spring	1
26	2571-8000	Sportshift shaft before 16 G	1
26	2571-8001	Sportshift shaft after 16 G	1
27	09066-106	7 O ring	1
28	2574-8000	Sportshift lever for DT - RS	1
28	2574-8010	Sportshift lever for HS- SS	1
29	2575-8000	Sportshift lever shaft	1
31	09525-104	6 Cap nut	1
32	09046-102	10 wave washer	1
33	09063-104	3×10 dowel	1
34	0411-0613	Plane washer A	1
35	2581-8001	Gear change pedal	1
36	2582-5000	Change pedal rubber	1
37	0113-0620	Hexagon bolt A	1
38	0432-0615	Spring washer	1
39	09041-113	10 Plane washer	1
40	2113-8000	Fork guide pin	1

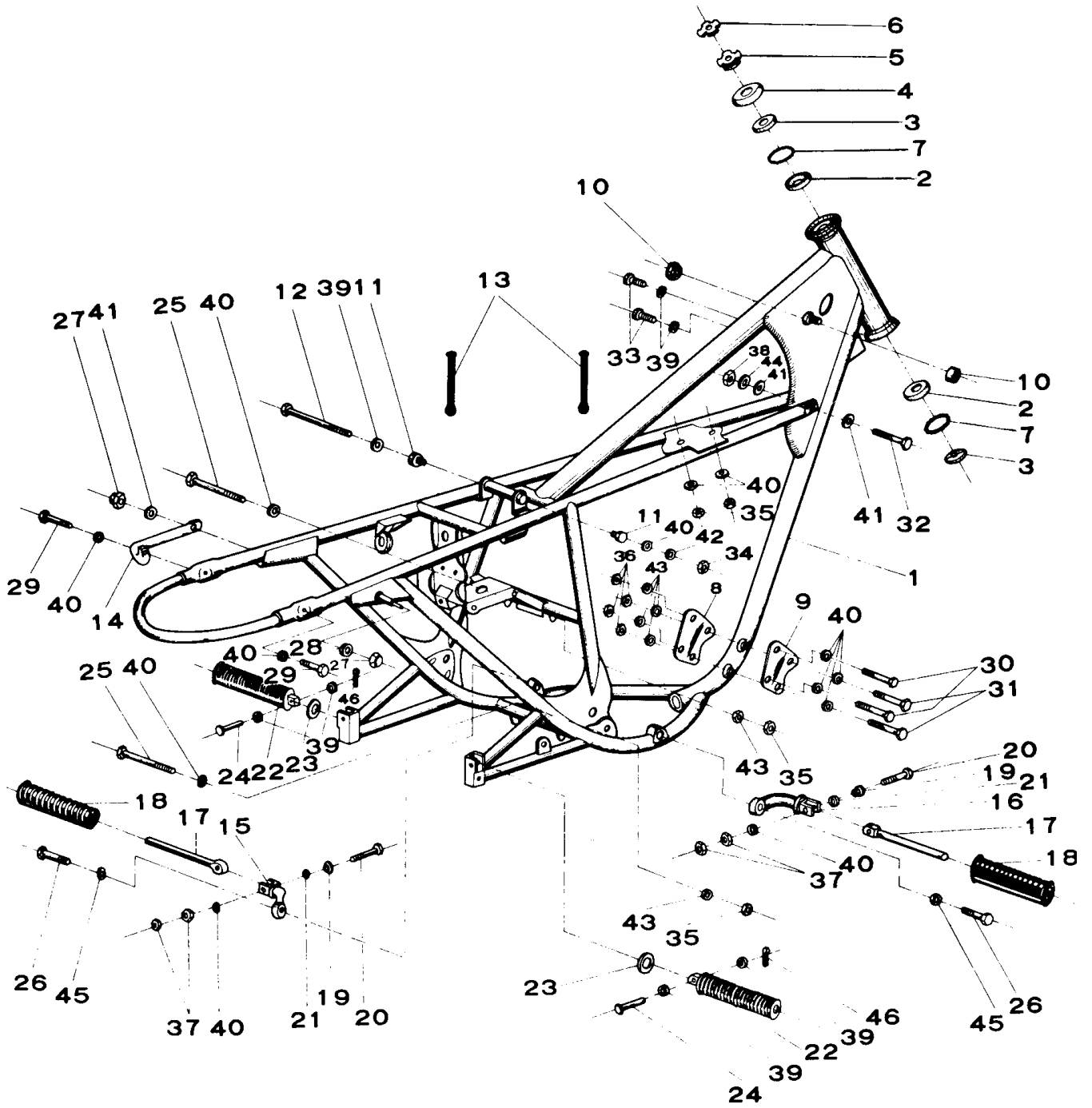
KICK STARTER SHAFT - KICK STARTER ARM



KICK STARTER SHAFT – KICK STARTER ARM

Index No.	Part No.	Part Name	No. Req'd
1	2621-8000	Kick starter shaft	1
2	2631-8000	Kick starter gear C	1
3	2632-8000	Kick starter ratchet arm	1
4	2633-8000	Kick starter ratchet	1
5	2634-8000	Kick starter ratchet spring	1
6	2635-8000	Kick starter ratchet stopper	1
7	2636-8000	Kick starter return spring	1
8	2642-8000	Ratchet pole	1
9	2643-8000	Return spring holder	1
10	09008-101	16B circlip	1
11	0331-0612	Cross recd flat head screw	1
12	09048-103	12 thrust washer	1
13	09048-105	16 thrust washer	1
14	2680-8000	Kick starter arm assy	1
15	2683-3011	Kick starter pedal rubber	1
16	2690-3010	Kick starter pedal	1
17	2684-5000	Kick starter pedal spring	1
18	09041-107	10 Plane washer	1
19	0551-3018	Split pin	1
20	0113-0625	Hexagon bolt A	1
21	0431-0615	Spring washer	1

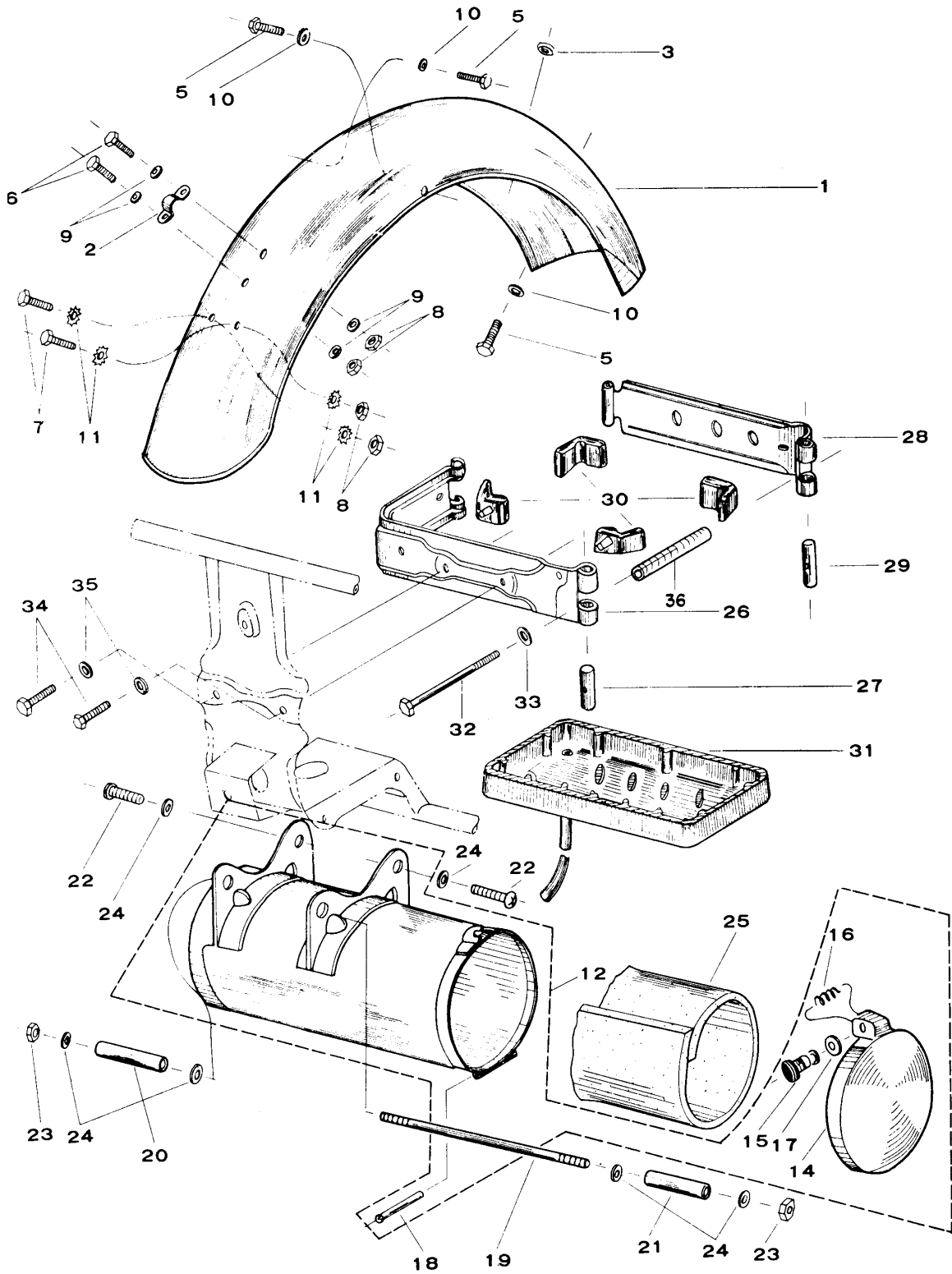
FRAME - FOOT RESTS



FRAME – FOOT RESTS

Index No.	Part No.	Part Name	No. Req'd
1	3110-8010-CBK	Frame comp. after 16K	1
1	3110-8000-CBK	Frame complete	1
2	3311-8000	Outer race	2
3	3313-8000	Inner race	2
4	3319-8000	Race cap	1
5	3322-5000	Race adjuster	1
6	3321-5000	Race lock nut	1
7	0611-0104	Ball	38
8	3365-8000-CBK	Left engine bracket	1
9	3366-8000-CBK	Right engine bracket	1
10	3416-8000	Front tank cushion rubber	2
11	3417-5000	Rear tank cushion rubber	2
12	3419-5000	Tank mounting bolt	1
13	3424-3010	Wire harness strap	2
14	3428-8000	Frame handle for DT	1
14	3428-8010	Frame handle for HS	1
15	3715-8000	Left foot rest	1
16	3716-8000	Right foot rest	1
17	3711-5010	Foot rest bar	2
18	3721-3002	Foot rest rubber	2
19	3722-5010	Foot rest mounting spacer	2
20	3723-5010	Foot rest mounting bolt	2
21	09546-104	10 wave washer	2
22	3702-5000	Rear foot rest assy DT – RS	2
	3702-8010	Rear foot rest assy HS – SS	2
	3764-8010	Foot rest bar spacer HS – SS	2
23	3762-5000	Rear foot rest washer	2
24	3763-5000	Rear foot rest pin	2
25	09511-101	8×108 hexagon bolt	2
26	09511-127	12×50 hexagon bolt	2
27	09525-105	10 cap nut	2
28	09541-107	10 Plane washer	1
29	0132-0816	Hexagon bolt C	2
30	0124-0845	Hexagon bolt B	2
31	0124-0856	Hexagon bolt B	2
32	0122-1065	Hexagon bolt B	1
33	0311-0610	Cross recd pan head screw	2
34	0211-0600	Hexagon nut A	1
35	0211-0800	Hexagon nut A	4
36	0212-0800	Hexagon nut A	4
37	0231-0800	Hexagon nut C	4
38	0212-1000	Hexagon nut A	1
39	0411-0613	Plane washer A	7
40	0411-0818	Plane washer A	13
41	0411-1022	Plane washer A	3
42	0431-0615	Spring washer	1
43	0431-0820	Spring washer	6
44	0431-1025	Spring washer	1
45	0432-1230	Spring washer	2
46	0552-1612	Split pin	2

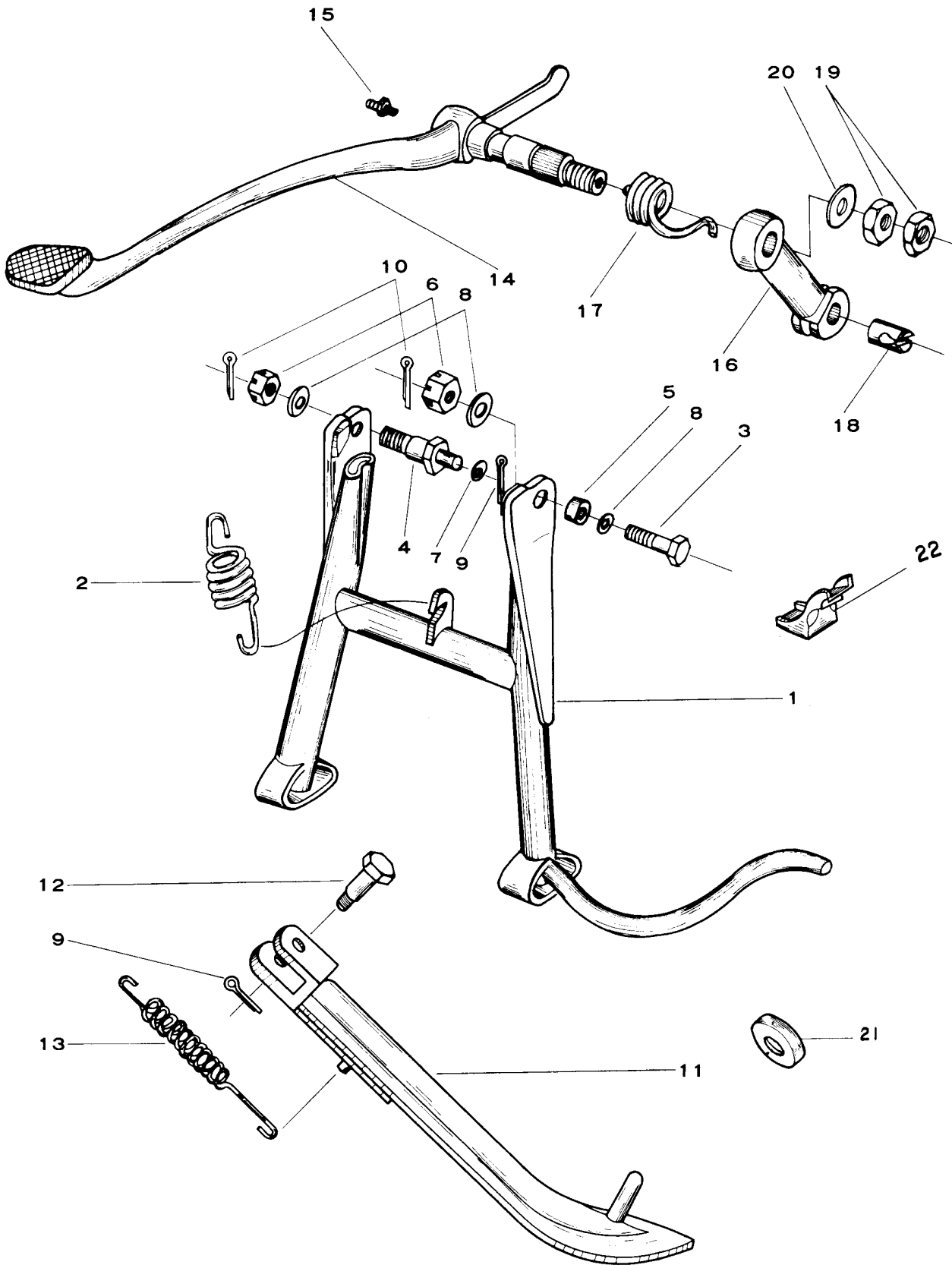
REAR FENDER - TOOL BOX



REAR FENDER – TOOL BOX

Index No.	Part No.	Part Name	No. Req'd
1	3260-8000-XCI	Rear fender complete	1
1	3260-8040-XCI	Rear fender comp. after serial 16 K	1
2	3388-8000	Rear fender clamp	1
3	3412-3000	Rear fender grommet	1
5	0111-0812	Hexagon bolt A	3
6	0112-0614	Hexagon bolt A	2
7	0111-0614	Hexagon bolt A	2
8	0211-0600	Hexagon bolt A	4
9	0411-0613	Plane washer A	4
10	0411-0818	Plane washer	3
11	0451-0611	External toothed washer	4
12	3301-8000-FAR	Tool box assembly	1
12	3301-8000-CBK	Tool box assembly	1
12	33 01-8010-XCI	Tool box assy after serial 16 K	1
14	3347-8000-FAR	Tool box cap	1
14	3347-8000-CBK	Tool box cap	1
14	3347-8010-XCI	Tool box cap after serial 16 K	1
15	3348-8000	Tool box button	1
16	3349-8000	Tool box spring	1
17	6832-3001	Circlip	1
18	0552-2540	Split pin	1
19	3444-8000	Cover bolt	1
19	09511-143	6×144 hex bolt after 16 K	1
20	3445-8000	Left cover spacer	1
20	3445-8010	Left cover spacer after serial 16K	1
21	3446-8000	Right cover spacer	1
22	0311-0610	Cross recd pan head screw	2
23	0211-0600	Hexagon nut A	2
24	0411-0613	Plane washer A	6
25	3427-8000	Tool set pad	1
26	3342-8000	Battery bracket	1
26	3342-8010	Battery bracket after serial 16 K	1
27	3343-8000	Battery bracket pin	1
28	3353-8000	Battery band	1
28	3353-8020	Battery band after 16 K	1
29	3344-8000	Battery band pin	1
30	3345-8000	Battery pad	4
31	3346-8000	Battery seat	1
31	3346-8010	Battery seat after serial 16K	1
32	09511-128	6×71 hexagon bolt	1
33	0411-0613	Plane washer A	2
34	0111-0610	Hexagon bolt A	2
35	0431-0615	Spring washer	2
36	3337-8000	Battery band spacer	2

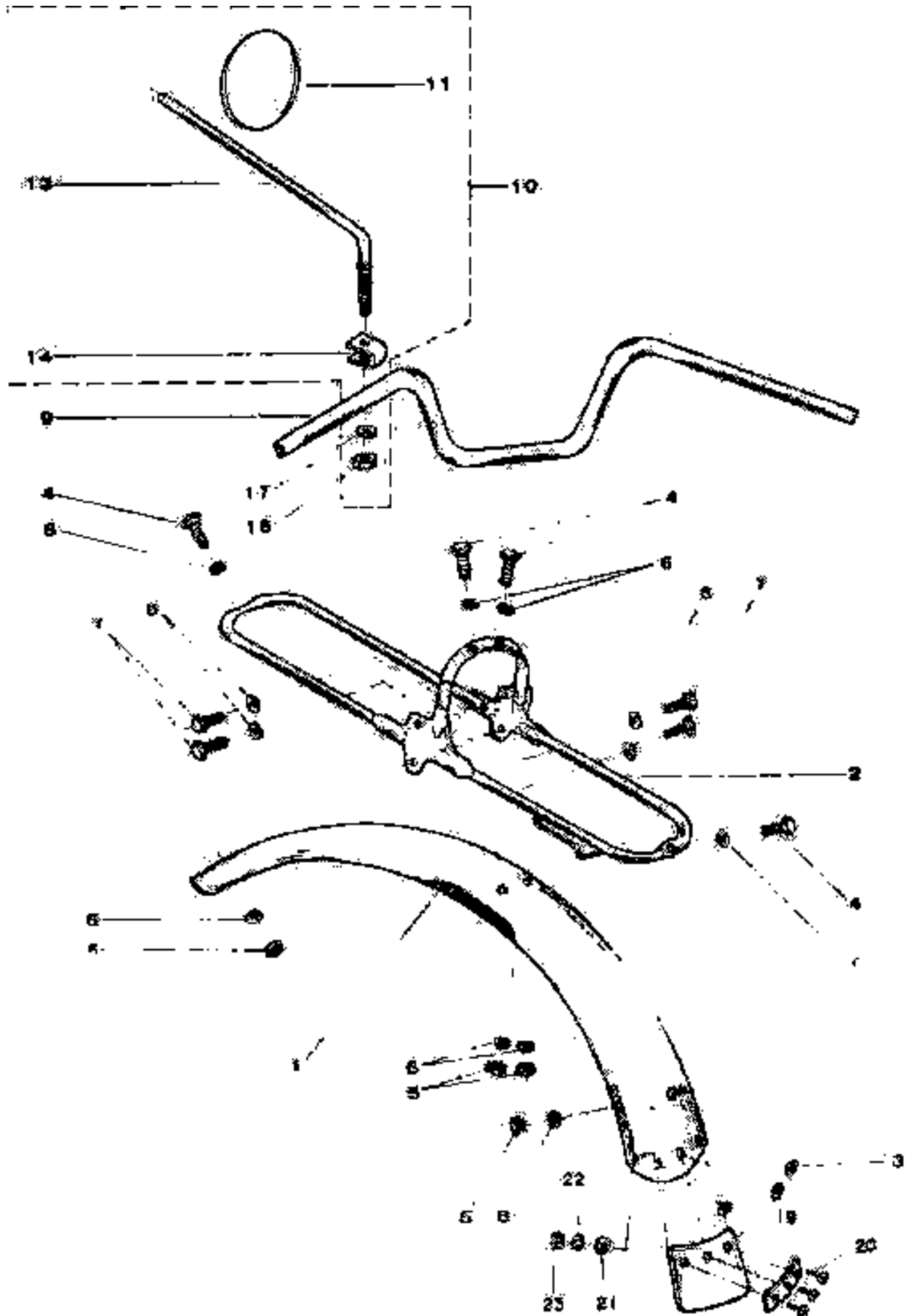
MAIN STAND-SIDE STAND-BRAKE PEDAL



MAIN STAND – SIDE STAND – BRAKE PEDAL

Index No.	Part No.	Part Name	No. Req'd
1	3610-8000-CBK	Main stand comp. DT & RS	1
1A	3610-8010	Main stand comp. HS & SS	1
2	3624-8000	Main stand spring	1
3	3625-8000	Left stand bolt	1
4	3626-8000	Right stand bolt	1
5	3627-8000	Main stand spacer	1
6	09522-103	10 hexagon nut	2
7	0411-0818	Plane washer A	1
8	0411-1022	Plane washer A	3
9	0551-2018	Split pin	1
10	0551-2025	Split pin	1
10	09521-106	10 hexagon nut	1
11	3650-8000-CBK	Side stand comp.	1
12	3662-8000	Side stand bolt	1
13	3663-8000	Side stand spring	1
14	3810-8000-XCI	Brake pedal comp.	1
15	4224-3110	Grease nipple	1
16	3811-8000	Brake pedal arm	1
17	3821-8000	Brake pedal spring	1
18	3822-8000	Brake pedal pin	1
19	0231-1000	Hexagon nut C	1
20	0411-1022	Plane washer A	1
21	3335-8000	Stand rubber stopper	1
22	3336-8000	Stand stopper bracket	1

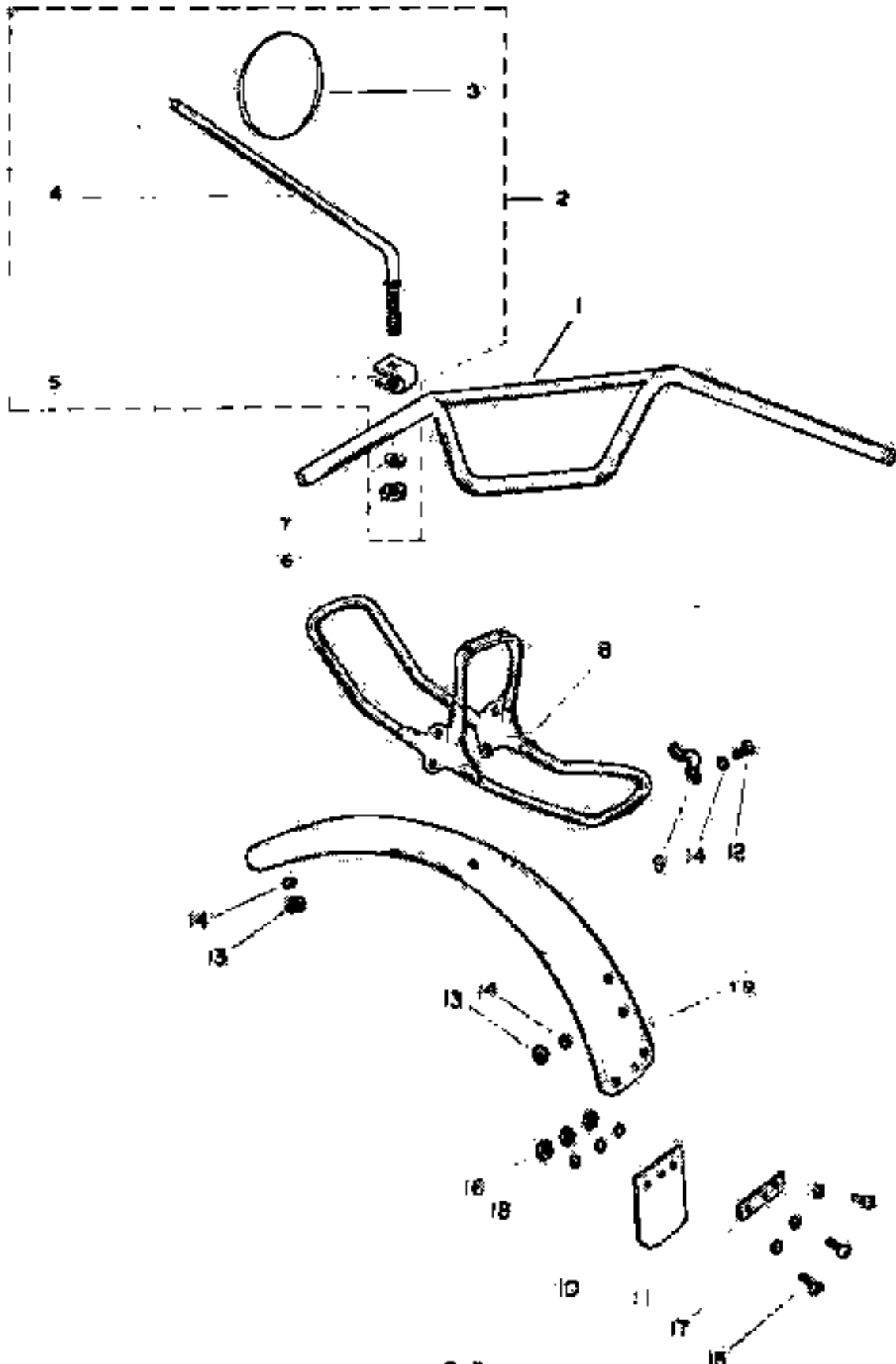
FRONT FENDER—HANDLE BAR—BACK MIRROR FOR DT AND RS



FRONT FENDER—HANDLE BAR—BACK MIRROR FOR DT AND RS

Index No.	Part No.	Part Name	No. Req'd
Front Fender Before Serial 16 K			
1	4411-8000 XCI	Front fender	1
2	4425-8000 XCI	Front fender stay	1
3	4435-8000	Front fender plug	3
4	0112-0614	Hexagon bolt A	4
5	0211-0600	Hexagon nut A	4
6	0411-0613	Plane washer A	8
Front Fender After Serial 16 K			
1	4411-8030	Front fender	
	4412-8010	Fender bracket	1
	4423-8010	Fender stay A	1
	4424-8010	Fender stay B	1
	0112-0614	Hexagon bolt A	7
	0411-0613	Plane washer A	7
Mounting Bolts And Mud Flap			
7	0111-0812	Hexagon bolt A	4
8	0431-0820	Spring washer	4
18	4452-5010	Front fender mud band	1
19	4451-5010	Front fender mud flap	1
20	0311-0510	Pan head screw	3
21	0411-0512	Plane washer A	3
22	0431-0513	Spring washer	3
23	0211-0500	Hexagon nut A	3
Handle Bar			
9	4511-8000	Up handle bar	1
10	4601-8000	Rear view mirror assembly	1
11	4610-8000	Rear view mirror head	1
13	4621-8000	Rear view mirror stay	1
14	4622-8000	Rear view mirror clamp	1
16	0211-0800	Hexagon nut A	1
17	0421-0816	Plane washer B	1

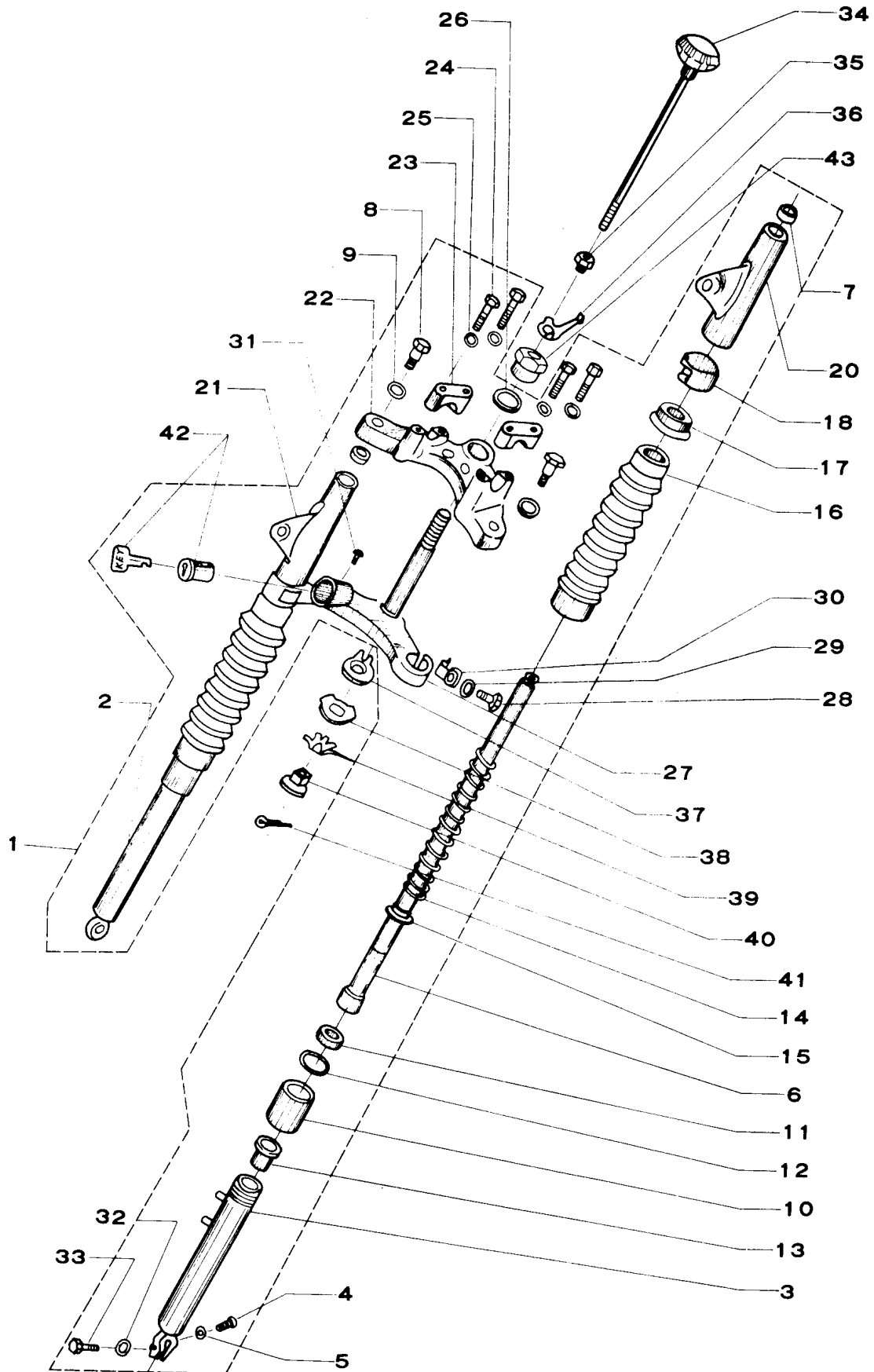
FRONT FENDER—HANDLE BAR—BACK MIRROR FOR HS AND SS



FRONT FENDER—HANDLE BAR—BACK MIRROR FOR HS AND SS

Index No.	Part No.	Part Name	No. Req'd
Front Fender Before Serial 16K			
19	4411-8010 XCI	Front fender - Not available	1
8	4425-8010 XCI	Front fender stay	1
9	4428-8010	Front fender clamp	2
12	0112-0614	Hexagon bolt A	6
13	0211-0600	Hexagon nut	6
14	0411-0613	Plane washer A	6
Front Fender After Serial 16K			
19	4411-8011 XCI	Front fender	1
	4412-8020	Front fender bracket	1
	4423-8020	Front fender stay A	1
	4424-8020	Front fender stay B	1
	0112-0614	Hexagon bolt A	6
	0411-0613	Plane washer A	6
Mounting Bolt And Mud Flap			
	0431-0820	Spring washer	4
	0111-0812	Hexagon bolt A	4
10	4451-5010	Front fender mud flap	1
11	4452-5010	Front fender mud flap band	1
15	0311-0510	Pan head screw	3
16	0211-0500	Hexagon nut A	3
17	0411-0512	Plane washer A	3
18	0432-0513	Spring washer	3
Handle Bar			
1	4511-8020	UP handle bar	1
2	4601-8000	Rear view mirror	1
3	4610-8000	Rear view mirror head	1
4	4621-8000	Rear view mirror stay	1
5	4622-8000	Rear view mirror clamp	1
6	0211-0800	Hexagon nut A	1
7	0421-0816	Plane washer B	1

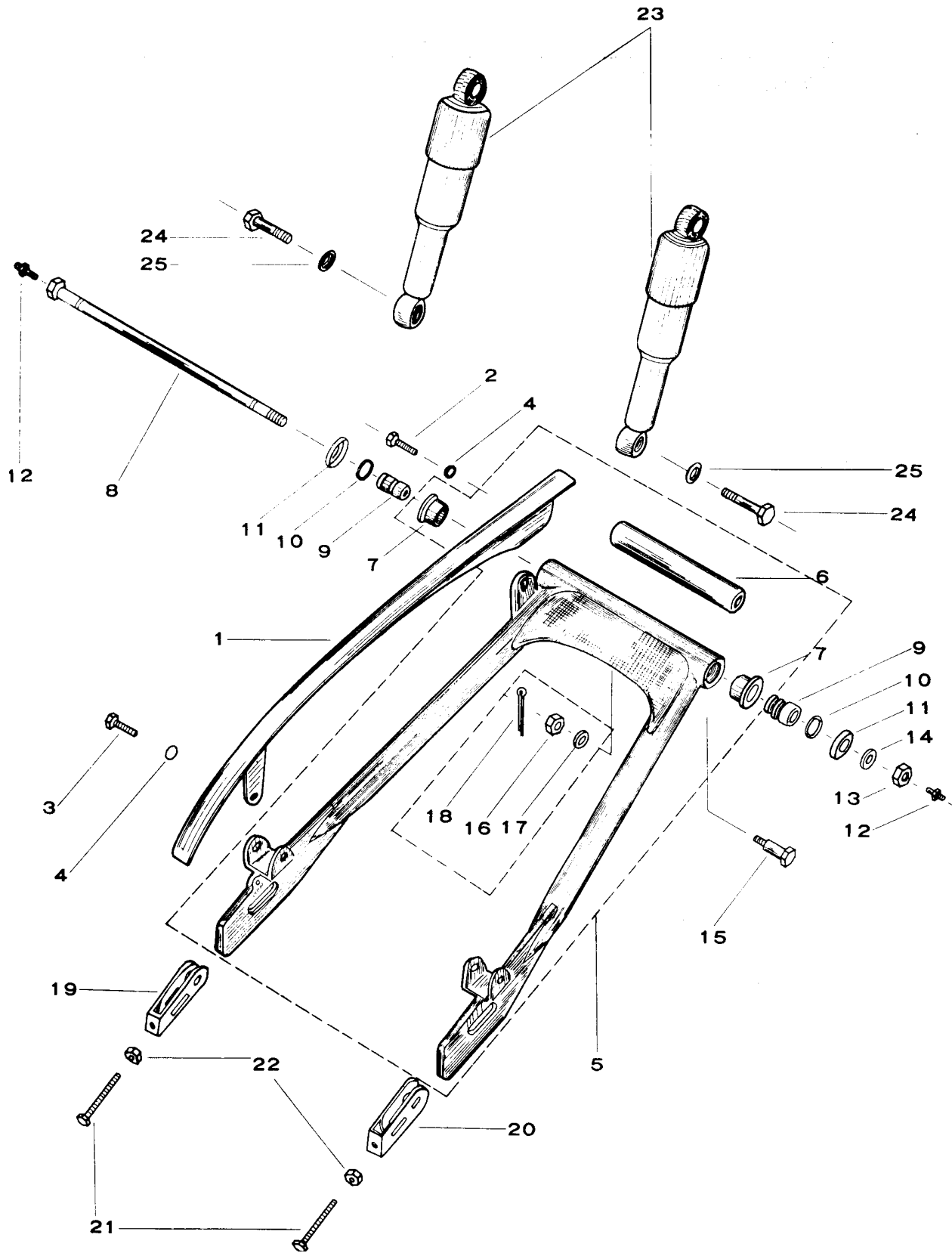
FRONT FORK - STEERING DAMPER



FRONT FORK – STEERING DAMPER

Index No.	Part No.	Part Name	No. Req'd
1	4100-8000-FAR	Front fork assy for DT & HS	1
1	4100-8000-CBK	Front fork assy for DT & HS	1
	4100-8000-MS	Front fork assy for RS & SS	1
2	4111-8000-MS	Outer tube A	1
3	4131-8000-MS	Outer tube B	1
4	09531-101	4 × 7 cross recd pan head screw	2
5	4118-5000	Drain plug gasket	2
6	4113-8000	Inner tube A	2
7	4123-8000	Inner tube packing	2
8	4124-8000	Upper bridge bolt	2
9	4125-8000	Upper bridge washer	2
10	4114-8000	Outer tube nut	2
11	09590-115	32 oil seal	2
12	09566-107	40 O ring	2
13	4116-8000	Cushion slide metal	2
14	4121-8000	Front cushion main spring	2
15	4122-8000	Main spring guide	2
16	4177-8000	Front fork boot	2
17	4178-8000	Boot holder upper	2
18	4174-8000	Fork cover guide	2
20	4171-8000-FAR	Left fork cover for DT & HS	1
20	4171-8000-CBK	Left fork cover for DT & HS	1
	4171-8000-MS	Left fork cover for RS & SS	1
21	4181-8000-FAR	Right fork cover for DT & HS	1
21	4181-8000-CBK	Right fork cover for DT & HS	1
	4181-8000-MS	Right fork cover for RS & SS	1
22	4161-8000	Upper bridge	1
23	4162-8000	Handle holder	2
24	0133-0836	Hexagon bolt C	4
25	0421-0612	Plane washer B	4
26	4165-5000	Steering head washer	1
27	4151-8000-CBK	Lower bridge	1
28	09511-138	10 × 30 hexagon bolt	2
29	0431-1025	Spring washer	1
30	4153-8000	Wire clamp	1
31	09535-102	3.5 × 4.8 drive screw	1
32	0431-0820	Spring washer	1
33	09511-116	8 × 25 hexagon bolt	1
34	4311-8000	Steering damper knob	1
35	4312-8000	Damper knob guide	1
36	4313-8000	Damper lock spring	1
37	4314-8000	Damper facing	2
37	4315-8000	Friction plate	1
38	4318-8000	Damper pressure plate	1
39	4319-8000	Steering damper spring	9
40	4321-8000	Damper spring guide	1
41	0551-1612	Split pin	1
42	3433-8000	Handle lock	1
43	4164-8000	Steering head nut	1

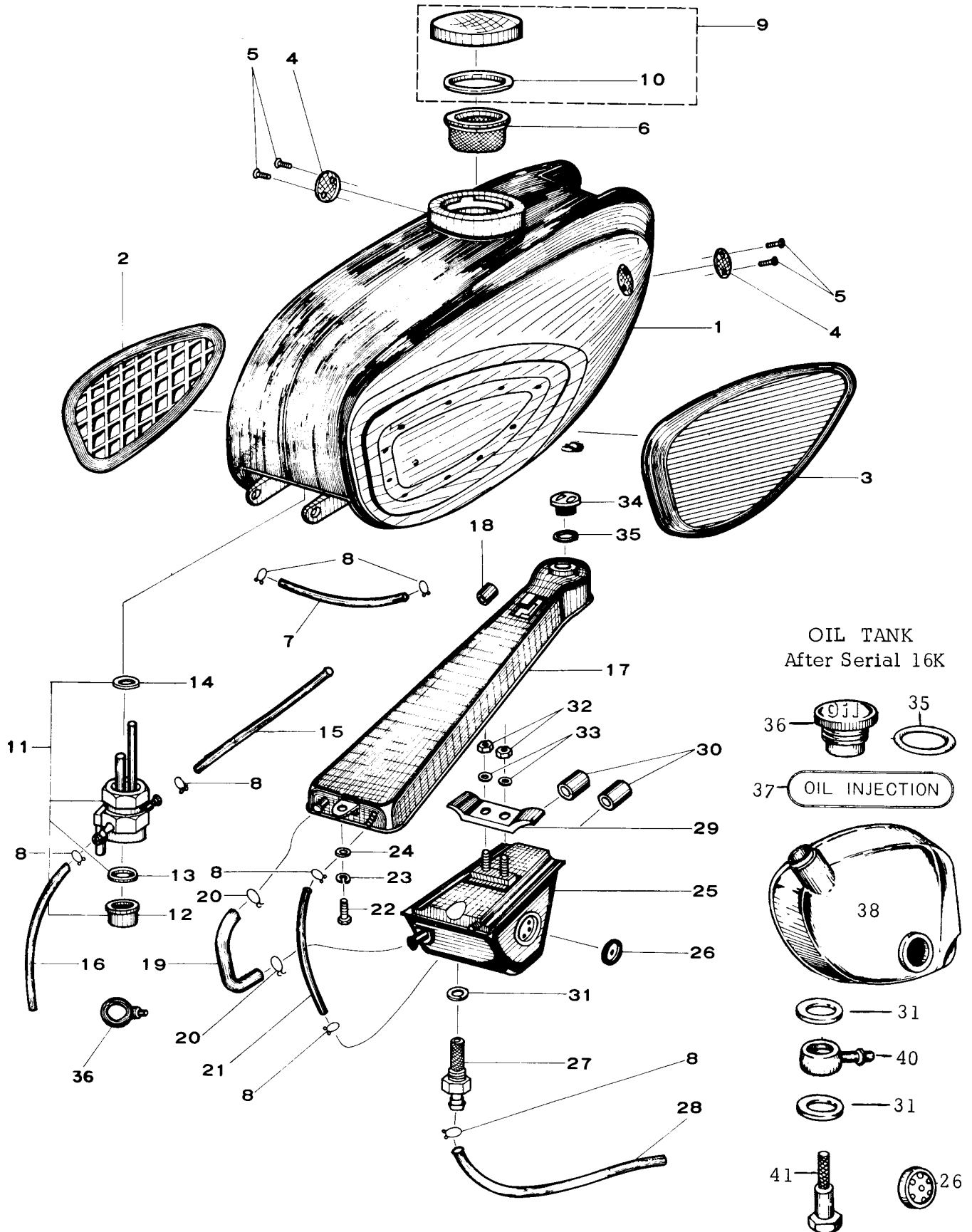
REAR FORK - REAR CUSHIONS



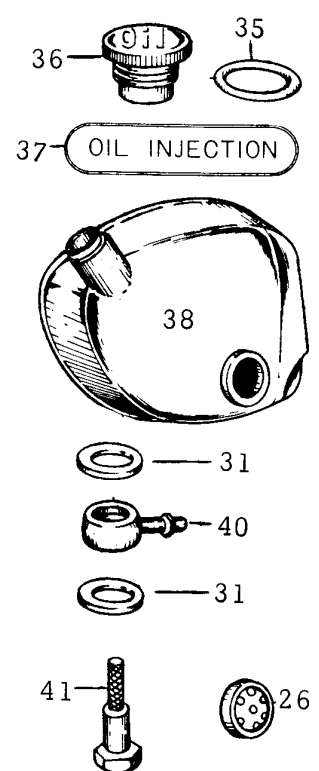
REAR FORK-REAR CUSHIONS

Index No.	Part No.	Part Name	No. Req'd
1	4751-8000-MS	Half chain case	1
2	0112-0608	Hexagon bolt A	1
3	0112-0614	Hexagon bolt A	1
4	0411-0613	Plane washer A	2
5	4810-8000-CBK	Rear fork complete	1
5	4810-8020-CBK	Rear fork complete after 16 M	1
6	4857-8000	Rear fork spacer	1
6	4857-8010	Rear fork spacer after 16 K	1
7	4851-8000	Rear fork bush	2
7	4851-8010	Rear fork bush after 16 K	2
8	3414-8000	Pivot shaft	1
8	3414-8010	Pivot shaft after 16 K	1
9	4859-8000	Rear fork collar	2
10	09566-106	18 O ring	2
11	4856-8000	Fork pivot cap	2
12	4224-3110	Grease nipple	2
13	0252-1400	Hexagon nut E	1
14	09541-109	14 Plane washer	1
15	4855-8000	Torque rod bolt	1
16	09522-101	8 Hexagon slotted nut	1
17	0411-0818	Plane washer A	1
18	0551-2018	Split pin	1
19	4862-8000	Left chain adjuster discontinued after 16 M	1
20	4863-8000	Right chain adjuster	1
20	4863-8000	Right chain adjuster after 16 M	2
21	4864-8000	Chain adjuster bolt	2
22	0222-0600	Hexagon nut B	2
23	4901-8000-FAR	Rear cushion assy for DT & HS	2
23	4901-8000-CBK	Rear cushion assy for DT & HS	2
23	4901-8000-MS	Rear cushion assy for RS & SS	2
24	0124-1032	Hexagon bolt B	2
25	0411-1022	Plane washer A	2

FUEL TANK - FUEL COCK - OIL TANK



OIL TANK
After Serial 16K



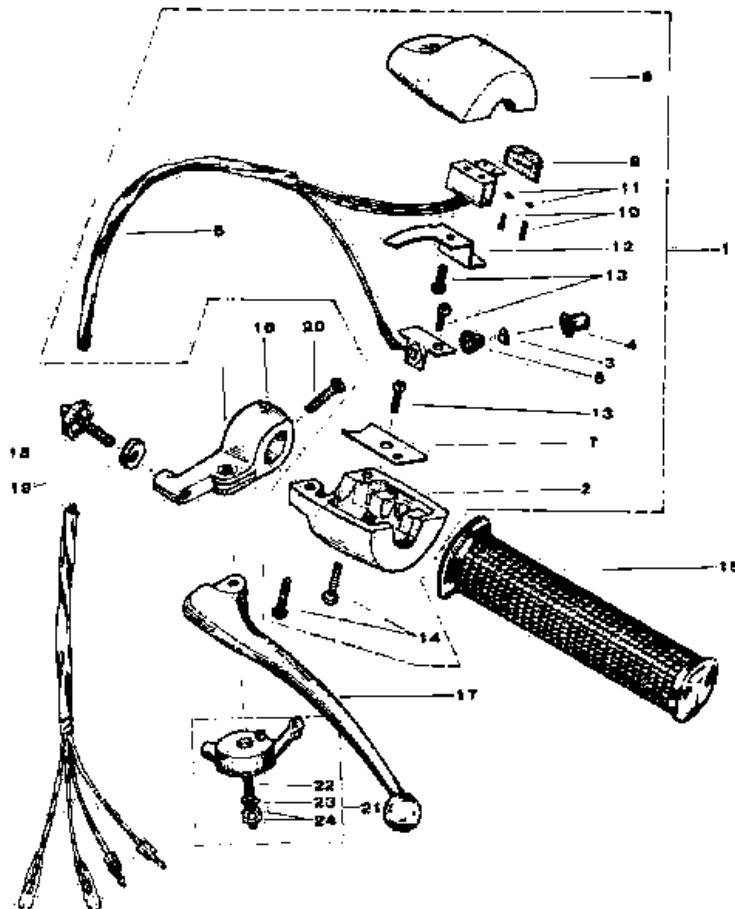
FUEL TANK – FUEL COCK – OIL TANK

Index No.	Part No.	Part Name	No. Req'd
1	5110-8000 FAR	Fuel tank comp - Red before 16K	1
	5110-8000 CBK	Fuel tank comp - Black before 16K	1
	5110-8010 FAR	Fuel tank comp - Red	1
	5110-8010 FAB	Fuel tank comp - Blue	1
	5110-8010 FBG	Fuel tank comp - Gold	1
	5110-8010 FDG	Fuel tank comp - Green	1
	5110-8010 FOG	Fuel tank comp - Gold	1
	5110-8010 PSW	Fuel tank comp - White	1
	5166-8200	Right tank stripe for MII	1
	5167-8200	Left tank stripe for MII	1
2	5141-8000	Left knee grip	1
3	5142-8000	Right knee grip	1
4	5143-8000	Fuel tank emblem	2
5	0311-0306	Pan head screw	4
	5150-8200	Fuel tank emblem base for MII	2
	5151-8200	Fuel tank emblem label for MII	2
6	5145-8000	Fuel tank filter	1
7	5186-8000	Tank connecting tube	1
8	5187-3004	Fuel tube clip	8
9	5102-8000	Tank cap with gasket	1
	5170-8200	Tank cap label for MII	1
10	5171-8000	Tank cap gasket	1
11	5103-8000	Fuel cock assembly	1
12	5182-8000	Fuel strainer cup	1
13	5183-8000	Strainer cup gasket	1
14	5184-8000	Fuel cock gasket	1
15	5173-8000	Left fuel tube	1
16	5174-8000	Right fuel tube	1
17	5510-8000 CBK	Oil tank comp - Black before serial 16K	1
38	5510-8010 FAR	Oil tank comp - Red	1
38	5510-8010 FAB	Oil tank comp - Blue	1
38	5510-8010 FBG	Oil tank comp - Gold	1
38	5510-8010 FDG	Oil tank comp - Green	1
38	5510-8010 FOG	Oil tank comp - Gold	1
38	5510-8010 PSW	Oil tank comp - White	1
18	5511-8000	Oil tank pad disc't'd after serial 16K	1
19	5512-8000	Oil tank connecting tube disc't'd aft 16K	1
20	5513-8000	Oil connecting tube clip disc't'd after 16K	2
21	5514-8000	Breather tube disc't'd after 16K	1
22	0111-0610	Hex bolt A disc't'd after 16K	1
23	0431-0615	Spring washer disc't'd after 16K	1
24	0411-0613	Plain washer A disc't'd after 16K	1
25	5530-8000	Sub oil tank disc't'd after serial 16K	1
26	5531-5010	Oil gauge	1
27	5532-8000	Oil tank filter	1
41	5532-5010	Oil tank filter after serial 16K	1
28	5533-8000	Oil tube C	1
	5533-8010	Oil tube C after serial 16K	1
40	5534-5010	Union connection after serial 16K	1
29	5536-8000	Sub oil tank bracket	1
	3338-8010	Oil tank bracket after serial 16K	1
30	5537-8000	Sub oil tank pad	2
	3339-8010	Oil tank pad after serial 16K	1
31	09564-101	10 fiber gasket	1
31	09564-101	10 fiber gasket after serial 16K	2
32	0211-0600	Hexagon nut A	2
	0211-0800	Hexagon nut A after serial 16K	1
33	0411-0613	Plain washer A	2
	0411-0818	Plain washer A after serial 16K	1
	0431-0820	Spring washer after serial 16K	1
34	5560-8000	Oil tank cap complete	1
36	5560-5010	Oil tank cap comp - after serial 16K	1
35	09566-108	27 O ring	1
37	9116-8000	Oil injection label after serial 16K	1

LEFT HANDLE GRIP CLUTCH LEVER STARTER LEVER

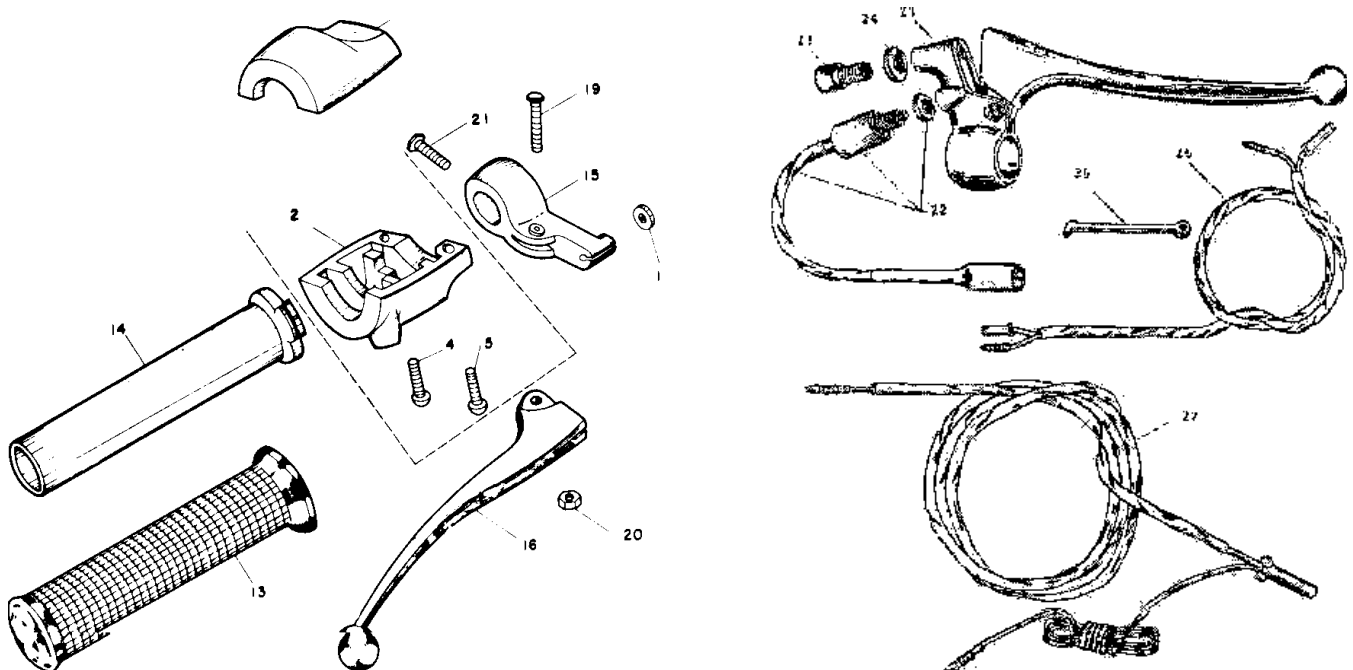
Index No.	Part No.	Part Name	No. Rqd
-----------	----------	-----------	---------

1	6105-8000	Left case assy	1
2	6111-8000	Left switch case	1
3	6112-3100	Horn switch contact plate	1
4	6113-3100	Horn switch button	1
5	6114-3100	Horn switch spring	1
6	6115-8000	Left handle wire	1
7	6116-8000	Left wire clamp	1
8	6121-8000	Left switch case cover	1
9	6119-8000	Dipper switch knob	1
10	0361-0206	Pan head screw	2
11	0431-0205	Spring washer	2
12	6117-8000	Dipper switch clamp	1
13	0311-0306	Cross recd pan head screw	3
14	0311-0614	Cross recd pan head screw	2
15	6123-8000	Left handle grip DT & HS	1
15	6123-5010	Left handle grip for RS & SS	1
16	6125-8000	Left lever holder	1
17	6122-8000	Clutch lever	1
18	6126-8000	Wire adjuster	1
19	6127-8000	Wire adjuster lock nut	1
20	0111-0625	Hexagon bolt A	1
21	6103-8000	Starter lever assy	1
22	09511-131	6×45 hexagon bolt	1
23	0421-0612	Plane washer B	1
24	0231-0600	Hexagon nut C	2



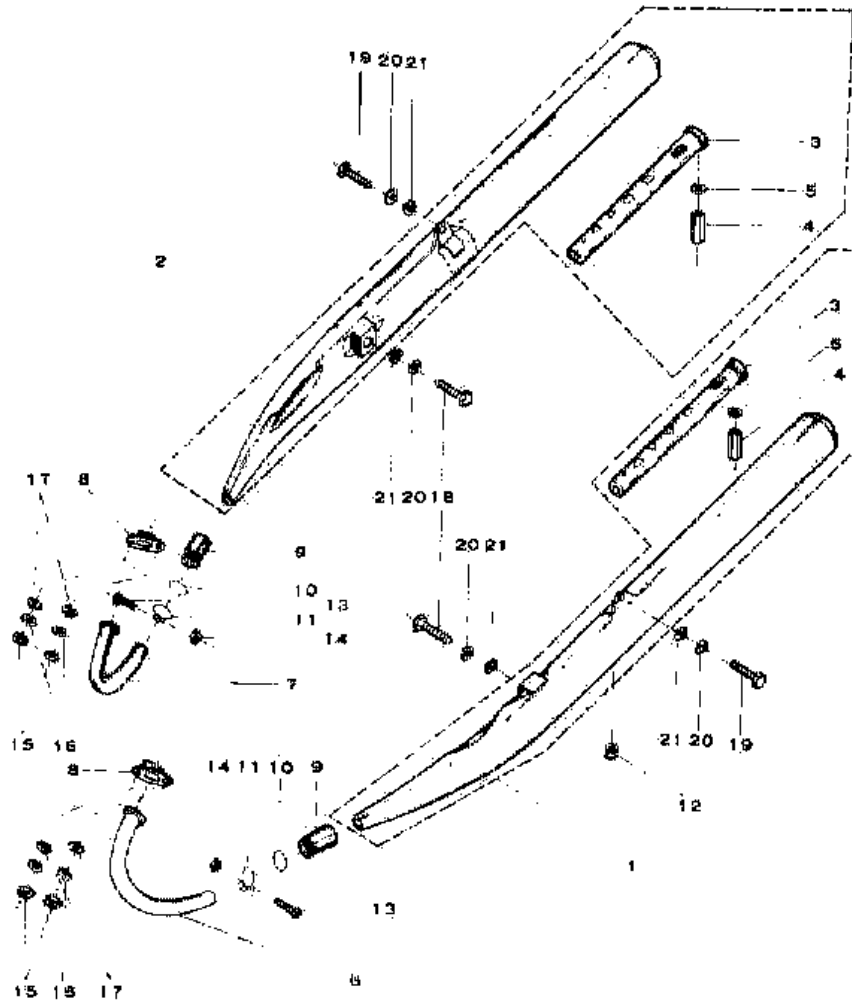
RIGHT HANDLE GRIP – FRONT STOP SWITCH

Index No.	Part No.	Part Name	No. Req'd
PARTS FOR BRIDGESTONE 175's			
1	6107-8030	Right case assembly	1
2	6140-8000	Right switch case comp	1
3	6151-8000	Right switch case cover	1
4	0311-0616	Cross recd pan head screw	1
5	0311-0614	Cross recd pan head screw	1
13	6153-8000	Right handle grip	1
14	6154-8000	Throttle grip pipe	1
15	6149-8000	Right lever holder	1
16	6152-8000	Front brake lever	1
17	6126-8000	Wire adjuster	1
18	6127-8000	Wire adjuster lock nut	1
19	09511-132	6×25 hexagon bolt	1
20	0221-0600	Hexagon nut B	1
21	0111-0625	Hexagon bolt A	1
PARTS FOR BRIDGESTONE MII's			
	6104-8200	Throttle grip assembly	1
21	6149-8200	Right lever holder	1
22	6134-8200	Front stop switch	1
23	6126-8200	Wire adjuster	1
24	6127-9000	Wire adjuster lock nut	2
2	6141-8010	Right switch case	1
3	6151-8010	Right switch case cover	1
13	6153-5010	Right handle grip	1
14	6154-8000	Throttle grip pipe	1
4	0311-0614	Pan head screw	1
5	0311-0616	Pan head screw	1
25	3424-3010	Wire harness stopper	2
26	8836-8200	Front stop switch connector	1
27	8813-8200	Sub wire harness	1



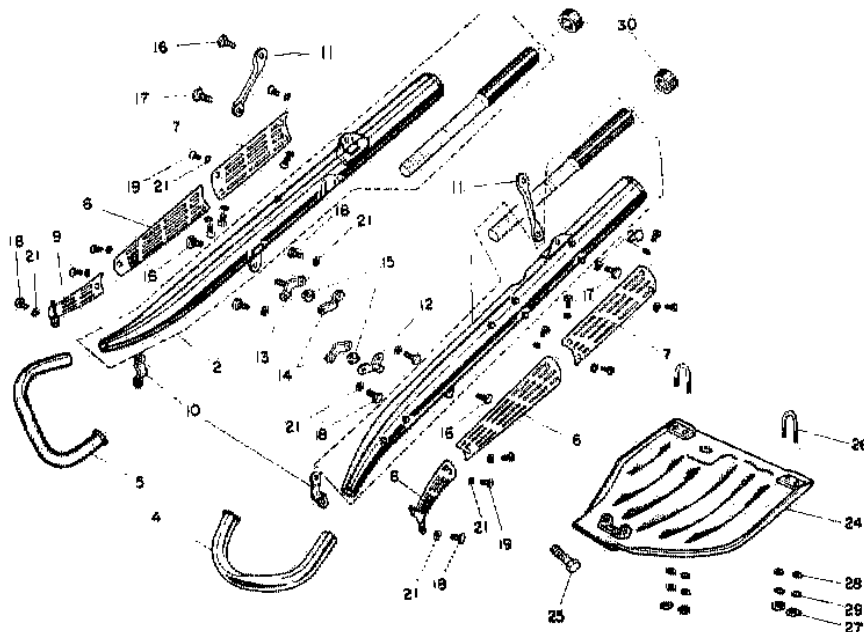
MUFFLERS—EXHAUST PIPES FOR DT AND RS

Index No.	Part No.	Part Name	No. Req'd
1	6302-8001	Left muffler assy	1
2	6303-8001	Right muffler assy	1
3	6320-8001	Diffuser pipe	2
4	6321-8000	Diffuser pipe nut	2
5	0411-0512	Plane washer A	2
6	6352-8000	Left exhaust pipe	1
7	6353-8000	Right exhaust pipe	1
8	6361-8000	Exhaust Pipe clamp	2
9	6362-5000	Muffler joint rubber	2
10	6364-5000	Muffler joint ring	2
11	6363-5000	Muffler joint stopper	2
12	3335-8000	Stand rubber stopper	1
13	0311-0412	Cross recd pan head screw	2
14	0211-0400	Hexagon nut A	2
15	0211-0600	Hexagon nut A	4
16	0431-0615	Spring washer	4
17	0411-0613	Plane washer A	4
18	0111-0816	Hexagon bolt A	2
19	0122-0832	Hexagon bolt B	2
20	0431-0820	Spring washer	4
21	0411-0818	Plane washer A	4

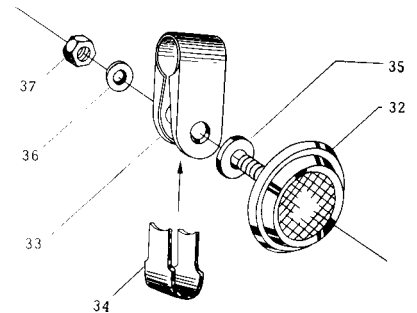
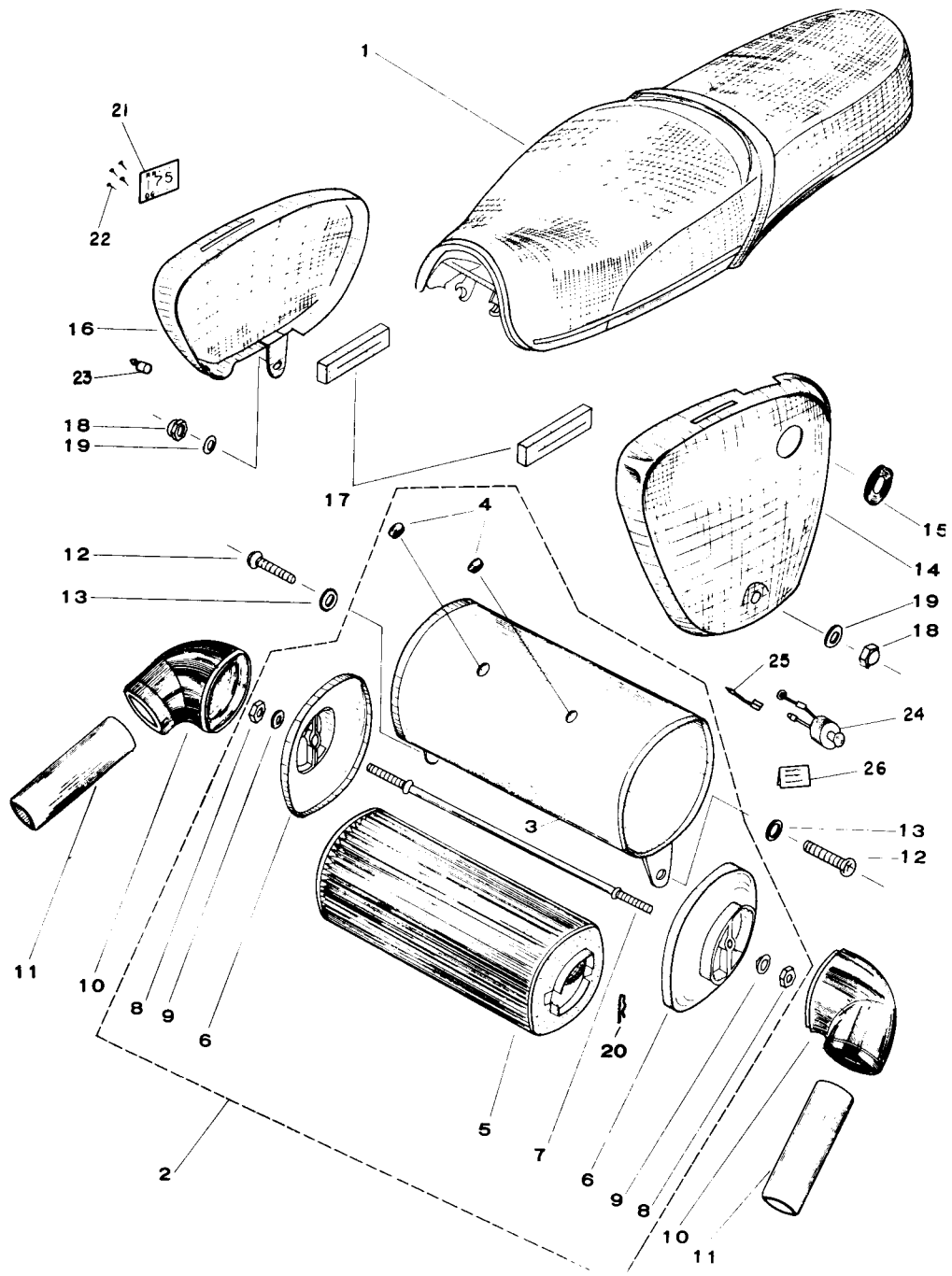


MUFFLERS—MUFFLER PROTECTORS—ENGINE GUARD FOR HS AND SS

Index No.	Part No.	Part Name	No. Req'd
1	6302-8010	Left muffler assy for HS	1
1	6302-8010-GBK	Left muffler assy for SS	1
2	6303-8010	Right muffler assy for HS	1
2	63 03-8010-GBK	Right muffler assy for SS	1
3	6320-8010	Diffuser pipe	2
4	6352-8020	Left exhaust pipe	1
5	6353-8020	Right exhaust pipe	1
6	6332-3210	Front muffler protector	2
7	6333-5010	Muffler stay	2
8	6336-8010	Left muffler protector	1
9	6337-8010	Right muffler protector	1
10	6334-5010	Protector bracket	2
11	6335-8010	Muffler stay	2
12	6365-8010	Left band A	1
13	6366-8010	Right band A	1
14	6367-8010	Band B	2
15	6368-8010	Band cushion rubber	2
16	0111-0816	Hexagon bolt A	3
17	0111-0812	Hexagon bolt A	2
18	0111-0612	Hexagon bolt A	6
19	09531-102	6×6 cross recd pan head screw	14
20	0411-0818	Plane washer A	1
21	0411-0613	Plane washer A	20
24	6761-8010	Engine protector	1
25	0124-0862	Hexagon bolt B	1
26	6762-8010	Engine protector upper bolt	2
27	0211-0600	Hexagon nut A	4
28	0411-0613	Plane washer A	4
29	0431-0615	Spring washer	4
30	6322-8010	Diffuser pipe seal	2



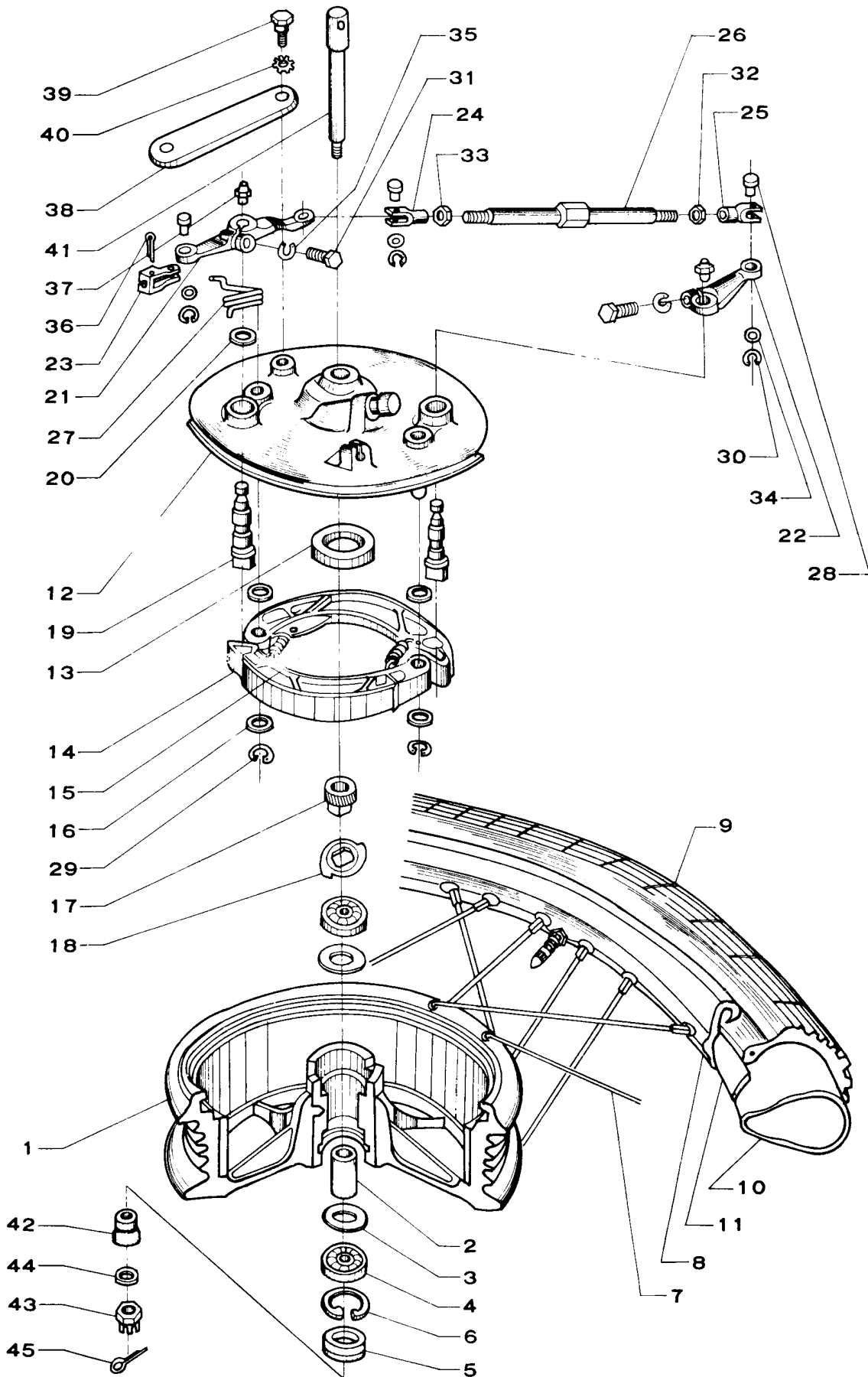
SEAT—AIR CLEANER—SIDE COVER—TOURING BAR—REAR REFLECTOR



SEAT—AIR CLEANER—SIDE COVER—TOURING BAR—REAR REFLECTOR

Index No.	Part No.	Part Name	No. Req'd
1	6402-8000	Dual seat assy for DT	1
1	6402-8020	Dual seat assy for HS	1
1	6402-8200	Dual seat assy for RS	1
1	6402-8210	Dual seat assy for SS	1
	3448-8012	Left seat mounting bolt for HS & SS	1
	3449-8012	Right seat mounting bolt for HS & SS	1
2	6201-8000 MS	Air cleaner assembly	1
2	6201-8010 MS	Air cleaner assy after serial 16 K	1
3	6221-8000	Air cleaner case	1
3	6221-8010	Air cleaner case after serial 16 K	1
4	4435-5010	Grommet	2
5	6211-8000	Air cleaner element	1
5	6211-8010	Air cleaner element after serial 16 K	1
6	6222-8000 MS	Air cleaner cover	2
7	6223-8000	Air cleaner bolt	1
8	0211-0500	Hexagon nut A	2
9	0411-0512	Plane washer A	2
10	6242-8000	Air pipe joint	2
11	6241-8000	Air pipe	2
11	6241-8010	Air pipe after serial 16 K	2
12	0111-0514	Hexagon bolt A	2
13	0411-0512	Plane washer A	2
14	6811-8000 FAR	Left cover for 175 before serial 16 K	1
	6811-8020 FAR	Left cover for 175 after serial 16 K	1
	6811-8200 FAR	Left cover for MII Red	1
	6811-8200 FAB	Left cover for MII Blue	1
	6811-8200 FBG	Left cover for MII Gold	1
	6811-8200 FDG	Left cover for MII Green	1
	6811-8200 FOG	Left cover for MII Gold	1
	6811-8200 PSW	Left cover for MII White	1
15	6812-8000	Main switch grommet	1
16	6821-8001 FAR	Right cover 175 Red	1
17	3447-8000	Cover pad	2
18	09525-104	6 cap nut	2
19	0411-0613	Plane washer A	2
20	6224-8000	Latch clip	2
21	6815-8000	Cover ornament for DT	1
21	6815-8020	Cover ornament for HS	1
27	6815-8200	Cover ornament for MII RS	1
28	6815-8210	Cover ornament for MII SS	1
	6818-8200	Cover ornament for 200	1
22	6823-8000	Eyelet	4
	9116-8000	Oil injection label	1
23	3452-3210	Supporter	1
24	6803-8000	Charge control switch disct'd at ser. 16G	1
25	8825-8000	Connecting wire disct'd at serial 16G	1
26	6813-8000	Control switch label disct'd at ser. 16G	1
	8207-8200	Rear reflector assembly	2
32	8281-5610	Rear reflector	2
33	8282-8200	Rear reflector clamp	2
34	8283-8200	Rear reflector spacer	2
35	09541-123	6 Plain washer	2
36	0411-0613	Plain washer A	2
37	0211-0600	Hexagon nut A	2
	6660-8200	Passenger touring bar	1

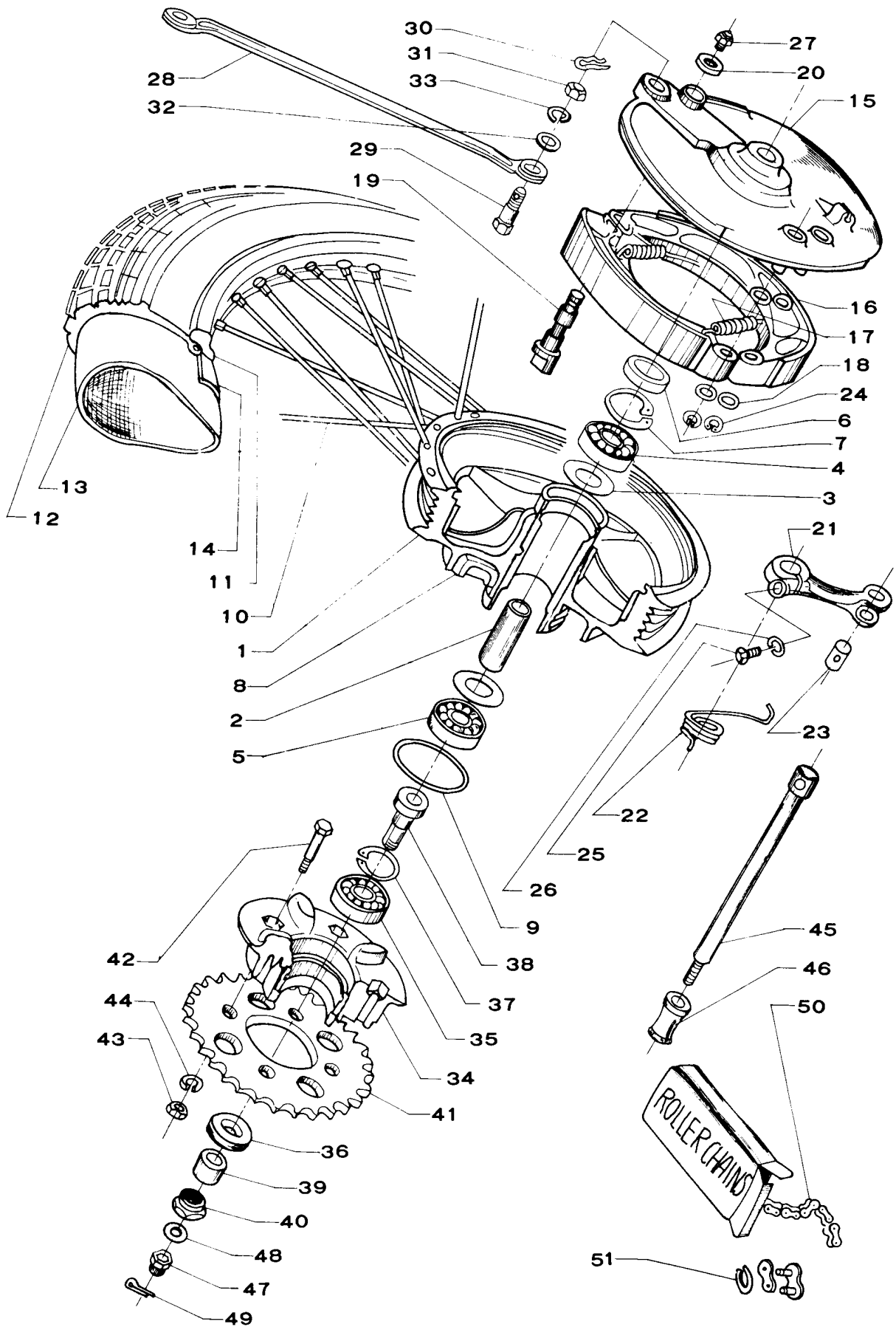
FRONT WHEEL



FRONT WHEEL

Index No.	Part No.	Part Name	No. Req'd
1	7111-8000	Front brake drum	1
2	7114-8000	Front drum collar	1
3	7115-8000	Collar supporter	2
4	07-6302-43	Ball bearing	2
5	09590-110	22 oil seal	1
6	09501-101	42A snap ring	1
7	7108-8000	Front spoke assy	1
8	7241-8000	Wheel rim	1
9	7251-8000	2.50×18 Tire (Orig equip on DT & RS)	1
	7251-8000	3.00×18 Tire (Orig equip for HS & SS)	1
10	7252-8000	2.50×18 Tube	1
	7252-8010	3.00×18 Tube	1
11	7453-8000	Tire flap	1
12	7130-8000	Front panel complete	1
13	09590-111	48 oil seal	1
14	7140-8000	Brake shoe complete	2
15	7145-8000	Brake shoe spring	2
16	09548-101	14 thrust washer	4
17	7148-8000	Speedometer gear	1
18	7149-8000	Speedometer gear connector	1
19	7151-8000	Front brake cam	2
20	7152-8000	Cam dust seal	2
21	7153-8000	Brake arm A	1
22	7154-8000	Brake arm B	1
23	7155-8000	Wire connector	1
24	7156-8000	Rod end A	1
25	7157-8000	Rod end B	1
26	7158-8000	Brake arm rod	1
27	7159-8000	Front arm return spring	1
28	7161-8000	Brake arm pin	3
29	09502-101	14A snap ring	2
30	09504-101	5 D snap ring	3
31	0112-0620	Hexagon bolt A	2
32	0232-0500	Hexagon nut C	1
33	09529-101	5 left thread nut	1
34	0421-0612	Plane washer B	3
35	0431-0615	Spring washer	2
36	0551-2020	Split pin	1
37	7134-3002	Grease nipple	2
38	7166-8000	Front torque link	1
39	7167-8000	Front link bolt	1
40	0441-1018	Internal toothed washer	1
41	7221-8000	Front wheel axle	1
42	7226-8000	Front axle collar	1
43	09522-102	14 Hexagon slotted nut	1
44	09541-109	14 plane washer	1
45	0551-3025	Split pin	1

REAR WHEEL

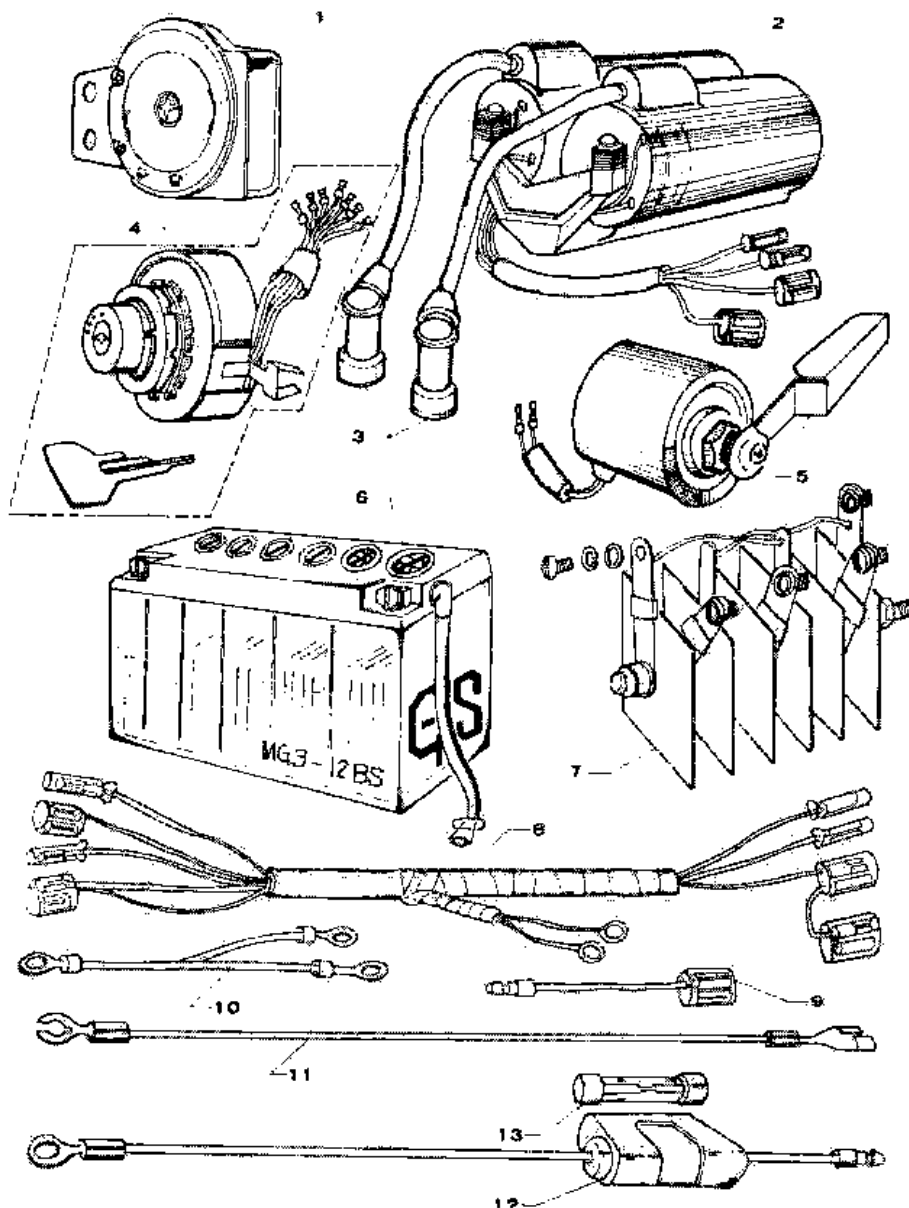


REAR WHEEL

Index No.	Part No.	Part Name	No. Req'd
1	7311-8000	Rear brake drum	1
1	7311-8010	Rear brake drum after 16 M	1
2	7314-8000	Rear drum collar	1
2	7314-8010	Rear drum collar after 16 M	1
3	7115-8000	Collar supporter	2
3	7115-8010	Collar supporter after 16 M	2
	7315-8010	Collar supporter B	1
4	07-6302-03	Ball bearing	1
5	07-6302-43	Ball bearing	1
5	07-6204-43	Ball bearing after 16 M	1
6	09590-112	22 oil seal	1
6	09590-121	28 oil seal after 16 M	1
7	09501-101	42A snap ring	1
8	7319-8000	Rear wheel damper	4
8	7319-8010	Rear wheel damper after 16 M	6
9	09566-110	50 O ring disct'd after 16 M	1
10	7308-8000	Rear spoke assembly	1
11	7241-8000	Wheel rim	1
12	7451-8000	275x18 Tire (Orig equip for DT)	1
12	7451-8010	300x18 Tire (Orig equip for HS)	1
13	7452-8000	275x18 Tube	1
13	7452-8010	300x18 Tube	1
14	7453-8000	Tire flap	1
15	7330-8000	Rear panel complete	1
16	7140-8000	Brake shoe complete	1
17	7145-8000	Brake shoe spring	2
18	09548-101	14 thrust washer	4
19	7351-8000	Rear brake cam	1
20	7152-8000	Cam dust seal	1
21	7353-8000	Brake arm C	1
22	7359-8000	Rear arm return spring	1
23	7361-3003	Brake arm pin	1
24	09502-101	14 B snap ring	2
25	0112-0620	Hexagon bolt A	1
26	0431-0615	Spring washer	1
27	7134-3002	Grease nipple	1
28	7366-8000	Rear torque link	1
29	7367-8000	Rear link bolt	1
30	7369-8000	Latch clip	1
31	0211-0800	Hexagon nut A	1
32	0411-0818	plane washer A	1
33	0431-0820	Spring washer	1
34	7371-8000	Drive flange disct'd after 16 M	1
35	07-6204-23	Ball bearing	1
36	09590-113	28 oil seal disct'd after 16 M	1
37	09501-102	47 A snap ring	1
37	09502-102	62 B snap ring after 16 M	1
38	7376-8000	Drive flange collar disct'd after 16 M	1
39	7377-8000	Oil seal collar	1
39	7377-8010	Oil seal collar after 16 M	1
40	7379-8000	Flange collar nut	1
41	7381-8000	Driven sprocket 38T for DT & HS	1
41	7381-8010	Driven sprocket 38T for DT, HS & SS aft 16M	1
41	7381-8200	Driven sprocket 36T for RS	1
42	09511-112	8 x 33 hexagon bolt	4
42	09511-142	10 x 32 hexagon bolt after 16 M	6
43	0231-0800	Hexagon nut C	4
43	0231-1000	Hexagon nut C after 16 M	6
44	0431-0820	Spring washer	4
44	7387-8010	Lock washer after 16 M	6
45	7421-8000	Rear wheel axle	1
45	7421-8010	Rear wheel axle after 16 M	1
46	7426-8000	Rear axle collar	1
47	09522-102	14 hexagon slotted nut	1
48	09541-109	14 plane washer	1
49	0551-3025	Split pin	1
50	7501-8000	Chain assy (428-108 links) for DT, HS & SS	1
50	7501-8200	Roller chain (428-106 links) for RS	1
51	7520-8000	Chain joint complete	1

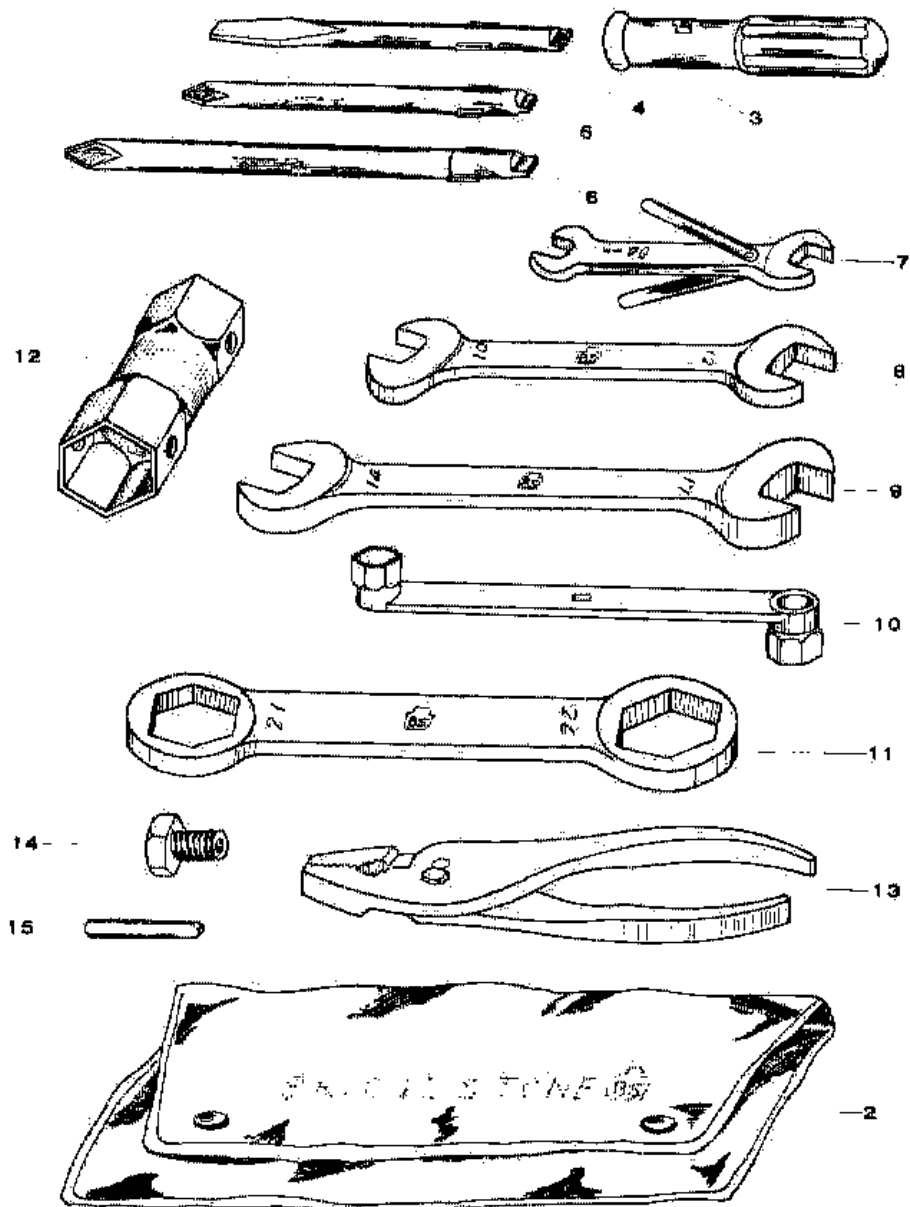
HORN – IGNITION COIL – MAIN SWITCH – BATTERY

Index No.	Part No.	Part Name	No. Req'd
1	8402-8001	Horn assy	1
2	8501-8000	Ignition coil assy	1
3	8520-5000	Plug cap	2
3	8520-5010	Plug cap	2
4	8601-8000	Main switch assy	1
5	8602-8000	Stop switch assy	1
6	8701-3032	Battery	1
7	8702-8000	Rectifier assy	1
8	8811-8000	Wire harness	1
9	8824-5010	High beam wire	1
10	8831-8000	Body earth wire	1
11	8833-5001	Speedometer earth wire	1
12	8802-8000	Fuse assy	1
13	8861-3000	Fuse	1



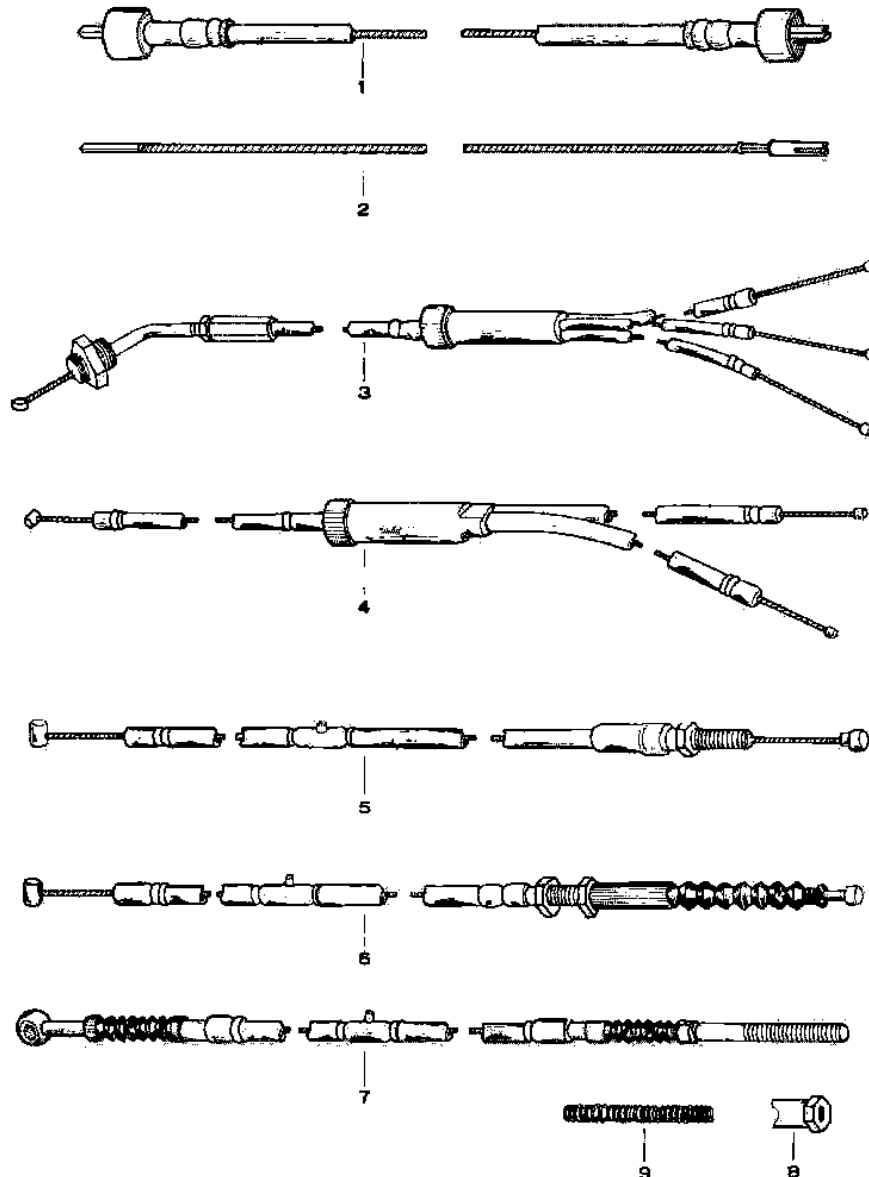
SERVICE TOOL SET

Index No.	Part No.	Part Name	No. Req'd
1	9201-8000	Service tool set	1
2	9211-5000	Tool bag	1
3	9231-3000	Driver grip	1
4	9228-5000	Screw driver C	1
5	9226-5000	Screw driver A	1
6	9227-3000	Screw driver B	1
7	9212-3001	Double spanner 8 × 9	1
8	9215-5000	Double spanner 10 × 12	1
9	9217-5000	Double spanner 14 × 17	1
10	9219-8000	Box wrench 10 × 12	1
11	9221-8000	Axle wrench	1
12	9218-5000	Plug box spanner	1
13	9225-5000	Plier	1
14	9236-8000	Timing bolt	1
15	9237-8000	Timing bar	1



SPEEDOMETER CABLE – THROTTLE WIRE

Index No.	Part No.	Part Name	No. Req'd
1	6171-8001	Speedometer cable for DT & HS	1
	6171-8200	Speedometer cable for RS & SS	1
2	9411-8000	Speedometer inner cable for DT & HS	1
	9411-8200	Speedometer inner cable for RS & SS	1
3	6176-8001	Throttle wire for DT & RS	1
	6176-8020	Throttle wire for HS & SS	1
4	6178-8000	Carburetor starter wire for DT & RS	1
	6178-8010	Carburetor starter wire for HS & SS	1
5	6186-8000	Clutch wire for DT & RS	1
	6186-8020	Clutch wire for HS & SS	1
6	6181-8000	Front brake wire for DT & RS	1
	6181-8010	Front brake wire for HS & SS	1
7	3841-8000	Rear brake wire	1
8	3832-3000	Brake rod adjuster	1
9	3833-8000	Brake rod spring	1



EXCLUSIVE PARTS FOR BRIDGESTONE 175 SR RACER

Part No.	Part Name	No. Req'd
1112-8010	L Cylinder head	1
1113-8010	R Cylinder head	1
1122-8020	Left cylinder	1
1123-8020	Right cylinder	1
1301-8010	Crankshaft	1
1305-8010	Piston ring	2
1341-8010	Piston	2
1431-8020	R Valve cover	1
1441-8020	L Valve cover	1
1600-8040	22M carburetor 250 jet	2
2133-8010	Drive shaft bush	1
2161-8020	R crankcase cover	1
2171-8010	Left carburetor cover	1
2176-8010	Right carburetor cover	1
2214-8010	Friction plate	6
2410-8010	Driven gear	1
2421-8010	Counter shaft	1
2446-8010	Drive shaft	1
2451-8010	1st Gear B	1
2484-8020	Ft sprocket 14T	1
2484-8030	Ft sprocket 15T	1
2484-8040	Ft sprocket 16T	1
2485-8010	Set plate sprocket	1
2542-8010	Shift fork B	1
2581-8010	Gear change pedal	1
2611-8010	Starter gear A	1
2616-8010	Starter gear B	1
3260-8050-MS	Rear fender	1
3438-8010	Number plate bracket	1
3726-8010	L foot rest spring	1
3727-8010	R foot rest spring	1
3810-8010	Brake pedal	1
3823-5410	Rubber - brake pedal	1
4411-8040-MS	Front fender	1
4424-8030	Fender stay B	1
5103-8010	Fuel cock assembly	2
5110-8020-OUR	Fuel tank	1
6176-8030	Throttle cable	1
6211-8020	Air cleaner screen	2
6310-8010	L tuned muffler	1
6340-8010	R tuned muffler	1
6430-8010	Racer seat	1
7241-8010	Wheel rim 300 × 18	1
7381-8020	Rear sprocket 42T	1
7381-8030	Rear sprocket 46T	1
7381-8040	Rear sprocket 50T	1
7501-8010	Roller chain assembly	1
7502-8010	Sub chain assembly	1
7502-8020	Sub chain assembly	1
8502-8010	L Ignition coil	1
8503-8010	R Ignition coil	1
09070-109	Needle bearing	1
09070-110	Needle bearing	1