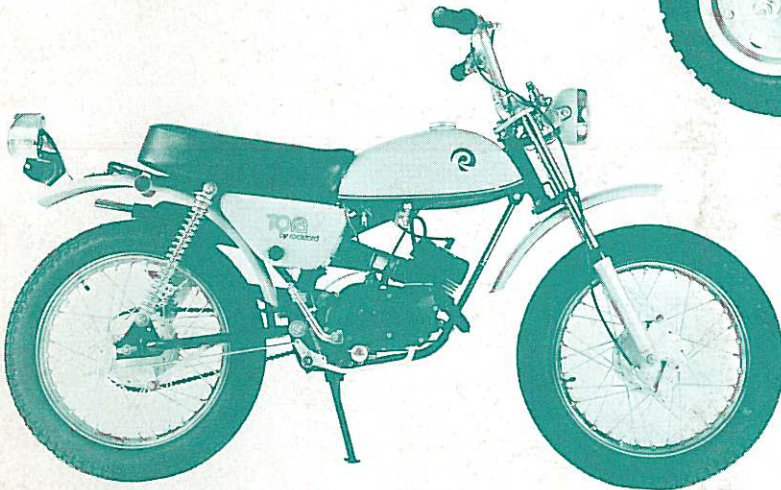
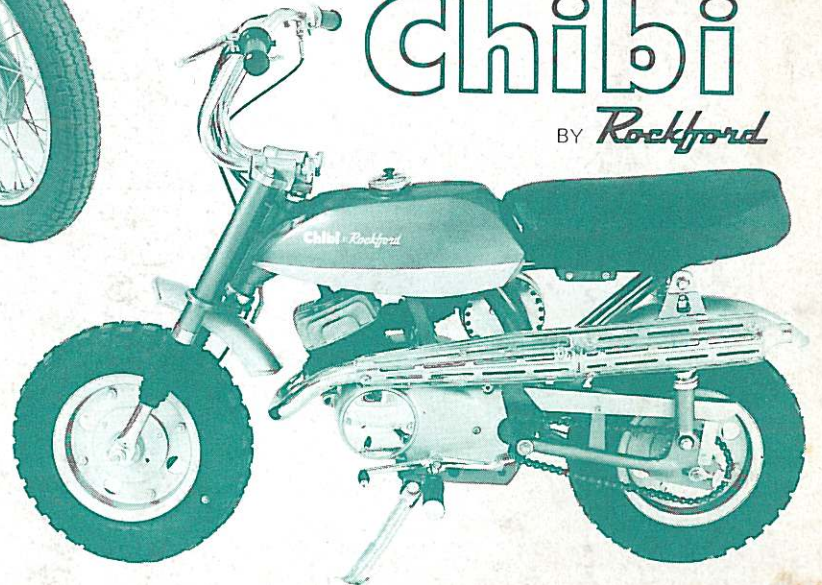




**TORA**  
by rockford

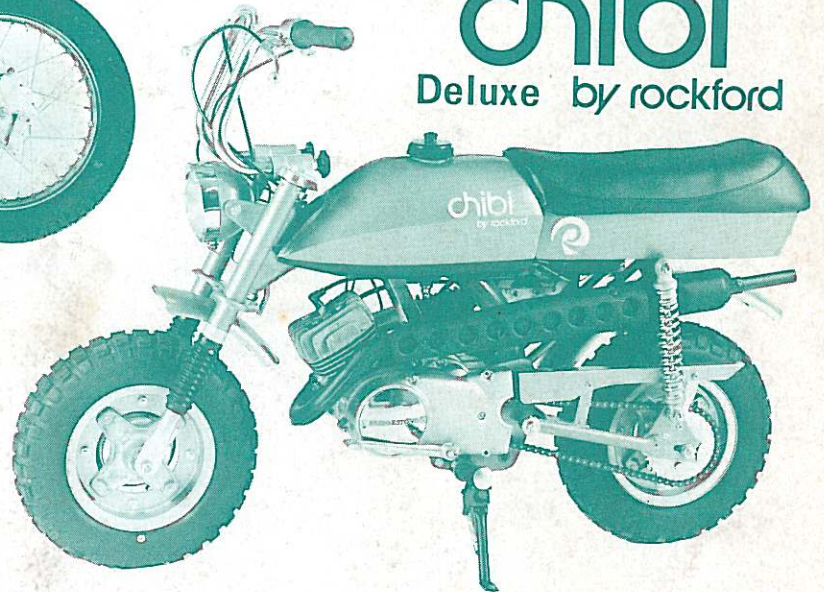


**Chibi**  
BY *Rockford*



**TORA**  
Deluxe by rockford

**chibi**  
Deluxe by rockford



# PARTS CATALOGUE

*Rockford Motors inc.*

1911 HARRISON AVENUE • ROCKFORD, ILLINOIS 61101

## CONTENTS

### FIGURE NUMBER

### DESCRIPTION

#### ENGINE

1	Crank Case
2	Cylinder
3	Crank Shaft
4	Crank Case Cover
5	Transmission
6	Clutch
7	Change Shaft and Shift Drum
8	Kick Starter
9	Carburetor (Chibi)
9A	Carburetor (Tora)
10	Magneto

#### BODY

11	Frame - Tools (Chibi)
11A	Frame (Tora)
12	Front Fork and Handle Bar (Chibi)
12A	Front Fork and Handle Bar (Tora)
13	Rear Frame and Rear Cushion (Chibi)
13A	Rear Frame and Rear Cushion (Tora)
14	Front Wheel (Chibi)
14A	Front Wheel (Tora)
15	Rear Wheel (Chibi)
15A	Rear Wheel (Tora)
16	Foot Rest and Brake Pedal
17	Fuel Tank and Seat (Chibi)
17A	Fuel Tank and Seat (Chibi Deluxe)
17B	Fuel Tank, Seat, Air Cleaner & Tools (Tora)
18	Air Cleaner (Chibi)
19	Exhaust System
20	Control System
21	Handle Bar Grips
22	Head and Tail Lamp (Chibi Deluxe)
22A	Head and Tail Lamp (Tora)
22B	Head and Tail Lamp (Tora Deluxe)

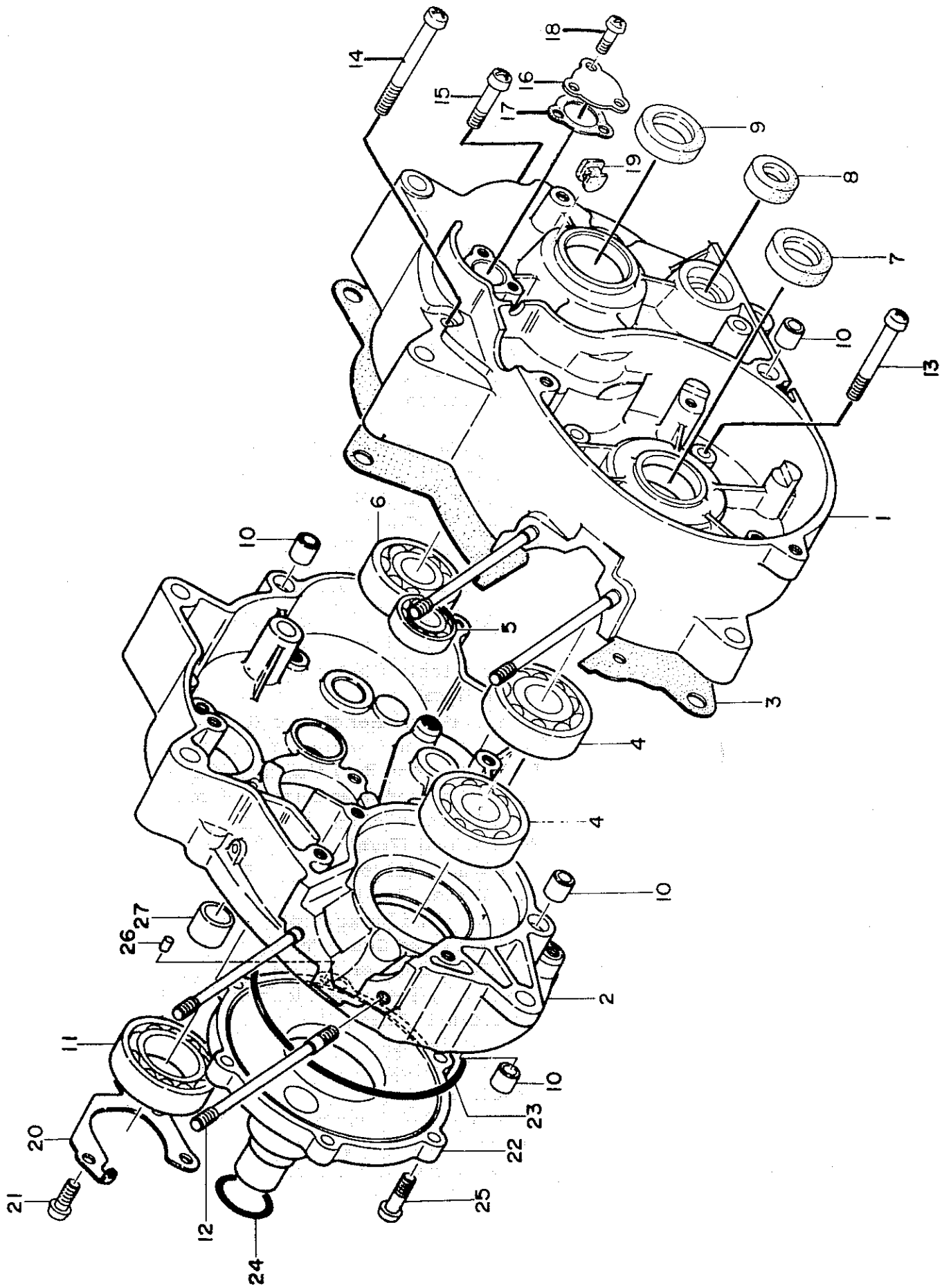


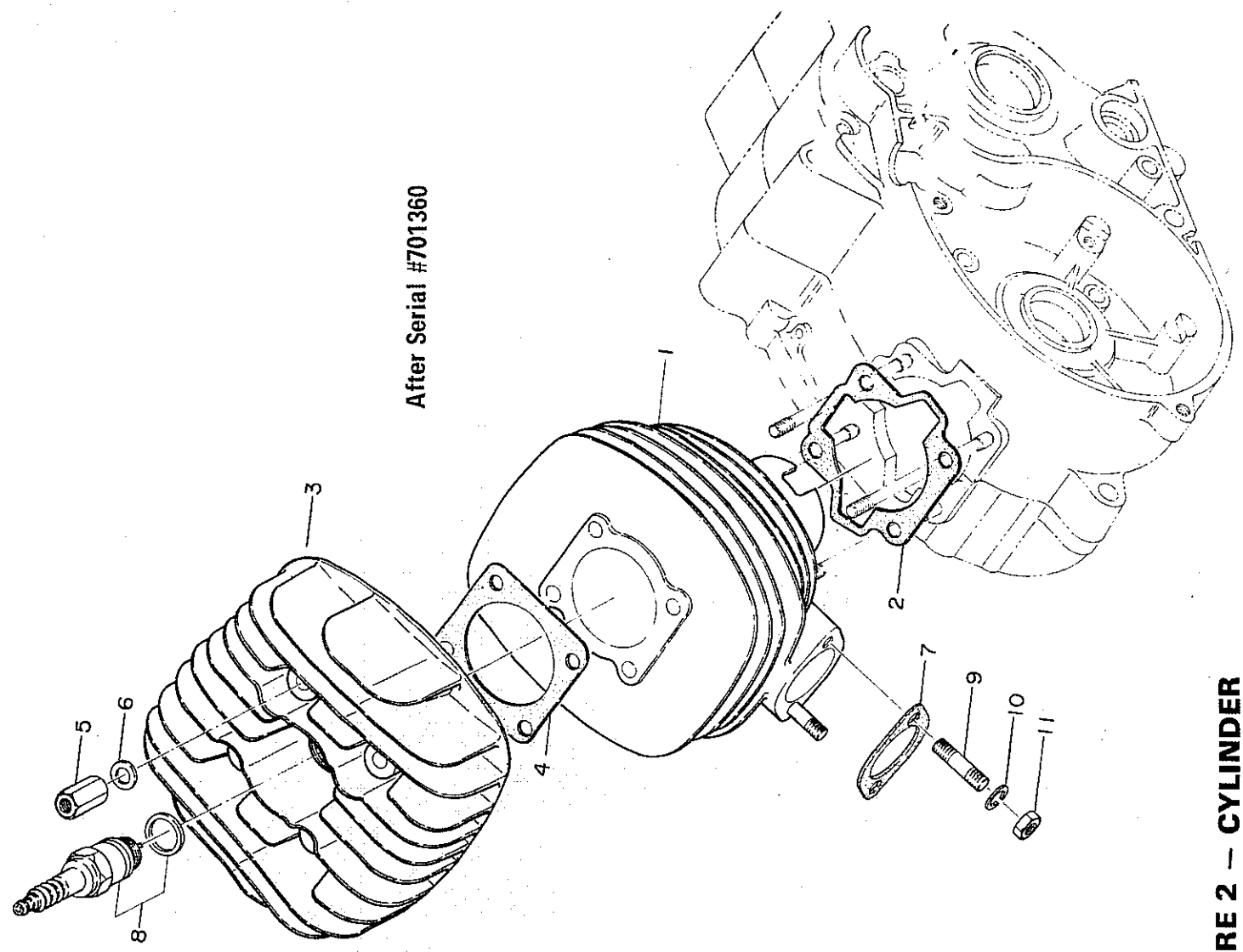
FIGURE 1 — CRANKCASE

FIGURE 1 - CRANK CASE

(C430 - C435 CHIBI: C440 - C445 TORA)

REF. NO.	PART NUMBER	DESCRIPTION	QUANTITY REQUIRED			
			C430 CHIBI	C435 CHIBI DELUXE	C440 TORA	C445 TORA DELUXE
1	2110 3200	Crank Case L.H.	1	1	-	-
1	077 11504 800	Crank Case L.H.	-	-	1	1
2	2130 3200	Crank Case R.H.	1	1	-	-
2	076 11504 800	Crank Case R.H.	-	-	1	1
3	2181 3200	Crank Case Gasket	1	1	1	1
4	07 6303 01	Ball Bearing #6303	2	2	2	2
5	07 6001 01	Ball Bearing #6001	1	1	1	1
6	07 6302 01	Ball Bearing #6302	1	1	1	1
7	09090 104	Oil Seal #17287	1	1	1	1
8	09090 101	Oil Seal #12227	1	1	1	1
9	09090 105	Oil Seal #20307	1	1	1	1
10	09057 101	6 X 10 X 10 B Dowel	5	5	5	5
11	07 6005 01	Ball Bearing #6005	1	1	1	1
12	2121 3200	Cylinder Stud 6 X 111 mm	4	4	4	4
13	0311 0640	Screw 6 X 40 mm	5	5	5	5
14	0311 0655	Screw 6 X 55 mm	3	3	3	3
15	0311 0625	Screw 6 X 25 mm	1	1	1	1
16	225 34301 200	Switch Cover	1	1	-	-
17	1763 5000	Switch Cover Packing	1	1	1	1
18	0311 0510	Screw 5 X 10 mm	3	3	3	3
19	227 34301 200	Switch Wire Grommet	1	1	1	1
20	2145 3200	Bearing Holder	1	1	1	1
21	0311 0614	Screw 6 X 14 mm	3	3	3	3
22	221 34301 200	Rotary Valve Cover	1	1	-	-
22	221 34401 200	Rotary Valve Cover	-	-	1	1
23	09066 103	O Ring #100	1	1	1	1
24	09066 104	O Ring #23	1	1	1	1
25	0311 0620	Screw 6 X 20 mm	6	6	6	6
26	09056 102	Screw 6 X 20 mm	1	1	1	1
27	2133 3200	Drive Shaft Bushing	1	1	1	1

After Serial #701360



Before Serial #701360

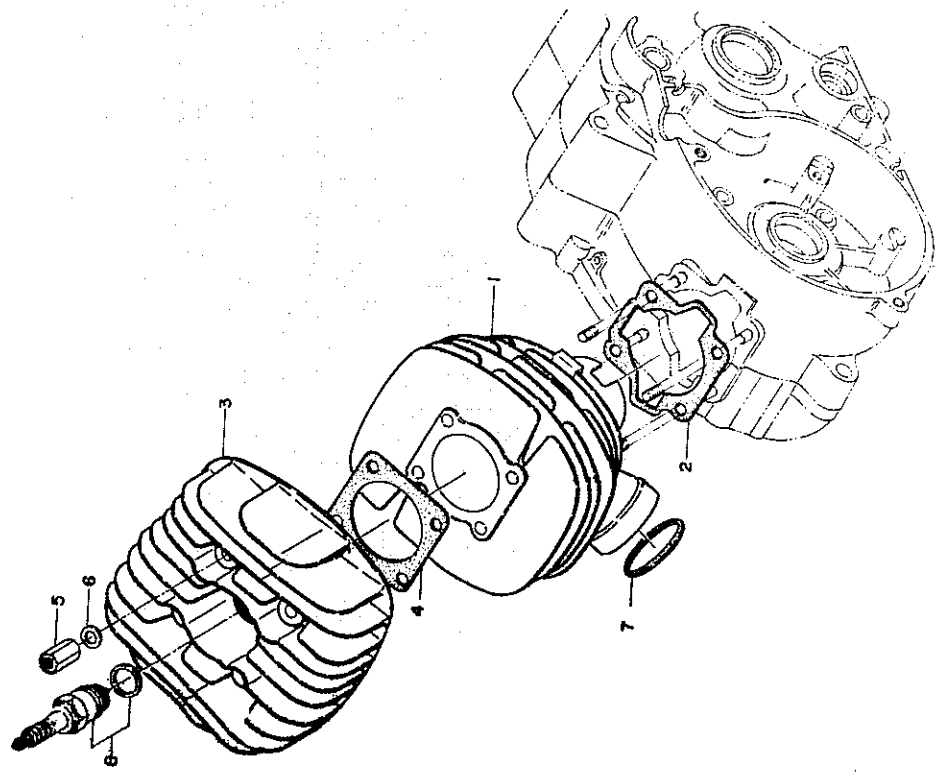


FIGURE 2 -- CYLINDER

FIGURE 2 - CYLINDER

(C430 - C435 CHIBI; C440 - C445 TORA)

REF. NO.	PART NUMBER	DESCRIPTION	QUANTITY REQUIRED			
			C430 CHIBI	C435 CHIBI DELUXE	C440 TORA	C445 TORA DELUXE
1	1121 3220	Cylinder - Before Serial 701360	1	-	-	-
1	002 11501 801	Cylinder - After Serial 701360	1	1	-	-
1	002 11504 800	Cylinder	-	-	1	1
2	1143 3200	Cylinder Base Gasket	1	1	1	1
3	1111 3210	Cylinder Head	1	1	-	-
3	014 11504 800	Cylinder Head	-	-	1	1
4	1141 3210	Cylinder Head Gasket	1	1	1	1
5	1115 5000	Cylinder Head Nuts	4	4	4	4
6	0411 0613	6 mm Plain Washers	4	4	4	4
7	1142 5000	Gasket - Before Serial 701360	1	-	-	-
	737 11501 201	Gasket - After Serial 701360	1	1	1	1
8	1781 3210	NGK B-7S Spark Plug	1	1	1	1

Added After Serial 701360

9	100 12000 200	6 X 26 Bolt	2	2	2	2
10	0431 0615	6 mm Washers	2	2	2	2
11	0222 0600	6 mm Nuts	2	2	2	2

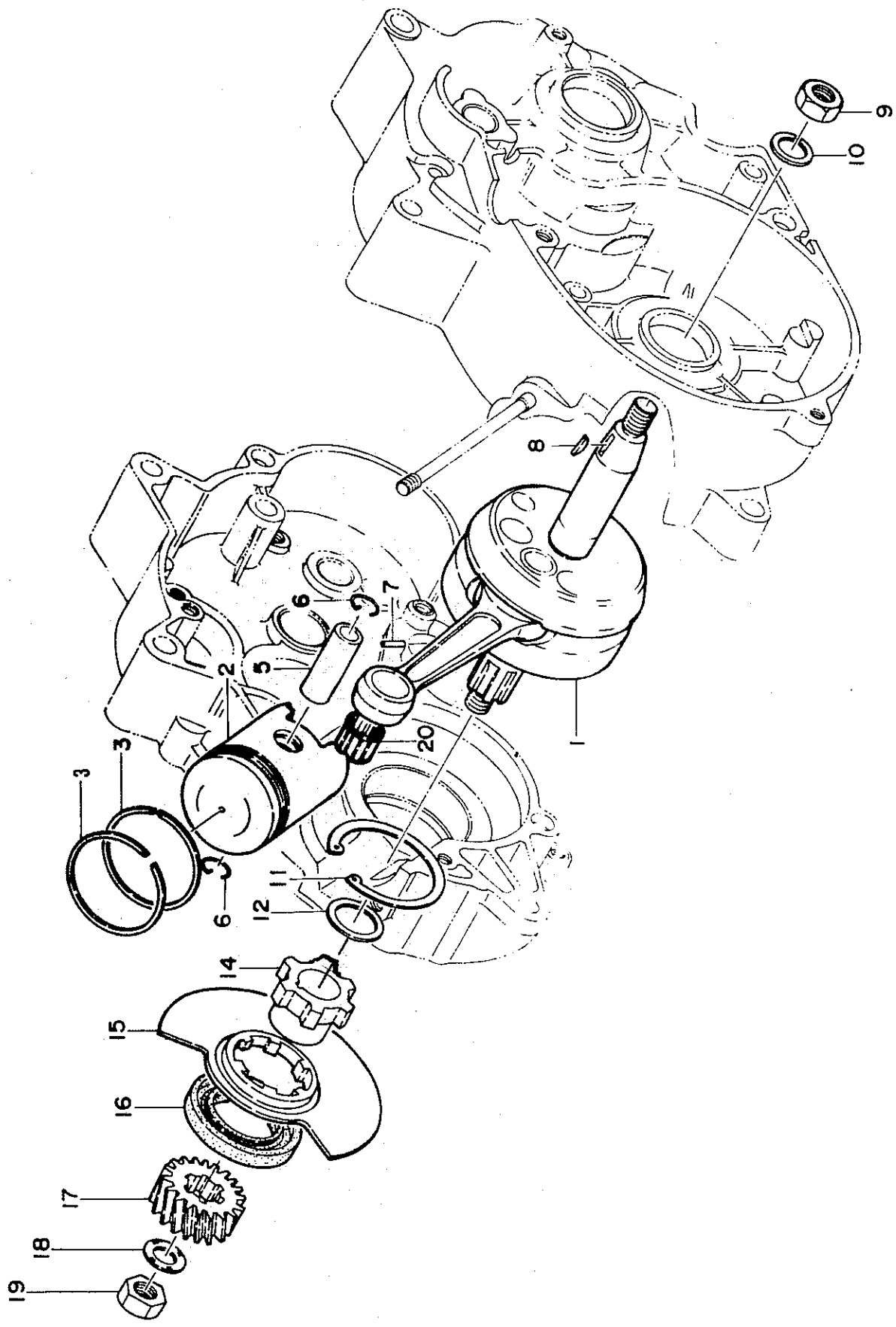


FIGURE 3 — CRANKSHAFT

FIGURE 3 - CRANK SHAFT

(C430 - C435 CHIBI: C440 - C445 TORA)

REF. NO.	PART NUMBER	DESCRIPTION	QUANTITY REQUIRED			
			C430 CHIBI	C435 CHIBI DELUXE	C440 TORA	C445 TORA DELUXE
1	046 11501 800	*Crankshaft Complete - Before Serial 709971	1	-	-	-
1	046 11501 801	*Crankshaft Complete - After Serial 709971	1	1	1	1
2	1341 3220	Piston - Standard	1	1	1	1
	1342 3220	Piston - Oversize 0.25				
	1343 3220	Piston - Oversize 0.50				
3	1305 3210	Piston Ring Set - Standard	1	1	1	1
	1306 3210	Piston Ring Set - Oversize 0.25				
	1307 3210	Piston Ring Set - Oversize 0.50				
5	1381 3110	Piston Pin	1	1	1	1
6	1382 3200	Piston Pin Circlip	2	2	2	2
7	09063 104	3 X 10 A Dowell	1	1	1	1
8	068 11501 200	3 X 15 Woodruff Key	1	1	1	1
9	0212 1000	10 mm Nut	1	1	1	1
10	0431 1025	10 mm Spring Washer	1	1	1	1
11	09001 101	47 A Snap Ring	1	1	1	1
12	09049 102	17 X 0.3 Shim	1-3	1-3	1-3	1-3
14	1451 3210	Crank Shaft Collar	1	1	1	1
15	1412 3210	Rotary Valve	1	1	1	1
16	09090 108	Oil Seal 25478	1	1	1	1
17	1385 3201	Drive Pinion	1	1	1	1
18	09046 101	10 mm Wave Washer	1	1	1	1
19	09029 103	10 mm Nut Left Thread	1	1	1	1
20	1333 3210	12 Needle Bearing	1	1	1	1

\*Interchangeable



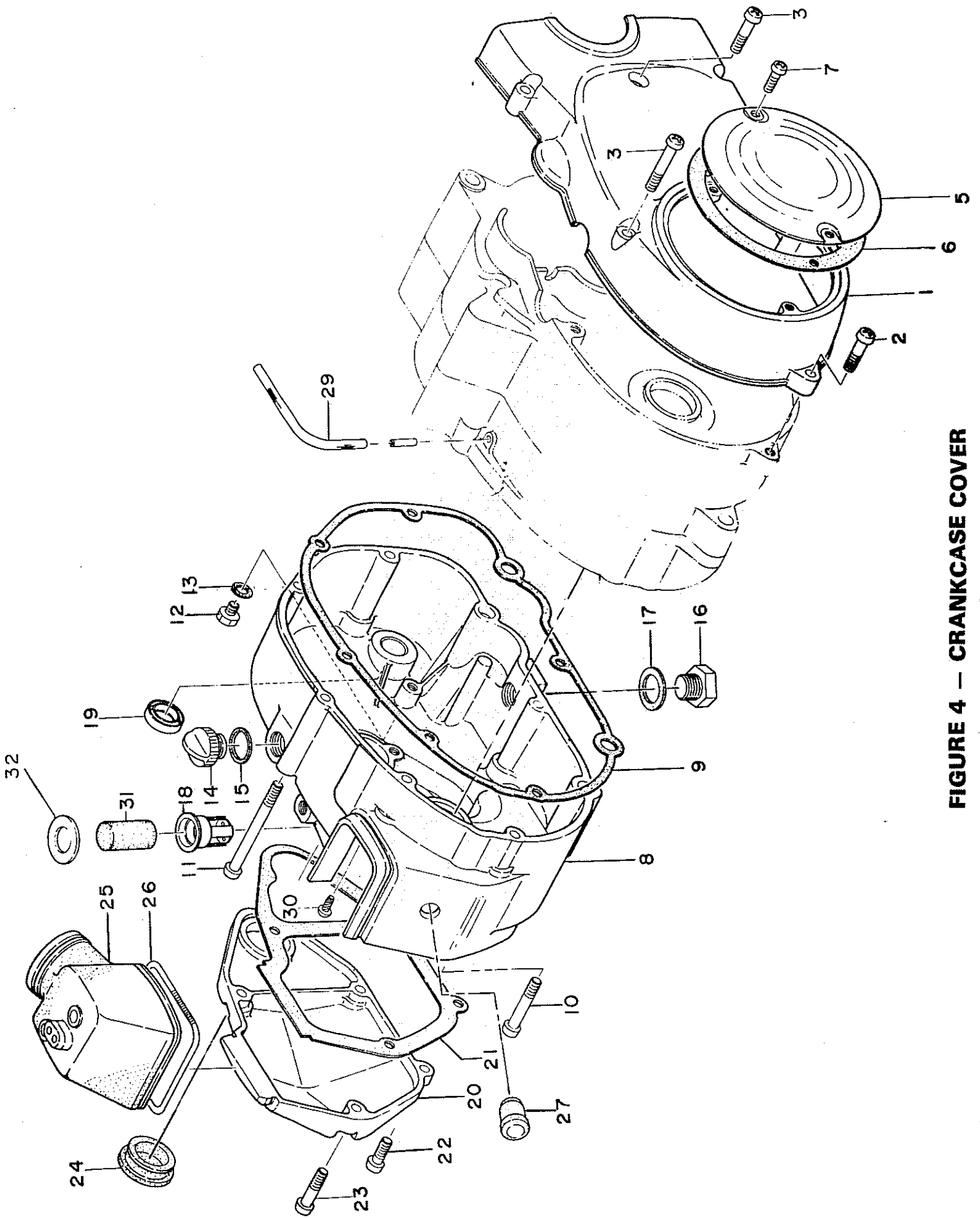


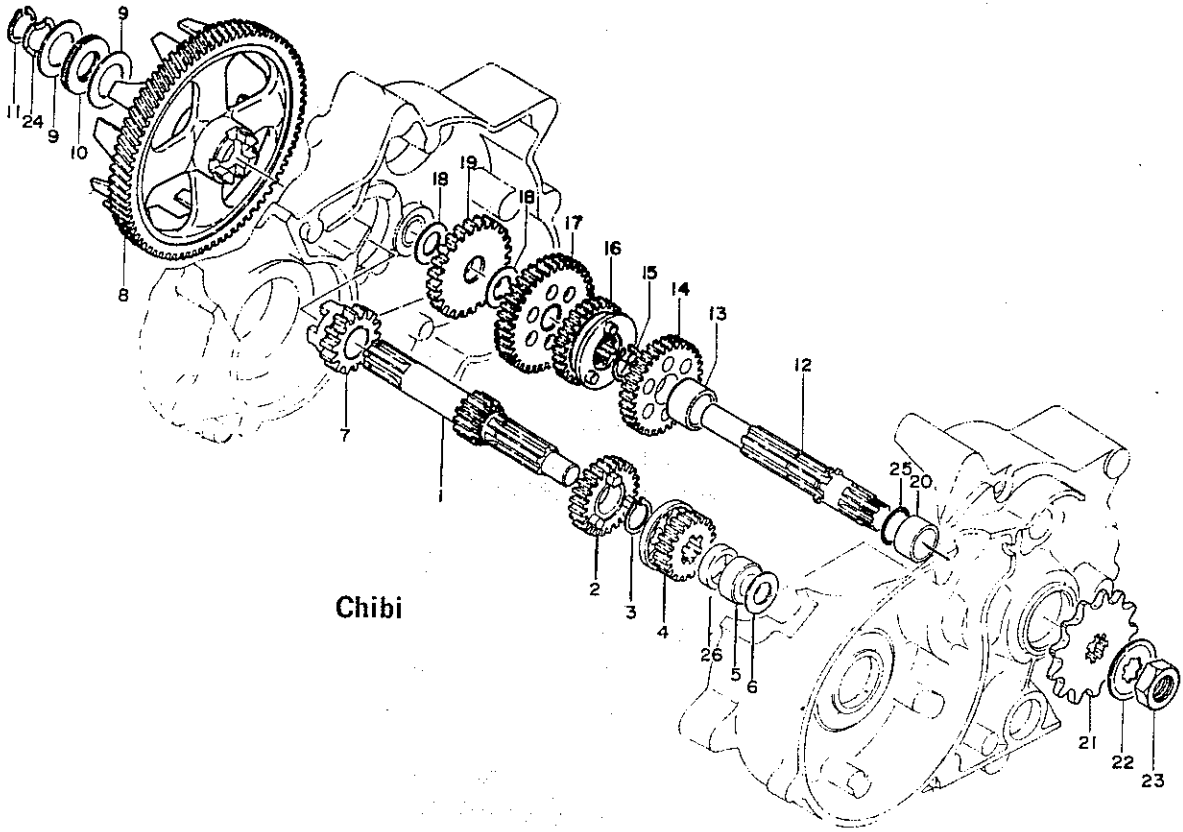
FIGURE 4 — CRANKCASE COVER

FIGURE 4 - CRANK CASE COVER

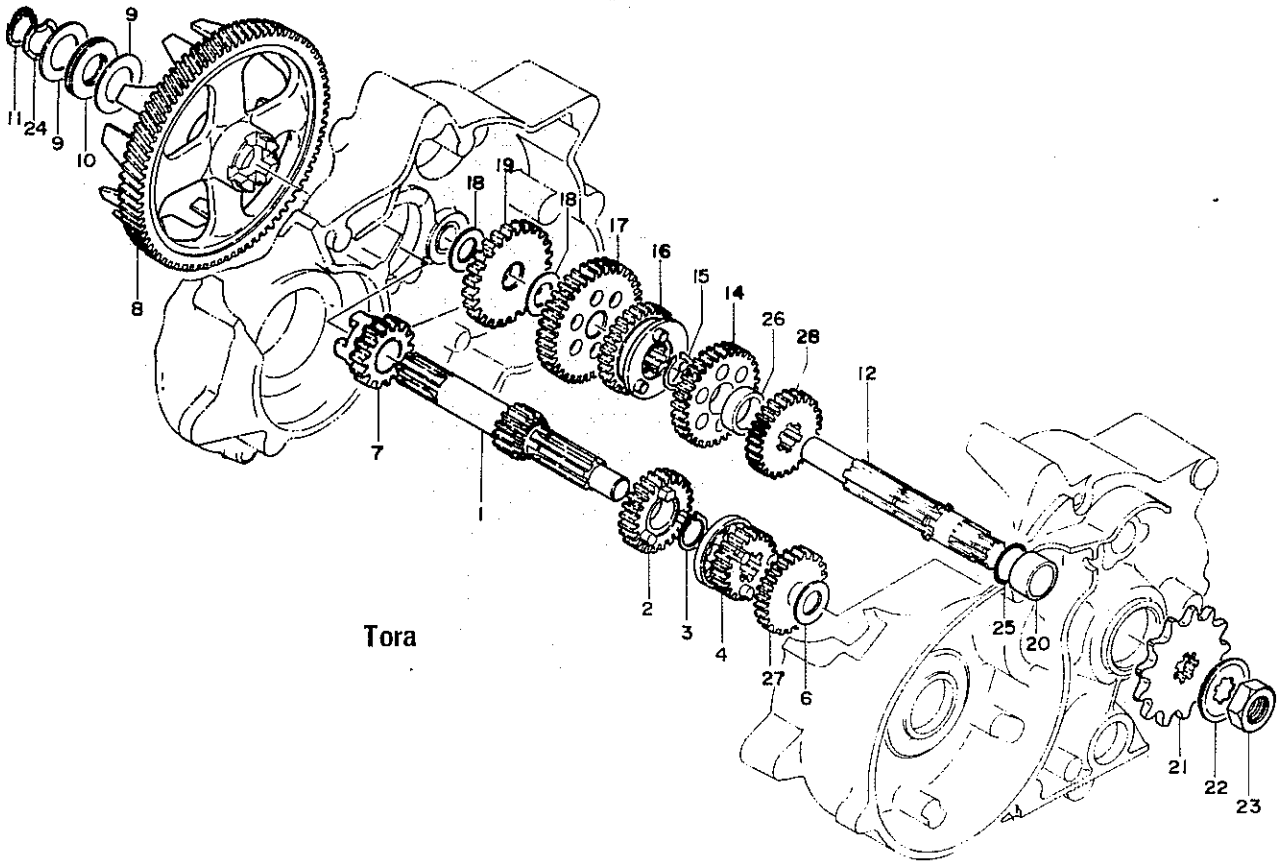
(C430 - C435 CHIBI; C440 - C445- TORA)

REF. NO.	PART NUMBER	DESCRIPTION	QUANTITY REQUIRED			
			C430 CHIBI	C435 CHIBI DELUXE	C440 TORA	C445 TORA DELUXE
1	2151 3200	Crank Case Cover L.H.	1	-	-	-
1	242 34302 200	Crank Case Cover L.H. (Silver)	-	1	-	-
1	242 34401 200	Crank Case Cover L.H. (Black)	-	-	1	1
2	0311 0625	Screw 6 X 25 mm	1	1	1	1
3	0313 0635	Screw 6 X 35 mm	3	3	3	3
5	2152 3200	*Contact Breaker Cover	1	-	-	-
5	243 34302 200	*Contact Breaker Cover	-	1	-	-
5	243 34401 200	*Contact Breaker Cover	-	-	1	1
6	2184 3200	Contact Cover Gasket	1	1	1	1
7	0311 0510	Screw 5 X 10 mm	2	2	2	2
8	2160 3200	Crank Case Cover R.H.	1	-	-	-
8	232 34302 800	Crank Case Cover R.H. (Silver)	-	1	-	-
8	232 34401 800	Crank Case Cover R.H. (Black)	-	-	1	1
9	2183 3200	Crank Case Cover Gasket	1	1	1	1
10	0313 0635	Screw 6 X 35 mm	3	3	3	3
11	0311 0662	Screw 6 X 65 mm	5	5	5	5
12	0112 0608	Bolt 6 X 8 mm	1	1	1	1
13	09064 102	#6 Fiber Gasket	1	1	1	1
14	2165 5000	Oil Filler Plug	1	1	1	1
15	09066 105	*Gasket - Before Serial 705351	1	-	-	-
	236 34301 201	*Gasket - After Serial 705351	1	1	1	1
16	09058 102	#16 Drain Plug	1	1	1	1
17	09065 102	#16 Aluminum Gasket	1	1	1	1
18	2162 5002	*Pipe - Before Serial 704003	1	-	-	-
	233 34301 201	*Pipe - After Serial 704003	1	1	1	1
19	09090 103	Oil Seal #15257	1	1	1	1
20	2176 5000	Carburetor Cover	1	-	-	-
20	239 34302 200	Carburetor Cover (Black)	-	1	1	1
21	2185 5000	Carburetor Cover Gasket	1	1	1	1
22	0311 0625	Screw 6 X 25 mm	1	1	1	1
23	0311 0616	Screw 6 X 16 mm	3	3	3	3
24	2179 5000	Release Screw Cap	1	1	1	1
25	2177 5000	Carburetor Cap	1	1	1	1
26	2178 5000	Carburetor Cap Ring	1	1	1	1
27	2168 5000	#12 Rubber Plug	1	1	1	1
29	2135 5000	Vinyl Breather Tube	1	1	1	1
30	993 30030 000	Drive Screw	1	1	1	1
31	249 11501 200	Drain Sponge Added - After Serial 704003	1	1	1	1
32	0421 0816	Drain Sponge Retainer - Added After Serial 704003	1	1	1	1

\*Interchangeable



Chibi



Tora

FIGURE 5 — TRANSMISSION GEARS

FIGURE 5 - TRANSMISSION

(C430 - C435 CHIBI; C440 - C445 TORA)

REF. NO.	PART NUMBER	DESCRIPTION	QUANTITY REQUIRED			
			C430	C435	C440	C445
			CHIBI	CHIBI DELUXE	TORA	TORA DELUXE
1	2421 3200	Counter Shaft	1	1	1	1
2	483 34301 200	3rd Gear A	1	1	-	-
2	483 34401 200	3rd Gear A	-	-	1	1
3	09002 104	#16 B Snap Ring	1	1	1	1
4	482 34301 200	2nd Gear A	1	1	-	-
4	482 34401 200	2nd Gear A	-	-	1	1
5	484 34301 200	Counter Shaft Spacer	1	1	-	-
6	09048 101	#12 Thrust Washer	1	1	1	1
7	2610 3200	Starter Gear A Complete	1	1	1	1
8	2411 3201	Driven Gear	1	1	1	1
9	2419 3200	#16 Thrust Washer	2	2	2	2
10	2418 3200	#16 Thrust Bearing	1	1	1	1
11	09002 104	#16 Snap Ring	1	1	1	1
12	2446 3200	Drive Shaft	1	1	1	1
13	494 34301 200	Drive Shaft Spacer	1	1	-	-
14	490 34301 200	2nd Gear B	1	1	-	-
14	490 34401 200	2nd Gear B	-	-	1	1
15	09002 104	#16 Snap Ring	1	1	1	1
16	491 34301 200	3rd Gear B	1	1	-	-
16	491 34401 200	3rd Gear B	-	-	1	1
17	2451 3200	1st Gear B	1	1	1	1
18	09048 101	#12 Thrust Washer	2	2	2	2
19	2616 3200	Starter Gear B	1	1	1	1
20	2483 3200	Drive Sprocket Spacer	1	1	1	1
21	2484 3001	Drive Sprocket 13T	1	1	1	1
22	09047 101	#14 Lock Washer	1	1	1	1
23	09021 101	#14 Drive Shaft Nut	1	1	1	1
24	09546 101	16 mm Wave Washer	1	1	1	1
25	09066 118	#15 O Ring	1	1	1	1
26	535 34301 200	2nd Gear Spacer	1	1	1	1
27	487 34401 200	4th Gear A	-	-	1	1
28	492 34401 200	4th Gear B	-	-	1	1

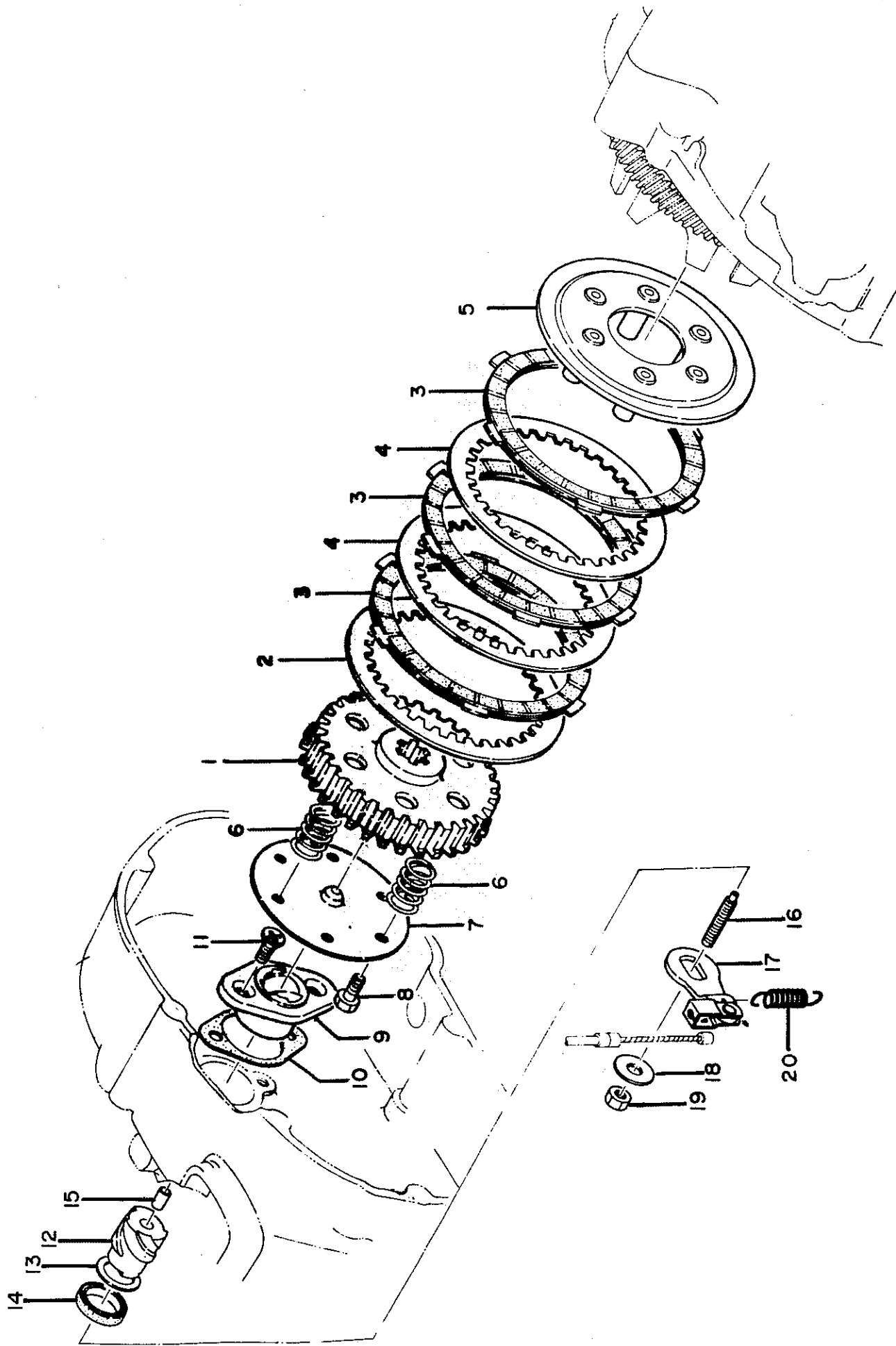


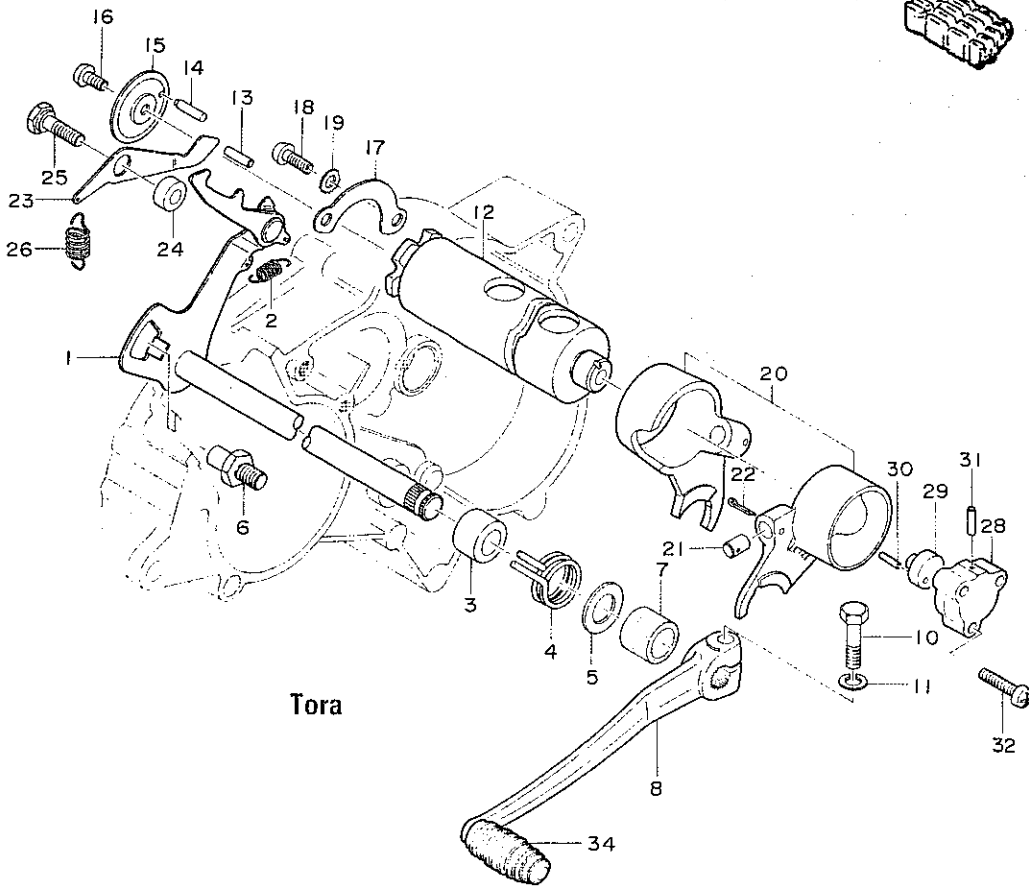
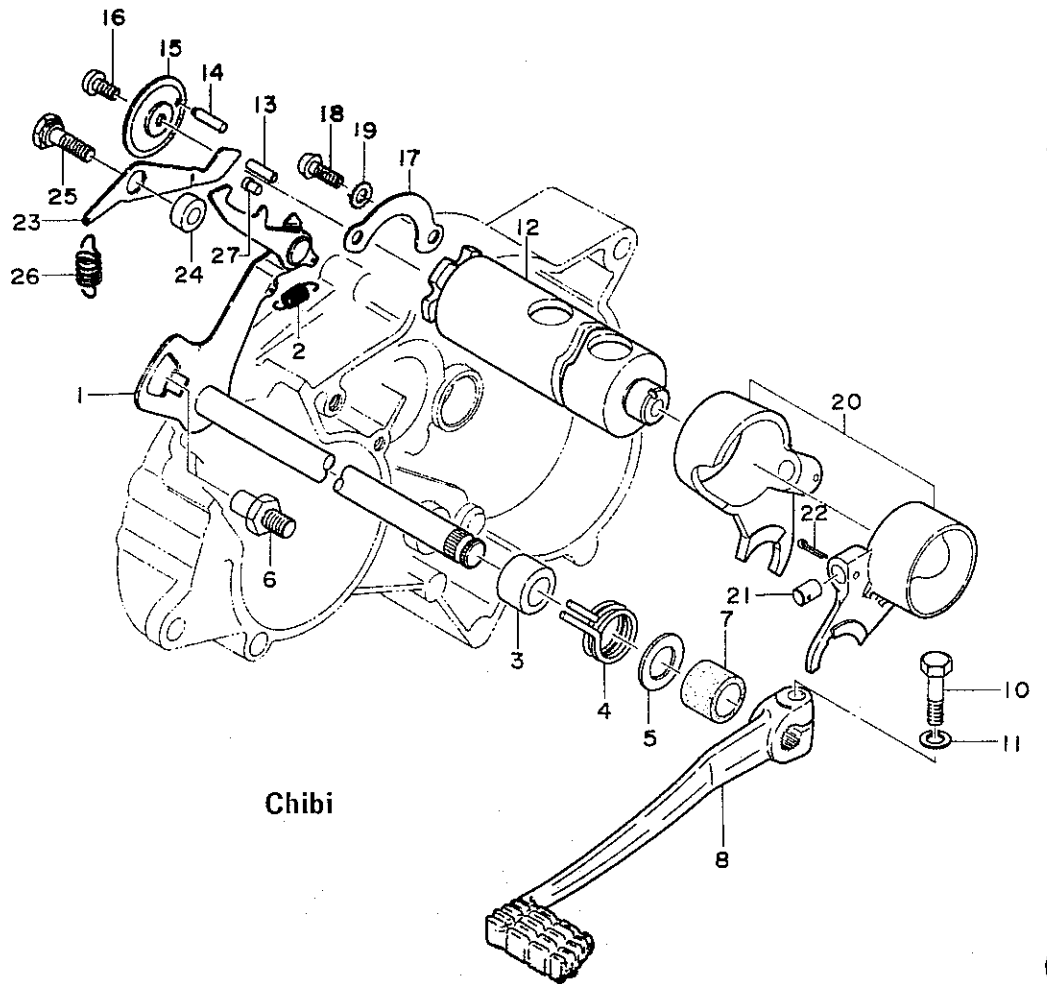
FIGURE 6 - CLUTCH

FIGURE 6 - CLUTCH

(C430 - C435 CHIBI: C440 - C445 TORA)

REF. NO.	PART NUMBER	DESCRIPTION	QUANTITY REQUIRED			
			C430 CHIBI	C435 CHIBI DELUXE	C440 TORA	C445 TORA DELUXE
1	334 11501 200	Clutch Hub	1	1	1	1
2	2216 5000	Outer Plate	1	1	1	1
3	2214 5000	Friction Plate	3	3	3	3
4	2215 5000	Inner Plate	2	2	2	2
5	2210 3200	Pressure Plate Complete	1	1	1	1
6	2218 5000	Clutch Spring	6	6	6	6
7	2227 5000	Clutch Set Plate Complete	1	1	1	1
8	0113 0512	Bolt 5 X 12	6	6	6	6
9	2264 8000	Release Screw	1	1	1	1
10	2186 5000	Release Screw Gasket	1	1	1	1
11	0331 0614	Screw 6 X 14	2	2	2	2
12	2265 5000	*Release Screw - Before Serial 704003	1	-	-	-
	579 34301 201	*Release Screw - After Serial 704003	1	1	1	1
13	2272 5000	Release Guide Washer	1	1	1	1
14	09090 102	Oil Seal #15213	1	1	1	1
15	09056 105	6 X 10 Dowel	1	1	1	1
16	2267 8000	Release Adjusting Screw	1	1	1	1
17	2260 5000	Release Arm Complete	1	1	1	1
18	2268 5000	Release Adjusting Screw Washer	1	1	1	1
19	0222 0600	Nut 6 mm	1	1	1	1
20	2271 5000	Release Arm Return Spring	1	1	1	1

\*Interchangeable



**FIGURE 7 — TRANSMISSION SHIFTER**

FIGURE 7 - CHANGE SHAFT AND SHIFT DRUM

(C430 - C435 CHIBI: C440 - C445 TORA)

REF. NO.	PART NUMBER	DESCRIPTION	QUANTITY REQUIRED			
			C430 CHIBI	C435 CHIBI DELUXE	C440 TORA	C445 TORA DELUXE
1	2510 3201	Change Arm Complete	1	1	1	1
2	2517 5000	Drum Shifter Spring	1	1	1	1
3	2557 8000	Change Shaft Spacer	1	1	1	1
4	2551 5000	Change Shaft Return Spring	1	1	1	1
5	2552 3002	Change Shaft Spring Seat	1	1	1	1
6	2553 5000	Change Arm Stopper Pin	1	1	1	1
7	2156 5000	Gear Change Shaft Rubber	1	1	1	1
8	509 34301 200	*Pedal - Before Serial 703209	1	-	-	-
8	509 34301 201	*Pedal - After Serial 703209	1	1	-	-
8	509 34401 200	*Pedal	-	-	1	1
9	2582 5000	Rubber - Deleted After Serial 703209	1	-	-	-
10	0113 0620	Bolt 6 X 20	1	1	1	1
11	0431 0615	6 mm Spring Washer	1	1	1	1
12	521 34301 200	Shift Drum	1	1	-	-
12	521 34301 201	Shift Drum	-	-	1	1
13	2522 3200	Shift Pin A	3	3	4	4
14	2523 3200	Shift Stopper Pin Holder	1	1	1	1
15	2524 3200	Shift Pin Holder	1	1	1	1
16	0311 0512	Shift Screw 5 X 12	1	1	1	1
17	2549 3200	Drum Guide Plate	1	1	1	1
18	0311 0614	Screw 6 X 14	2	2	2	2
19	0441 0611	6 mm Internal Tooth Washer	2	2	2	2
20	2541 3200	Shift Fork	2	2	2	2
21	2544 3200	Fork Guide	2	2	2	2
22	0551 2525	Split Pin 2.5 X 25	2	2	2	2
23	2531 3200	Drum Stopper Arm	1	1	1	1
24	2537 5000	Drum Stopper Spacer	1	1	1	1
25	2536 5000	Drum Stopper Bolt	1	1	1	1
26	2538 5000	Drum Stopper Spring	1	1	1	1
27	532 34301 200	Shift Pin B	1	1	-	-
28	542 34401 200	Shift Stopper Cover	-	-	1	1
29	543 34401 200	Shift Stopper Boss	-	-	1	1
30	993 22030 200	Parallel Pin 3 X 12	-	-	1	1
31	993 20020 142	Taper Pin 2 X 14	-	-	1	1
32	990 11050 220	Screw 5 X 22 mm	-	-	3	3
34	510 34301 200	Pedal Rubber	-	-	1	1

\*Interchangeable



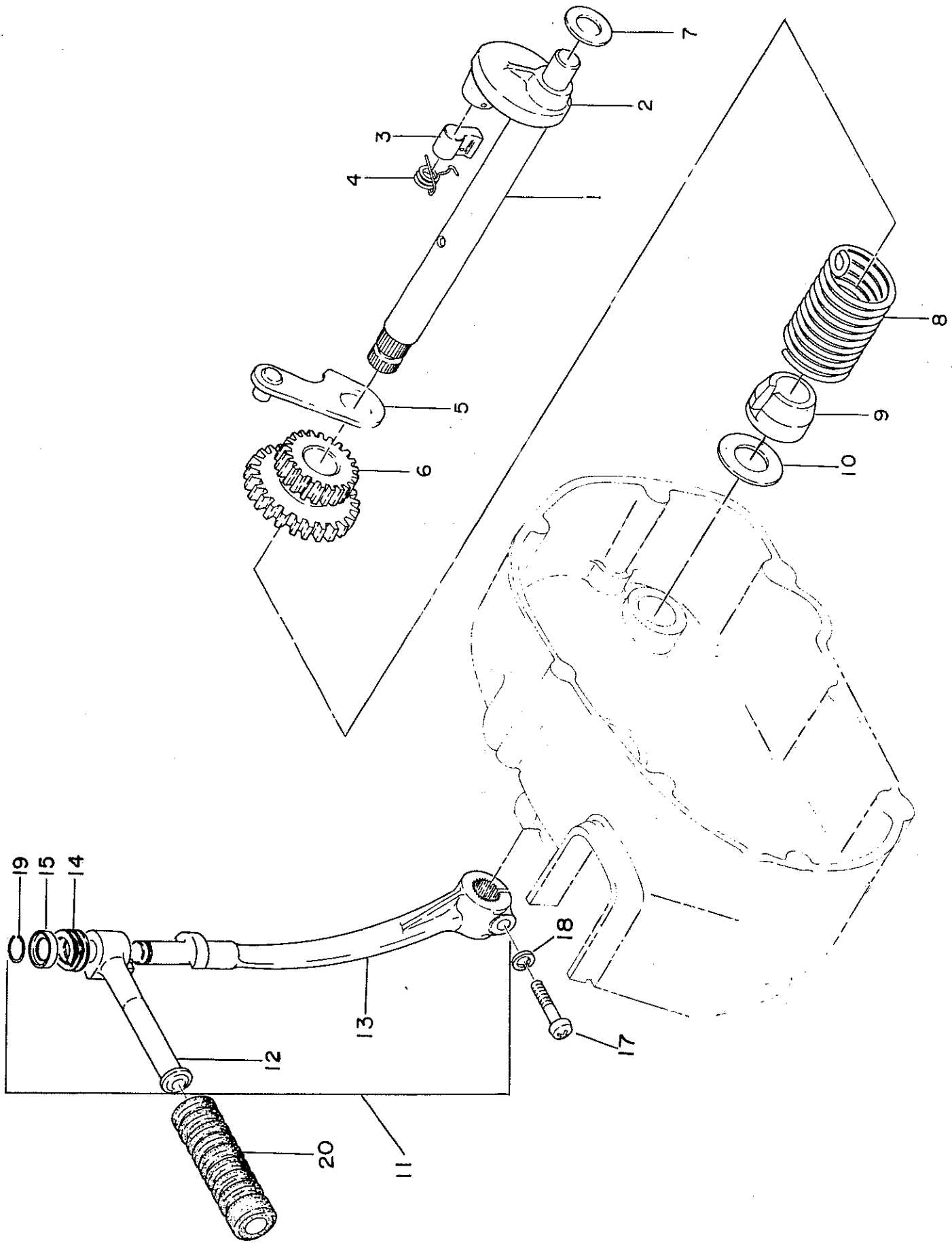
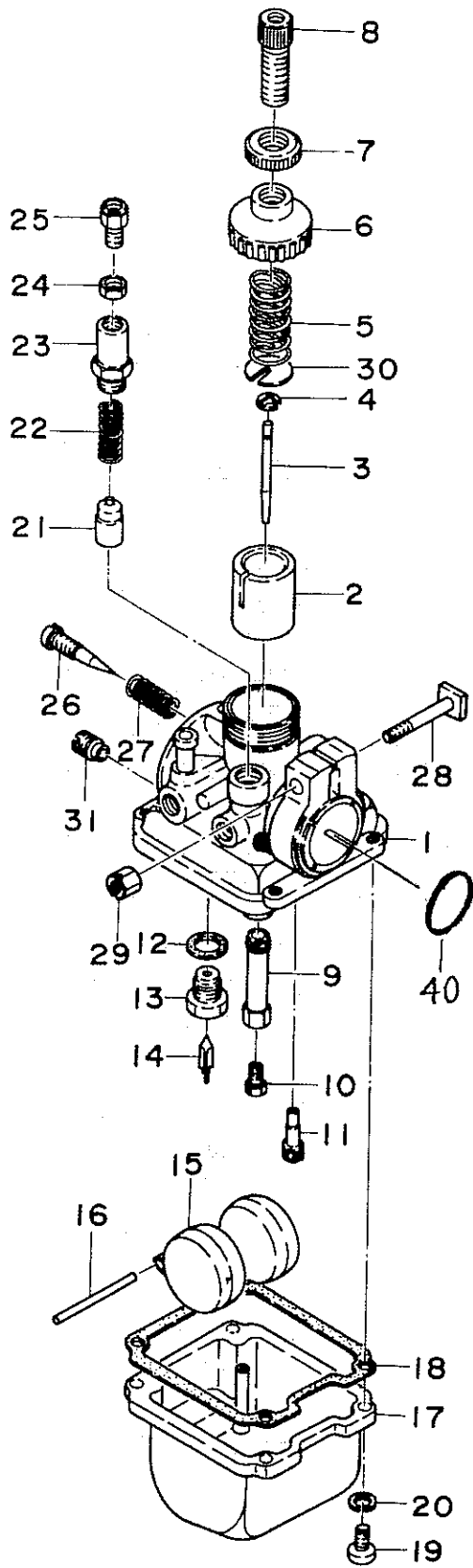


FIGURE 8 -- KICK STARTER

FIGURE 8 - KICK STARTER

(C430 - C435 CHIBI: C440 - C445 TORA)

REF. NO.	PART NUMBER	DESCRIPTION	QUANTITY REQUIRED			
			C430 CHIBI	C435 CHIBI DELUXE	C440 TORA	C445 TORA DELUXE
1	2621 5002	Kick Starter Shaft	1	1	1	1
2	2632 5000	Kick Starter Ratchet Arm	1	1	1	1
3	2633 5000	Ratchet	1	1	1	1
4	2634 5000	Ratchet Spring	1	1	1	1
5	2635 5000	Ratchet Stopper Complete	1	1	1	1
6	2631 3200	Starter Gear C	1	1	1	1
7	09048 101	#12 Thrust Washer	1	1	1	1
8	2636 5001	Starter Return Spring	1	1	1	1
9	2638 3200	Return Spring Spacer	1	1	1	1
10	2272 5000	Release Guide Washer	2	2	2	2
11	547 34301 900	Kick Starter Arm Assembly	1	1	1	1
12	501 34301 200	Kick Starter Pedal	1	1	1	1
13	547 34301 000	Kick Starter Arm	1	1	1	1
14	563 34301 200	Kick Starter Pedal Spring	1	1	1	1
15	569 34301 200	Washer	1	1	1	1
19	570 34301 200	Snap Ring	1	1	1	1
20	562 34301 200	Kick Starter Pedal Rubber	1	1	1	1
17	0113 0626	Bolt 6 X 25 mm	1	1	1	1
18	0431 0615	6 mm Spring Washer	1	1	1	1

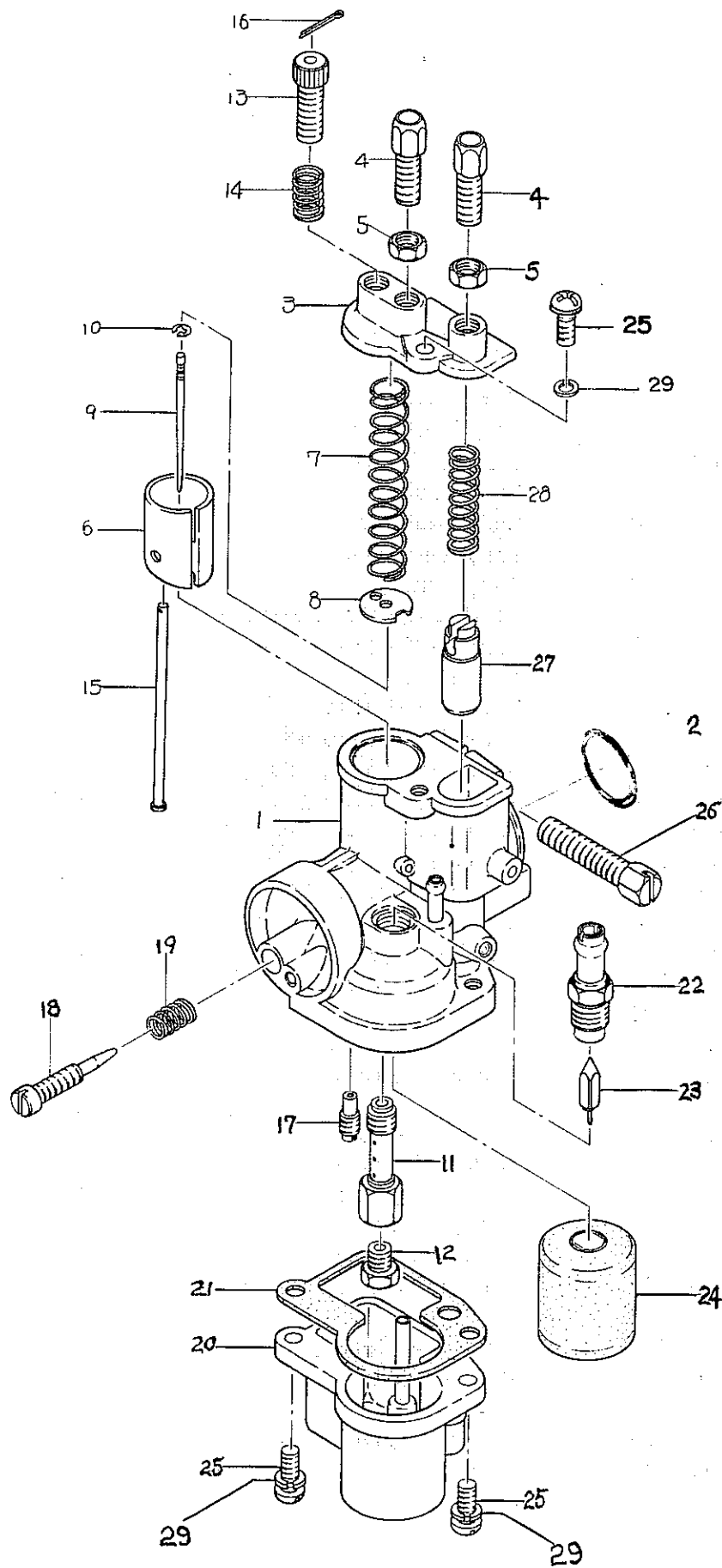


**FIGURE 9 — CARBURETOR**

FIGURE 9 - CARBURETOR

(C430 - C435 CHIBI ONLY)

<u>REF.</u> <u>NO.</u>	<u>PART</u> <u>NUMBER</u>	<u>DESCRIPTION</u>	<u>QUANTITY REQUIRED</u>	
			<u>C430</u> <u>CHIBI</u>	<u>C435</u> <u>CHIBI DELUXE</u>
	455 20600 900	Carburetor Assembly	1	1
1	590 20600 200	Carburetor Body	1	1
2	591 20600 200	Throttle Valve	1	1
3	592 20600 200	Jet Needle	1	1
4	593 20600 200	Jet Needle Clip	1	1
5	594 20600 200	Throttle Valve Spring	1	1
6	595 20600 200	Body Cap	1	1
7	596 20600 200	Cable Adjuster Lock Nut	1	1
8	597 20600 200	Throttle Cable Adjuster	1	1
9	598 20600 200	Needle Jet	1	1
10	599 20600 200	Main Jet - Size #90	1	1
10	599 20600 282	Main Jet - Size #82	-	-
10	599 20600 284	Main Jet - Size #84	-	-
10	599 20600 286	Main Jet - Size #86	-	-
10	599 20600 288	Main Jet - Size #88	-	-
11	600 20600 200	Pilot Jet	1	1
12	601 20600 200	Needle Seat Packing	1	1
13	602 20600 200	Needle Seat	1	1
14	603 20600 200	Needle Valve	1	1
15	604 20600 200	Float Assembly	1	1
16	605 20600 200	Float Pin	1	1
17	606 20600 200	Float Chamber	1	1
18	607 20600 200	Chamber Packing	1	1
19	0361 0410	Screw 4 X 10 mm	4	4
20	0431 0410	Spring Washer	4	4
21	610 20600 200	Starter Plunger	1	1
22	611 20600 200	Plunger Spring	1	1
23	612 20600 200	Plunger Cap	1	1
24	613 20600 200	Cable Adjuster Lock Nut	1	1
25	614 20600 200	Starter Cable Adjuster	1	1
26	615 20600 200	Air Screw	1	1
27	616 20600 200	Air Screw Spring	1	1
28	617 20600 200	Body Band Bolt	1	1
29	618 20600 200	Body Band Nut	1	1
30	619 20600 200	Throttle Spring Seat	1	1
31	620 20600 200	Air Jet	1	1
40	09066 102	#17 O Ring	1	1



**FIGURE 9A - CARBURETOR**

FIGURE 9A - CARBURETOR

(C440 - C445 TORA ONLY)

REF. NO.	PART NUMBER	DESCRIPTION	QUANTITY REQUIRED	
			C440 TORA	C445 TORA DELUXE
	455 20800 900	Carburetor Assembly	1	1
1	590 20800 200	Carburetor Body	1	1
2	234 34301 200	#17 O Ring	1	1
3	595 20000 200	Body Cap	1	1
4	597 20800 200	Cable Adjuster	2	2
5	596 20800 200	Cable Adjuster Lock Nut	2	2
6	591 20800 200	Throttle Valve	1	1
7	594 20800 200	Throttle Valve Spring	1	1
8	619 20800 200	Throttle Spring Seat	1	1
9	592 20800 200	Jet Needle	1	1
10	593 20800 200	Jet Needle Clip	1	1
11	598 20800 200	Needle Jet	1	1
12	599 20800 200	Main Jet - Size 86	1	1
12	599 20800 284	Main Jet - Size 84	-	-
12	599 20800 282	Main Jet - Size 82	-	-
12	599 20800 280	Main Jet - Size 80	-	-
13	522 20800 200	Adjuster Screw	1	1
14	523 20800 200	Adjuster Spring	1	1
15	524 20800 200	Adjuster Rod	1	1
16	0551 1010	Split Pin	1	1
17	600 20800 200	Pilot Jet	1	1
18	615 20800 200	Air Screw	1	1
19	616 20800 200	Air Screw Spring	1	1
20	606 20800 200	Float Chamber	1	1
21	607 20800 200	Chamber Packing	1	1
22	602 20800 200	Needle Seat	1	1
23	603 20800 800	Needle Valve Assembly	1	1
24	604 20800 800	Float Assembly	1	1
25	0361 0410 100	4 X 10 mm Screw	3	3
26	617 20800 200	Body Band Bolt	1	1
27	610 20800 200	Starter Plunger	1	1
28	611 20800 200	Plunger Spring	1	1
29	0431 0410	4 mm Spring Washer	3	3

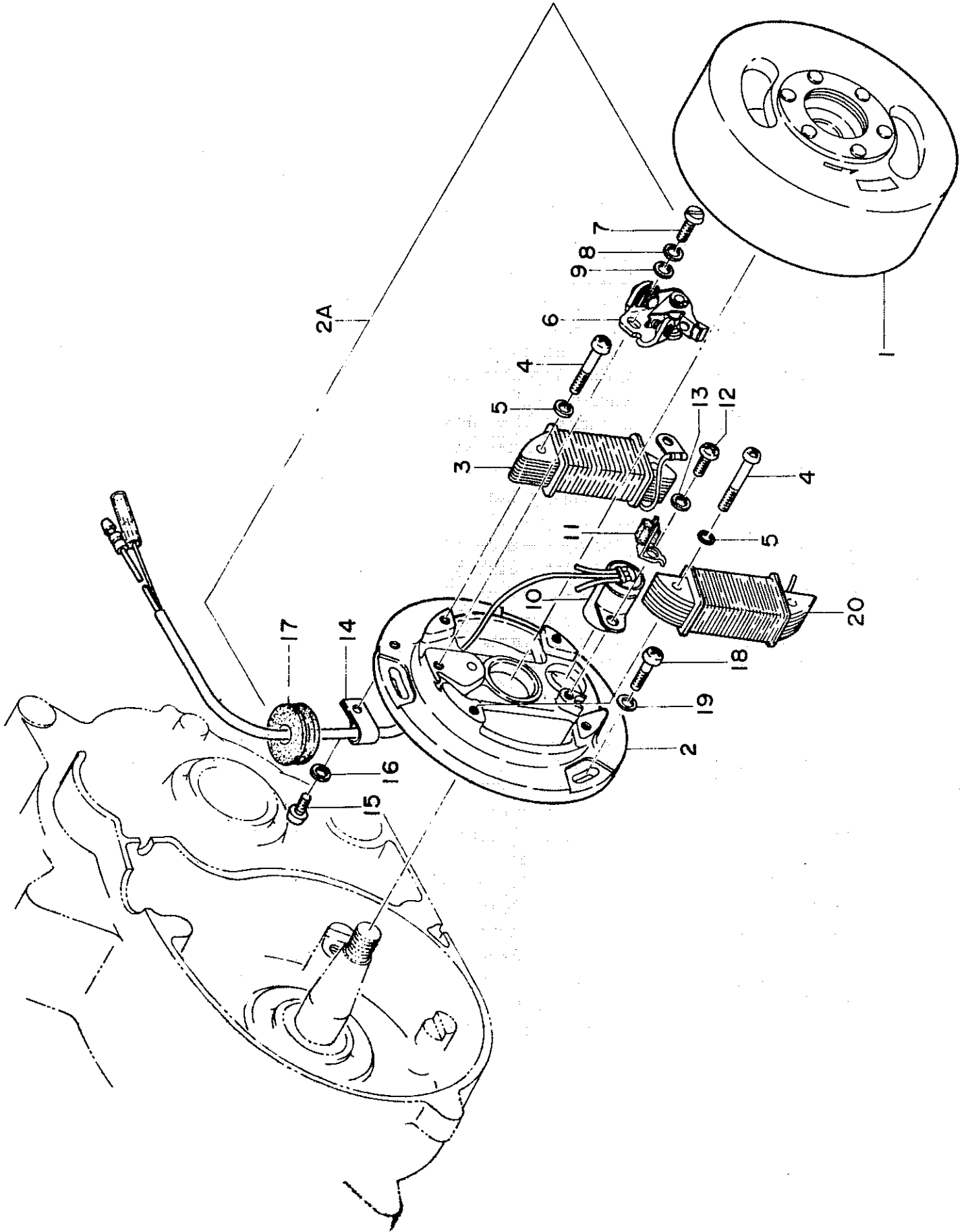


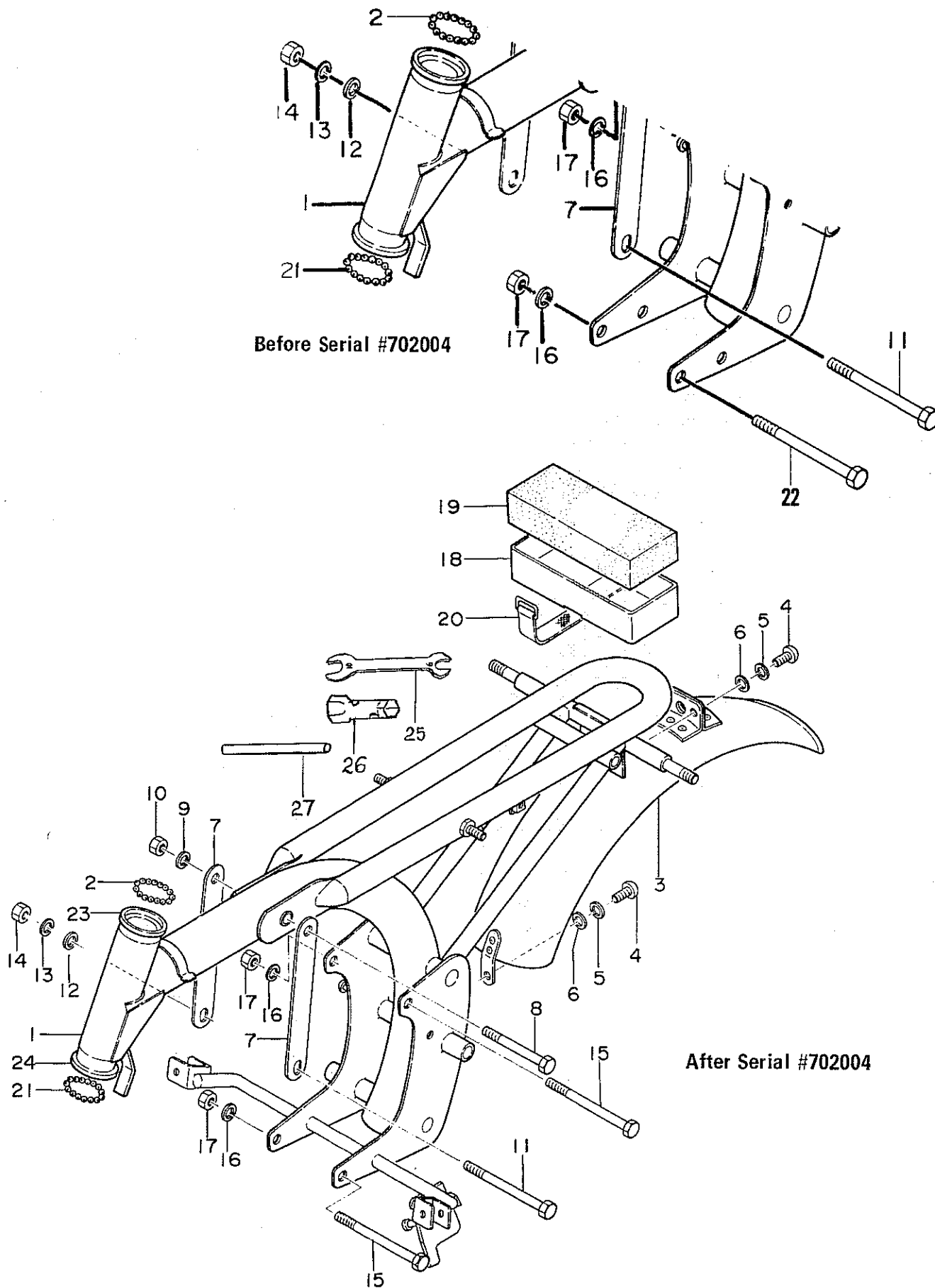
FIGURE 10 - MAGNETO

FIGURE 10 - MAGNETO

(C430 - C435 CHIBI: C440 - C445 TORA)

REF. NO.	PART NUMBER	DESCRIPTION	QUANTITY REQUIRED			
			C430 CHIBI	C435 CHIBI DELUXE	C440 TORA	C445 TORA DELUXE
	150 20900 900	Magneto Assembly	1	-	-	-
	150 20901 900	Magneto Assembly	-	1	1	-
	150 20902 900	Magneto Assembly	-	-	-	1
1	155 20900 800	Flywheel Magneto	1	1	1	-
1	155 20902 800	Flywheel Magneto	-	-	-	1
2A	159 20900 900	Magneto Base Assembly	1	-	-	-
2A	159 20901 900	Magneto Base Assembly	-	1	1	-
2A	159 20902 900	Magneto Base Assembly	-	-	-	1
2		Base	1	1	1	1
3	170 20900 200	Primary Coil	1	1	1	-
3	170 20902 200	Primary Coil	-	-	-	1
4	0361 0424	Screw 4 X 25	2	4	4	4
5	0431 0410	4 mm Spring Washer	2	4	4	4
6	168 20900 800	Contact Breaker	1	1	1	1
7	0311 0412	Screw 4 X 12 mm	1	1	1	1
8	0431 0410	4 mm Spring Washer	1	1	1	1
9	0411 0410	4 mm Washer	1	1	1	1
10	177 20900 900	Condenser	1	1	1	1
11	185 20900 900	Oil Slipper	1	1	1	1
12	0361 0410	Screw 4 X 10	1	1	1	1
13	0431 0410	4 mm Spring Washer	1	1	1	1
14	252 20900 900	Clamp	1	1	1	1
17	250 20900 200	Wire Harness & Grommet	1	-	-	-
17	250 20901 200	Wire Harness & Grommet	-	1	1	-
17	250 20902 200	Wire Harness & Grommet	-	-	-	1
20	171 20901 800	Lighting Coil	-	1	1	-
20	171 20902 800	Lighting Coil	-	-	-	1
15	990 11040 061	Screw 4 X 6	1	1	1	1
16	0431 0410	4 mm Spring Washer	1	1	1	1
18	0311 0514	Screw 5 X 14	3	3	3	3
19	0411 0512	5 mm Plain Washer	3	3	3	3





**FIGURE 11 - FRAME**

FIG. 11 - FRAME

(C430-C435 CHIBI ONLY)

REF. NO.	PART NUMBER	DESCRIPTION	QUANTITY REQUIRED	
			C430 CHIBI	C435 CHIBI DELUXE
1	050 34301 800	**Frame - Before Serial 702004	1	-
	050 34301 801	**Frame - After Serial 702004	1	-
1	050 34302 800	**Frame	-	1
2	0611 0532	5/32" Steel Ball	26	26
3	087 34301 800	Rear Fender Complete-Silver	1	-
3	087 34302 800	Rear Fender Complete-Tangerine	-	1
4	0311 0612	Screw 6 X 12	3	3
5	0431 0615	6 mm Spring Washer	3	3
6	0411 0613	6 mm Washer	3	3
7	076 34301 200	Engine Stay	2	-
7	076 34302 200	Engine Stay (Chrome)	-	2
8	0113 0880	Bolt 8 X 75 mm	1	1
9	0411 0818	8 mm Washer	1	1
10	0211 0800	8 mm Nut	1	1
11	09011 102	Bolt 8 X 100 mm	1	1
12	0411 0818	8 mm Washer	1	1
13	0431 0820	8 mm Spring Washer	1	1
14	0211 0800	8 mm Nut	1	1
15	09511 101	8 X 110 mm Bolt - Before Serial 702004	1	-
	09511 101	8 X 110 mm Bolt - After Serial 702004	2	2
16	0431 0820	8 mm Spring Washer	2	2
17	0211 0800	8 mm Nut	2	2
18	398 34301 200	Tool Box	1	1
19	399 34301 200	Tool Box Rubber	1	1
20	400 34301 800	Tool Box Band	1	1
21	0611 0316	3/16" Steel Ball	23	23
22	09511 110	8 X 120 mm Bolt - Deleted After Serial 702004	1	-
23	091 34301 200	Outer Race Upper	1	1
24	094 34301 200	Outer Race Lower	1	1
25	802 20000 200	9 X 10 Spanner	1	1
26	823 20000 200	17 X 21 Box Spanner	1	1
27	951 20000 200	8 X 120 Box Handle	1	1

\*\*Not Interchangeable

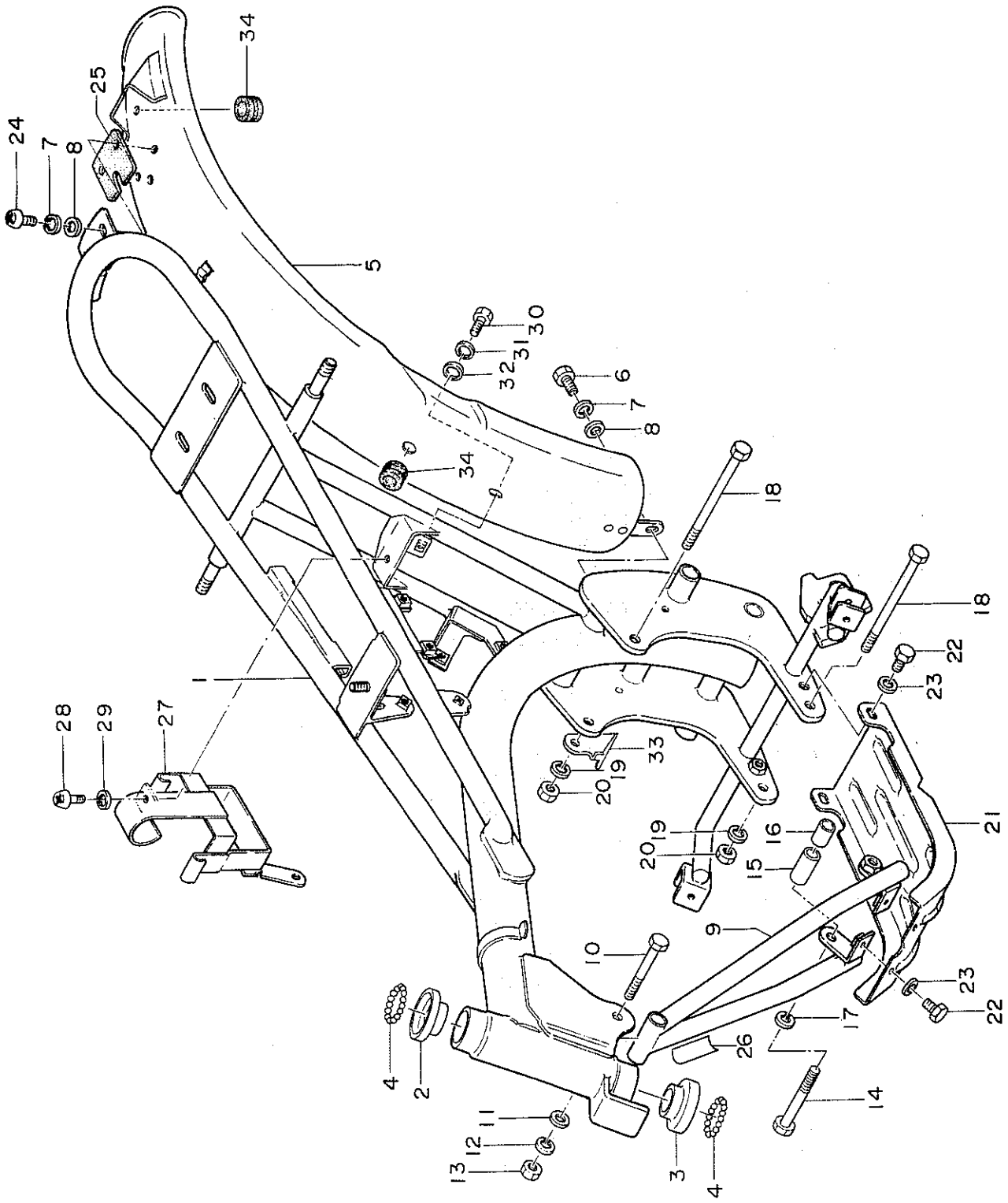


FIGURE 11A — FRAME

FIGURE 11A - FRAME

(C440-C445 TORA ONLY)

REF. NO.	PART NUMBER	DESCRIPTION	QUANTITY REQUIRED	
			C440 TORA	C445 TORA DELUXE
1	050 34401 800	Frame	1	-
1	050 34402 800	Frame	-	1
2	091 34401 200	Race Outer (Upper)	1	1
3	094 34301 200	Race Outer (Lower)	1	1
4	0611 0316	3/16" Steel Ball	46	46
5	087 34401 800	Rear Fender Complete	1	-
5	087 34402 800	Rear Fender	-	1
6	0112 0614	6 X 14 mm Bolt	1	1
7	0431 0615	6 mm Spring Washer	4	4
8	0411 0613	6 mm Washer	4	4
9	076 34401 800	Engine Stay Complete	1	1
10	0113 0862	8 X 60 mm Bolt	1	1
11	0411 0818	8 mm Washer	1	1
12	0431 0820	8 mm Spring Washer	1	1
13	0211 0800	8 mm Nut	1	1
14	990 21080 926	8 X 92 mm Bolt	1	1
15	772 34401 200	Engine Stay Collar A	1	1
16	773 34401 200	Engine Stay Collar B	1	1
17	0431 0820	8 mm Spring Washer	1	1
18	990 21081 106	8 X 110 mm Bolt	2	2
19	0431 0820	8 mm Spring Washer	2	2
20	0211 0800	8 mm Nut	2	2
21	770 34401 800	Engine Protector	1	1
22	0111 0616	6 X 16 mm Bolt	4	4
23	0411 0613	6 mm Washer	4	4
24	0311 0618	6 X 18 mm Screw	3	3
25	476 34401 200	Tail Lamp Bracket Rubber	1	1
26	918 11501 200	Made in Japan Decal	1	1
27	813 34402 200	Battery Box	-	1
28	0311 0614	6 X 14 mm Screw	-	1
29	0411 0613	6 mm Washer	-	1
30	0112 0614	6 X 14 mm Bolt	-	1
31	0431 0615	6 mm Spring Washer	-	1
32	0411 0613	6 mm Washer	-	1
33	819 34402 200	Stop switch bracket	-	1
34	789 34402 200	Grommet	-	2

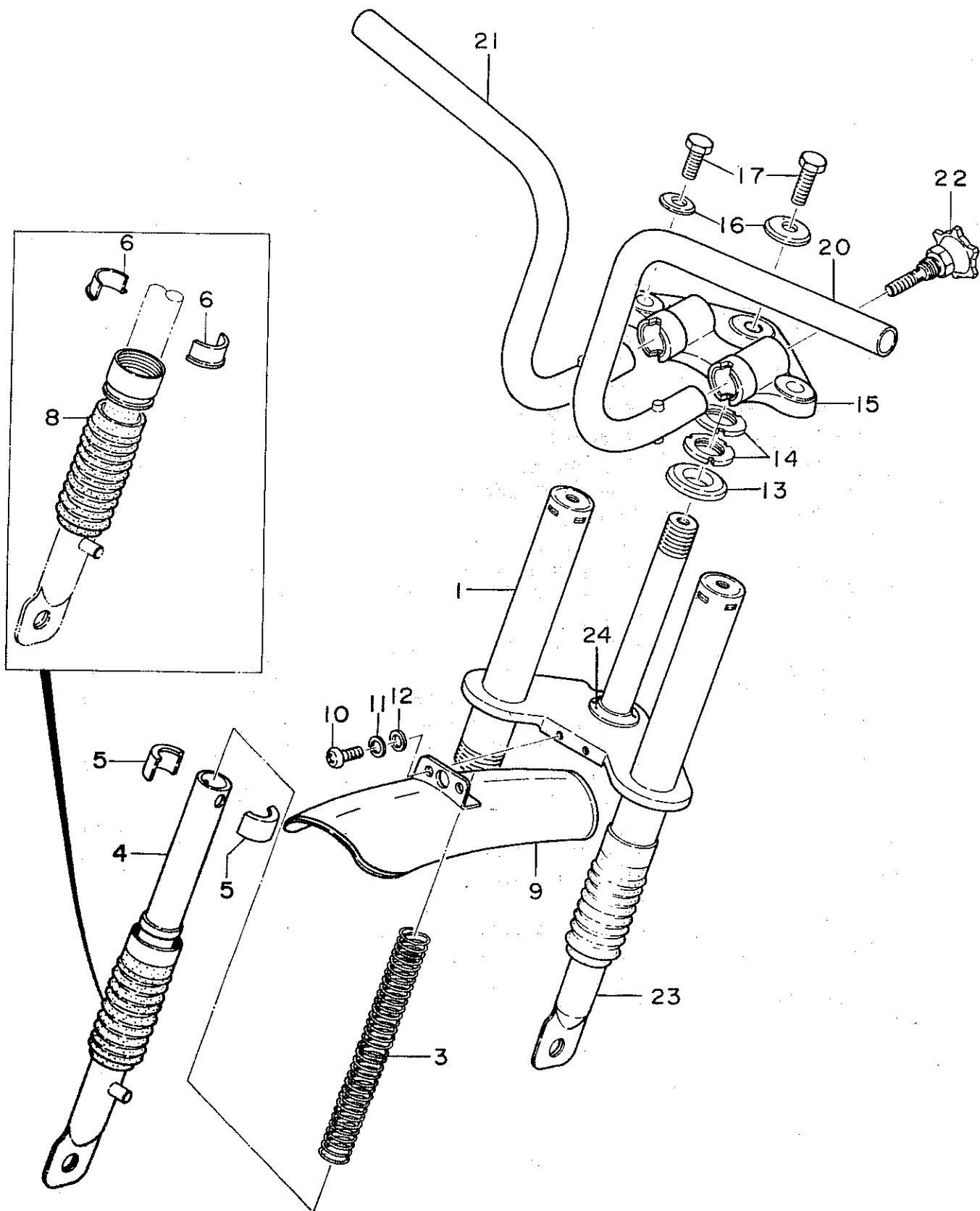


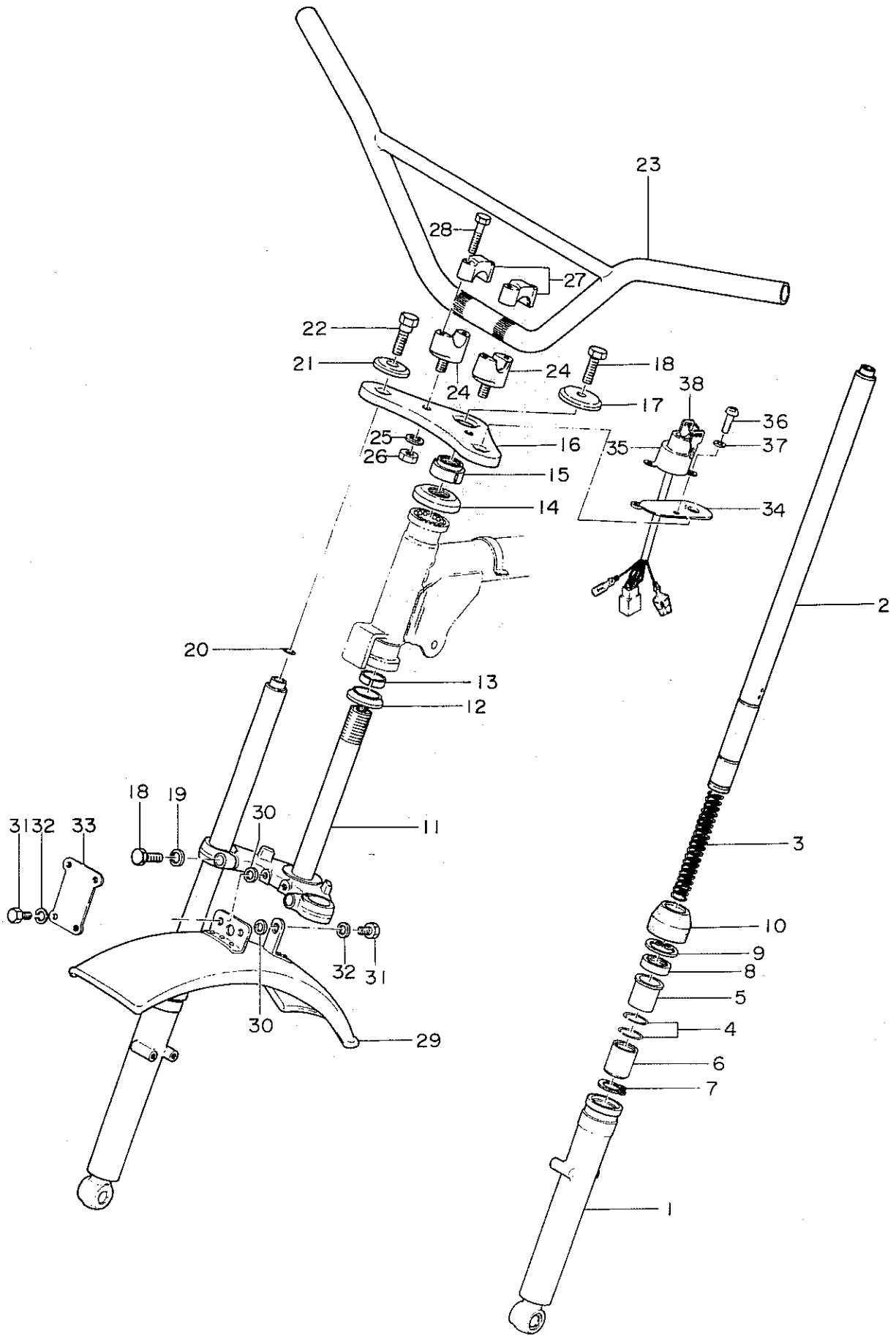
FIGURE 12 — FRONT FORK AND HANDLEBAR

FIG. 12 - FRONT FORK  
(C430-C435 CHIBI ONLY)

REF. NO.	PART NUMBER	DESCRIPTION	QUANTITY REQUIRED	
			C430 CHIBI	C435 CHIBI DELU
1	161 34301 800	Fork Support Complete	1	-
1	161 34302 800	Fork Support Complete(Tangerine) -	-	1
2	166 34301 200	Fork Cushion Rubber - Deleted After 702500	2	-
3	190 34301 200	Fork Spring - Before Serial 702500	2	-
	190 34301 201	**Fork Spring - After Serial 702500	2	2
4	171 34301 800	Lower Fork Pipe R.H.	1	1
5	173 34301 200	Fork Upper Bushing	4	4
6	174 34301 200	Fork Lower Bushing	4	4
8	187 34301 200	Fork Boot	2	2
9	195 34301 800	Front Fender Complete - Silver	1	-
9	195 34302 800	Front Fender Complete - Tangerine	-	1
10	0311 0612	Screw 6 X 12	2	2
11	0431 0615	6 mm Spring Washer	2	2
12	0411 0613	6 mm Washer	2	2
13	092 34301 200	Inner Race Upper	1	1
14	096 34301 200	Race Lock Nut - Before Serial 701467	1	-
	096 34301 200	Race Lock Nut After Serial 701467	2	2
15	169 34301 800	Fork Handle Holder - Before Serial 702790	1	-
	169 34301 801	*Fork Handle Holder - After Serial 702790	1	1
16	182 34301 200	Handle Holder Washer	3	3
17	990 21100 306	Bolt 10 X 30 mm	3	3
20	100 34301 800	Handle Complete L.H. - Before Serial 702790	1	-
	100 34301 801	*Handle Complete LH - After Serial 702790	1	1
21	101 34301 800	Handle Complete R.H. - Before Serial 702790	1	-
	101 34301 801	*Handle Complete R.H. - After Serial 702790	1	1
22	150 34301 800	Handle Knob Complete	2	2
23	183 34301 800	Lower Fork Pipe L.H.	1	1
24	095 34301 200	Inner Race Lower	1	1

\*Interchangeable in sets

\*\*Interchangeable



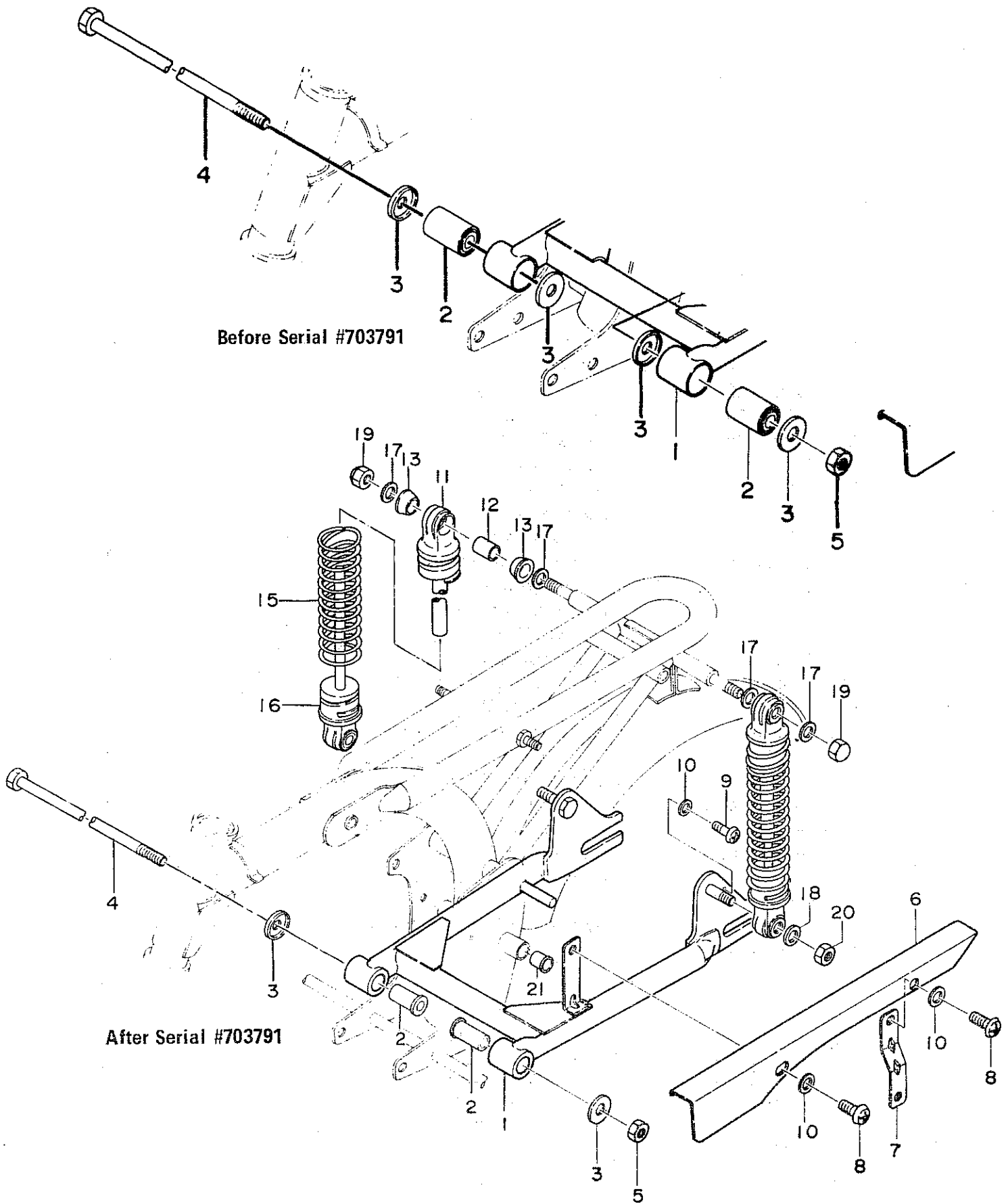
**FIGURE 12A — FRONT FORK AND HANDLEBAR**

FIGURE 12A - FRONT FORK

(C440 - C445 TORA ONLY)

REF. NO.	PART NUMBER	DESCRIPTION	QUANTITY REQUIRED	
			C440 TORA	C445 TORA DELUXE
	184 34401 900	Front Fork Pipe Assembly	2	2
1	171 34401 200	Front Fork Bottom	2	2
2	164 34401 800	Front Fork Pipe	2	2
3	190 34401 200	Front Cushion Spring	2	2
4	178 34401 200	Stopper Ring	4	4
5	173 34401 200	Fork Pipe Guide	2	2
6	174 34401 200	Front Fork Piston	2	2
7	192 34401 200	Fork Piston Snap Ring	2	2
8	999 66253 508	Oil Seal	2	2
9	193 34401 200	Circlip	2	2
10	187 34401 200	Dust Seal	2	2
11	165 34401 800	Fork Bridge (Lower)	1	1
12	095 34301 200	Race Inner (Lower)	1	1
13	188 34301 200	Steering Shim	1	1
14	092 34401 200	Inner Race Upper	1	1
15	096 34401 200	Race Lock Nut	1	1
16	162 34401 200	Fork Support Plate	1	1
17	182 34401 200	Fork Support Washer A	1	1
18	990 21100 306	10 X 30 mm Bolt	3	3
19	0431 1025	10 mm Spring Washer	2	2
20	999 67010 000	P 10 O Ring	2	2
21	189 34401 200	Fork Support Washer B	2	2
22	780 34401 200	Fork Support Bolt	2	2
23	100 34401 200	Handle Bar	1	1
24	156 34401 800	Handle Bar Holder Lower	2	2
25	0431 1025	10 mm Spring Washer	2	2
26	0212 1000	10 mm Nut	2	2
27	155 34401 200	Handle Bar Holder Upper	2	2
28	990 21060 350	6 X 35 mm Bolt	4	4
29	195 34401 800	Front Fender Complete	1	1
30	142 34401 200	Packing	3	3
31	0113 0612	6 X 12 mm Bolt	3	3
32	0431 0615	6 mm Spring Washer	3	3
33	791 34402 200	Horn Bracket	-	1
34	832 34402 800	Main Switch Bracket	-	1
35A	830 34402 900	Main Switch Assembly	-	1
35		Main Switch	-	1
38	831 34402 200	Key	-	1
36	0311 0610	6 X 10 mm Screw	-	2
37	0431 0615	6 mm Spring Washer	-	2





**FIGURE 13 — REAR FRAME AND CUSHION**

FIGURE 13 - REAR FRAME

(C430 - C435 CHIBI ONLY)

REF. NO.	PART NUMBER	DESCRIPTION	QUANTITY REQUIRED	
			C430 CHIBI	C435 CHIBI DELUXE
1	265 34301 800	Rear Fork - Before Serial 703791	1	-
	265 34301 801	Rear Fork - After Serial 703791	1	-
1	265 34302 800	Rear Fork (Tangerine)	-	1
2	274 34301 200	Bushing - Before Serial 703791	2	-
	274 34301 201	Bushing - After Serial 703791	2	2
3	252 34301 200	Shaft Cover - Before Serial 703791	4	-
	252 34301 200	Shaft Cover - After Serial 703791	2	2
4	251 34301 200	Rear Fork Swing Shaft	1	-
4	251 34301 201	*Rear Fork Swing Shaft	-	1
5	0212 1000	10 mm Nut	2	-
5	0261 1000	10 mm Nut	-	1
6	260 34301 200	*Chain Case (Silver)	1	-
6	260 34302 200	*Chain Case (Tangerine)	-	1
7	261 34301 800	Chain Case Stay Complete	1	1
8	0311 0612	Screw 6 X 12 mm	2	2
9	0311 0614	Screw 6 X 15 mm	1	1
10	0411 0613	6 mm Washer	3	3
11	201 34301 800	*Upper Support - Before Serial 704090	2	-
	201 34301 801	*Upper Support - After Serial 704090	2	-
11	201 34302 800	*Upper Support (Chrome)	-	2
12	203 34301 200	Rear Cushion Support Pipe	4	4
13	202 34301 200	Rear Cushion Support Rubber	8	8
15	206 34301 200	Rear Cushion Spring	2	-
15	206 34302 200	*Rear Cushion Spring (Chrome)	-	2
16	204 34301 800	*Lower Support - Before Serial 704090	2	-
	204 34301 801	*Lower Support - After Serial 704090	2	-
16	204 34302 800	*Lower Support (Chrome)	-	2
17	0411 1022	10 mm Washer	4	4
18	0411 1022	10 mm Washer	2	2
19	09525 105	10 mm Cap Nut	2	2
20	0212 1000	10 mm Nut	2	-
20	09525 105	10 mm Cap Nut	-	2
21	277 34301 200	Rear Fork Set Collar	2	2

\*Interchangeable

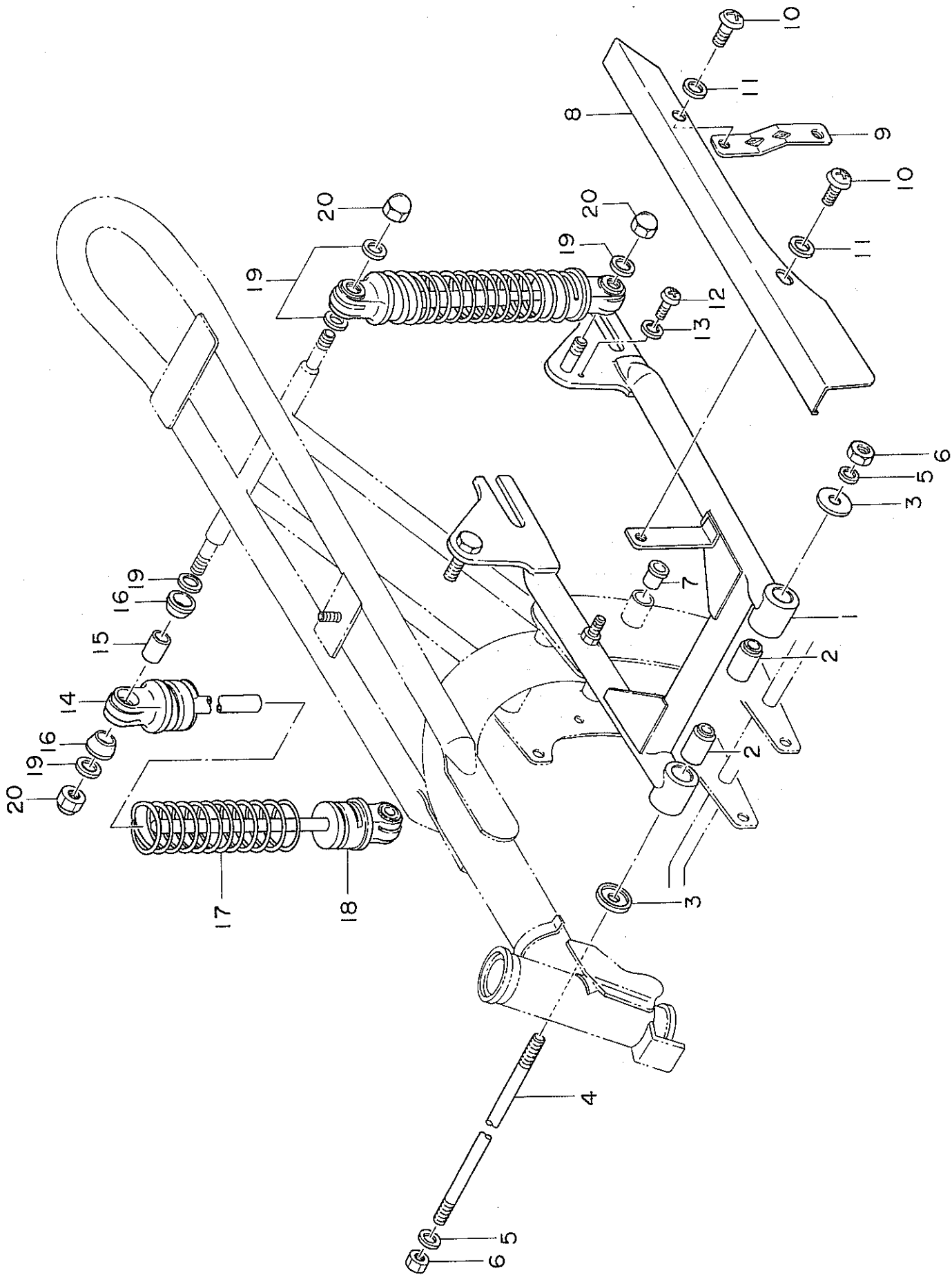


FIGURE 13A - REAR FRAME AND CUSHION

FIGURE 13A - REAR FRAME

(C440 - C445 - TORA ONLY)

REF. NO.	PART NUMBER	DESCRIPTION	QUANTITY REQUIRED	
			C440 TORA	C445 TORA DELUXE
1	265 34401 800	Rear Fork Complete	1	1
2	274 34301 200	Rear Fork Swing Metal	2	2
3	252 34401 200	Fork Swing Metal Cover	2	2
4	251 34401 201	Rear Fork Swing Shaft	1	1
5	0411 1022	10 mm Washer	2	2
6	0212 1000	10 mm Nut	2	2
7	277 34301 200	Rear Fork Set Collar	2	2
8	260 34401 200	Chain Case	1	1
9	261 34401 800	Chain Case Stay Complete	1	1
10	0311 0612	6 X 12 mm Screw	2	2
11	0411 0613	6 mm Washer	2	2
12	0311 0614	6 X 14 mm Screw	1	1
13	0431 0615	6 mm Spring Washer	1	1
14	201 34401 800	Rear Cushion Upper Support	2	2
15	203 34301 200	Rear Cushion Support Pipe	4	4
16	202 34301 200	Rear Cushion Support Rubber	8	8
17	206 34401 200	Rear Cushion Spring	2	2
18	204 34401 800	Rear Cushion Bottom Support	2	2
19	0411 1022	10 mm Washer	6	6
20	09525 105	10 mm Cap Nut	4	4

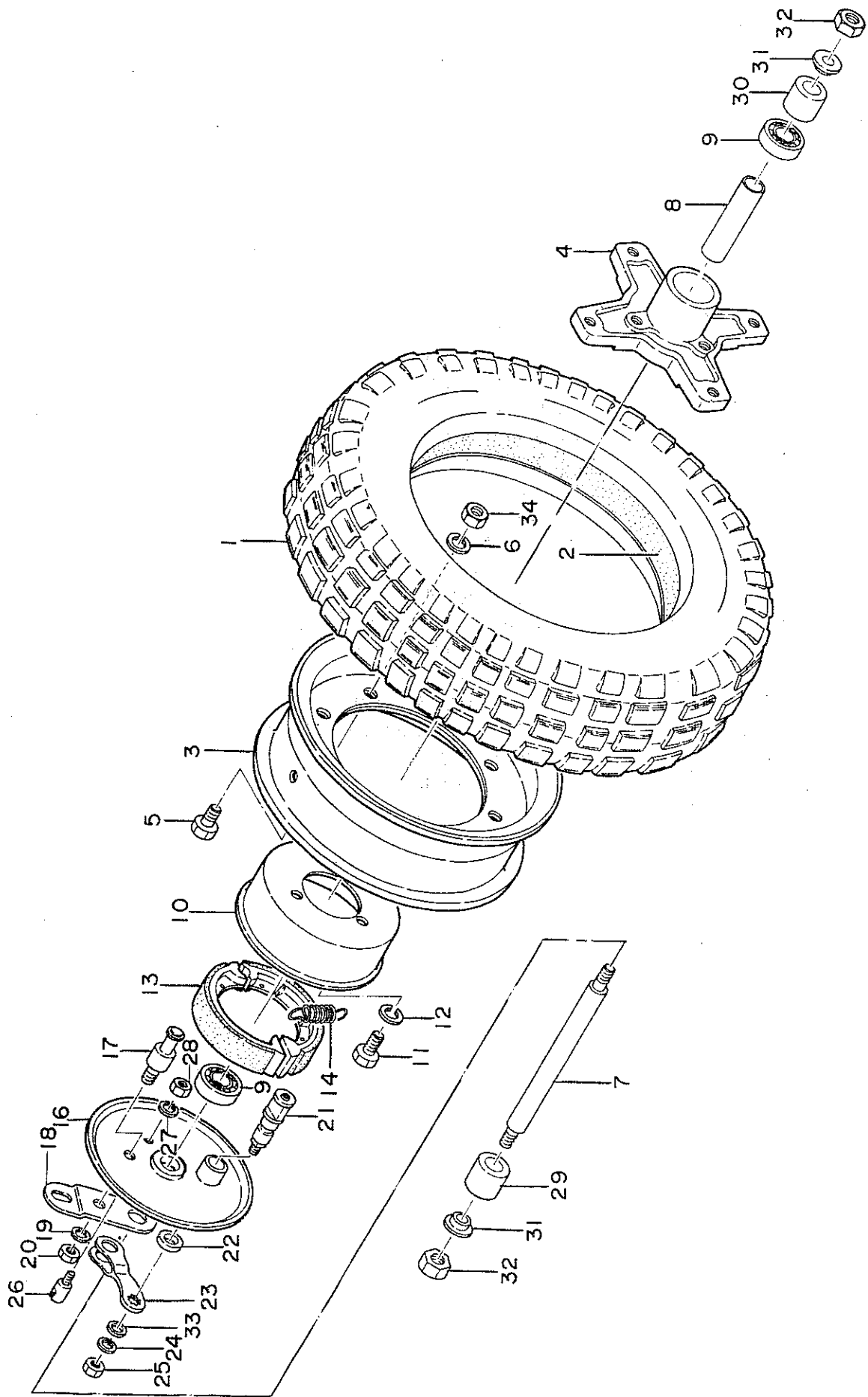


FIGURE 14 - FRONT WHEEL

FIG. 14 - FRONT WHEEL

(C430-C435 CHIBI ONLY)

REF. NO.	PART NUMBER	DESCRIPTION	QUANTITY REQUIRED	
			C430 CHIBI	C435 CHIBI DELUXE
1	332 34301 200	3.50 X 8 Knobby Tire	1	1
2	334 34301 200	3.50 X 8 Tube	1	1
3	338 34301 900	Wheel Disc Assembly	1	1
4	282 34301 200	Front Hub Body	1	1
5	0111 0818	Bolt 8 X 8 mm	8	8
6	0431 0820	8 mm Spring Washer	8	8
7	290 34301 200	Front Hub Shaft	1	1
8	285 34301 200	Hub Bearing Collar	1	1
9	999 61620 202	Bearing #62022	2	2
10	341 34301 200	Brake Drum	1	1
11	990 21080 220	Bolt 8 X 22 mm	3	3
12	0431 0820	8 mm Spring Washer	3	3
13	306 34301 800	Brake Shoe Complete	2	2
14	309 34301 200	Brake Shoe Spring	2	2
15	296 34301 200	Axle Collar -	1	-
		Deleted after Serial 704003		
16	302 34301 800	Brake Cover -	1	-
		Before Serial 704003		
16	302 34301 801	Brake Cover -	1	-
		After Serial 704003		
16	302 34302 800	Brake Cover (Chrome)	-	1
17	308 34301 200	Brake Shaft B	1	1
18	310 34301 200	Brake Torque Lock	2	2
19	0431 1025	10 mm Spring Washer	1	1
20	0212 1000	10 mm Nut	1	1
21	307 34301 800	Brake Cam Shaft	1	1
22	376 34301 200	Brake Cam Shaft Spacer	1	1
23	371 34301 200	Brake Cam Arm	1	1
24	0431 0820	8 mm Spring Washer	1	1
25	0211 0800	8 mm Nut	1	1
26	304 34301 200	Front Brake Wire Holder	1	1
27	0431 0615	6 mm Spring Washer	1	1
28	0222 0600	6 mm Nut	1	1
29	293 34301 200	Front Axle Collar R.H.	1	1
30	292 34301 200	Front Axle Collar L.H.	1	1
31	180 34301 200	Front Shaft Spacer	2	2
32	0212 1000	10 mm Nut	2	2
33	0411 0818	8 mm Washer	1	1
34	0211 0800	8 mm Hex Nut	4	4

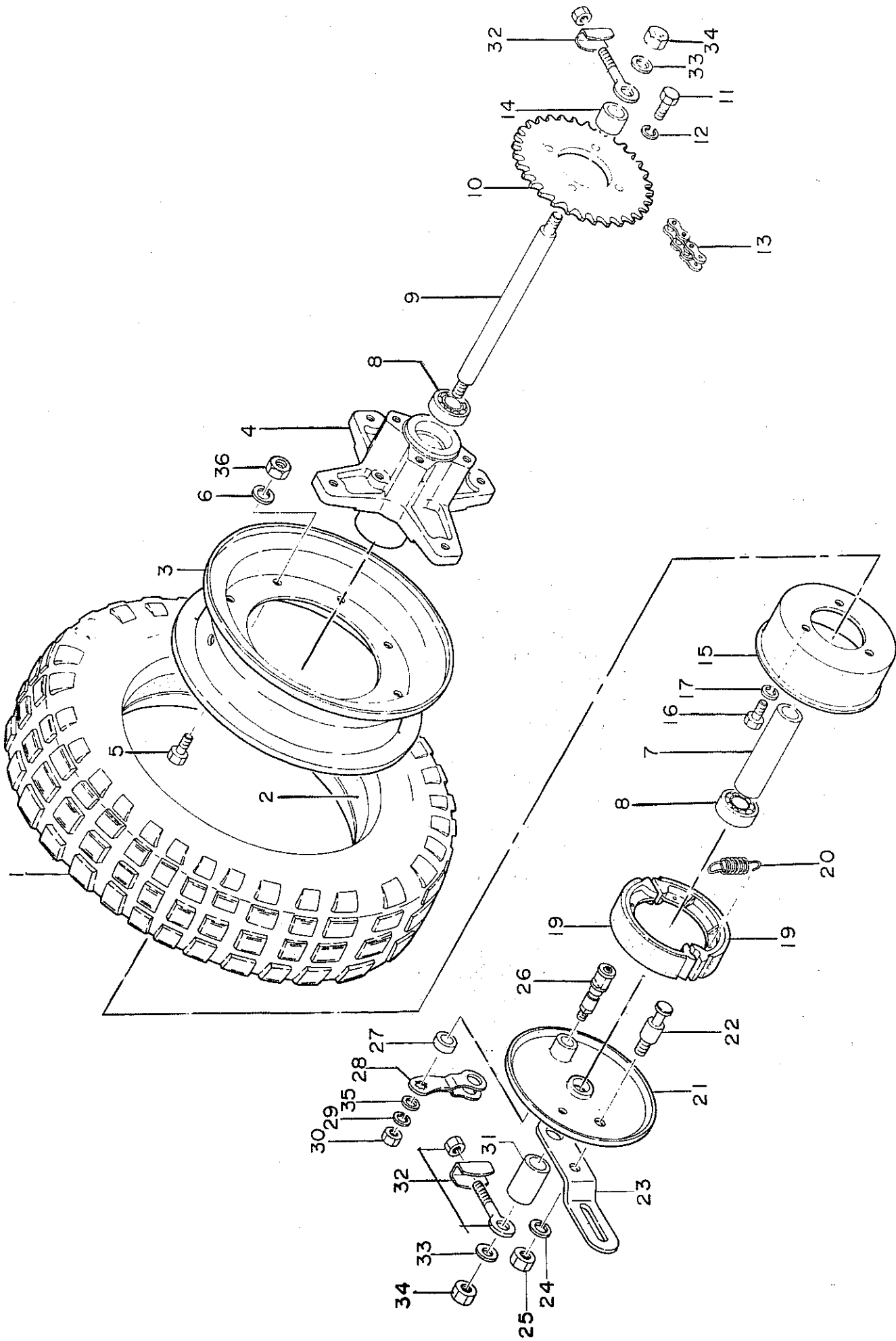
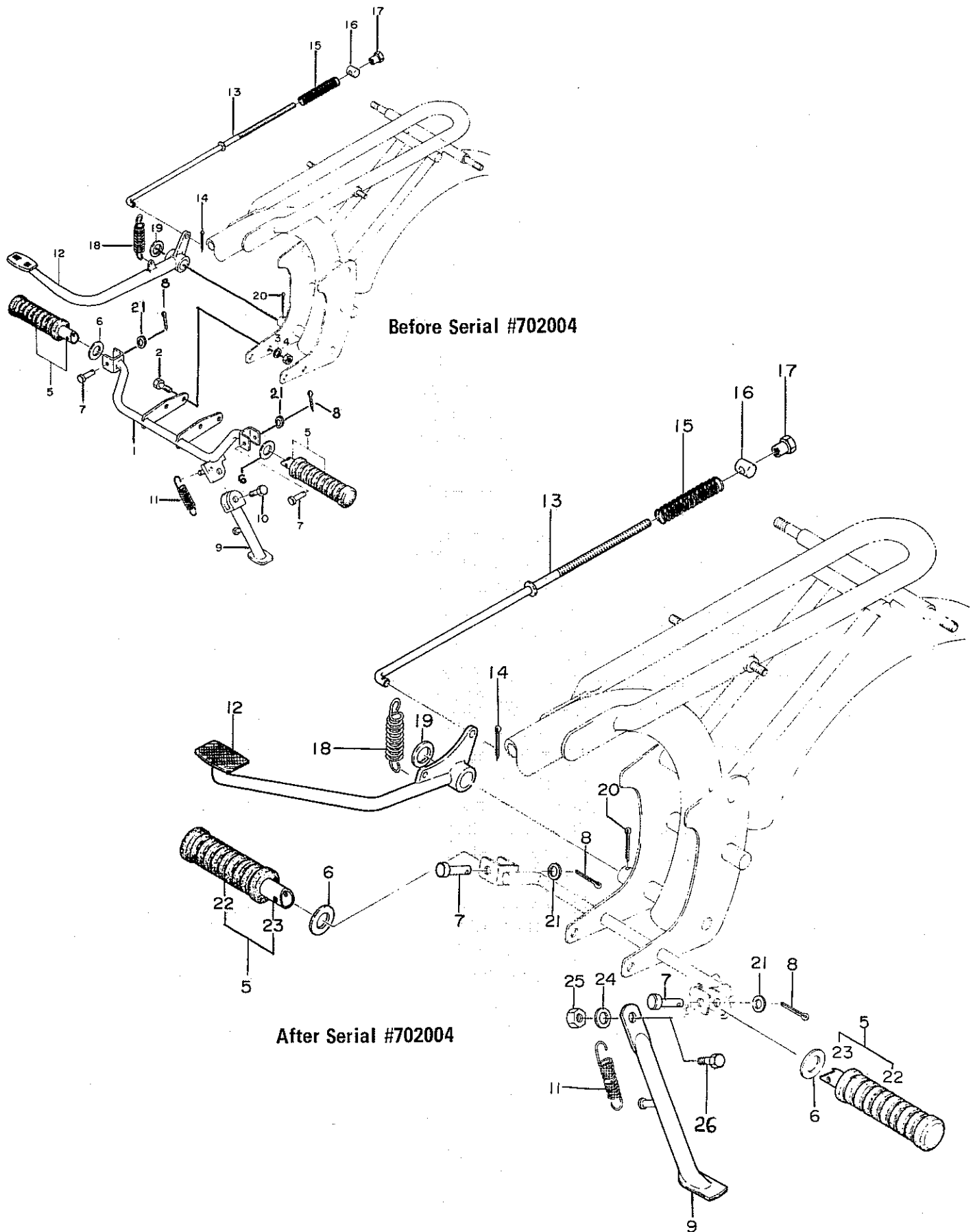


FIGURE 15 — REAR WHEEL

FIG. 15 - REAR WHEEL  
(C430-C435 CHIBI ONLY)

REF NO.	PART NUMBER	DESCRIPTION	QUANTITY REQUIRED	
			C430 CHIBI	C435 CHIBI DELUXE
1	332 34301 200	3.50 X 8 Knobby Tire	1	1
2	334 34301 200	3.50 X 8 Tube	1	1
3	338 34301 900	Wheel Disc Assembly	1	1
4	283 34301 200	Rear Hub Body	1	1
5	0111 0818	Bolt 8 X 18 mm	8	8
6	0431 0820	8 mm Spring Washer	8	8
7	286 34301 200	Rear Hub Collar	1	1
8	999 61620 202	Bearing #62022	2	2
9	291 34301 200	Rear Hub Shaft	1	1
10	343 34301 200	Sprocket	1	1
11	990 21080 220	Bolt 8 X 22 mm	4	4
12	0431 0820	8 mm Spring Washer	4	4
13	346 34301 200	Chain 420-86	1	1
14	294 34301 200	Brake Axle Collar L.H.	1	1
15	341 34301 200	Brake Drum	1	1
16	990 21080 220	Bolt 8 X 22 mm	3	3
17	0431 0820	8 mm Spring Washer	3	3
18	296 34301 200	Axle Collar - Deleted after Serial 704003	1	-
19	306 34301 800	Brake Shoe Complete	2	2
20	309 34301 200	Brake Shoe Spring	2	2
21	302 34301 800	Brake Cover - Before Serial 704003	1	-
21	302 34301 801	Brake Cover - After Serial 704003	1	-
21	302 34302 800	Brake Cover (Chrome)	-	1
22	308 34301 200	Brake Shaft B	1	1
23	377 34301 200	Rear Brake Torque Lock	1	1
24	0431 1025	10 mm Spring Washer	1	1
25	0212 1000	10 mm Nut	1	1
26	307 34301 800	Brake Cam Shaft	1	1
27	376 34301 200	Brake Cam Shaft Spacer	1	1
28	371 34301 200	Brake Cam Arm	1	1
29	0431 0820	8 mm Spring Washer	1	1
30	0211 0800	8 mm Nut	1	1
31	295 34301 200	Rear Axle Collar R.H.	1	1
32	297 34301 900	Chain Tension Assembly	2	2
33	0411 1022	10 mm Washer	2	2
34	0212 1000	10 mm Nut	2	2
35	0411 0818	8 mm Washer	1	1
36	0211 0800	8 mm Hex Nut	4	4



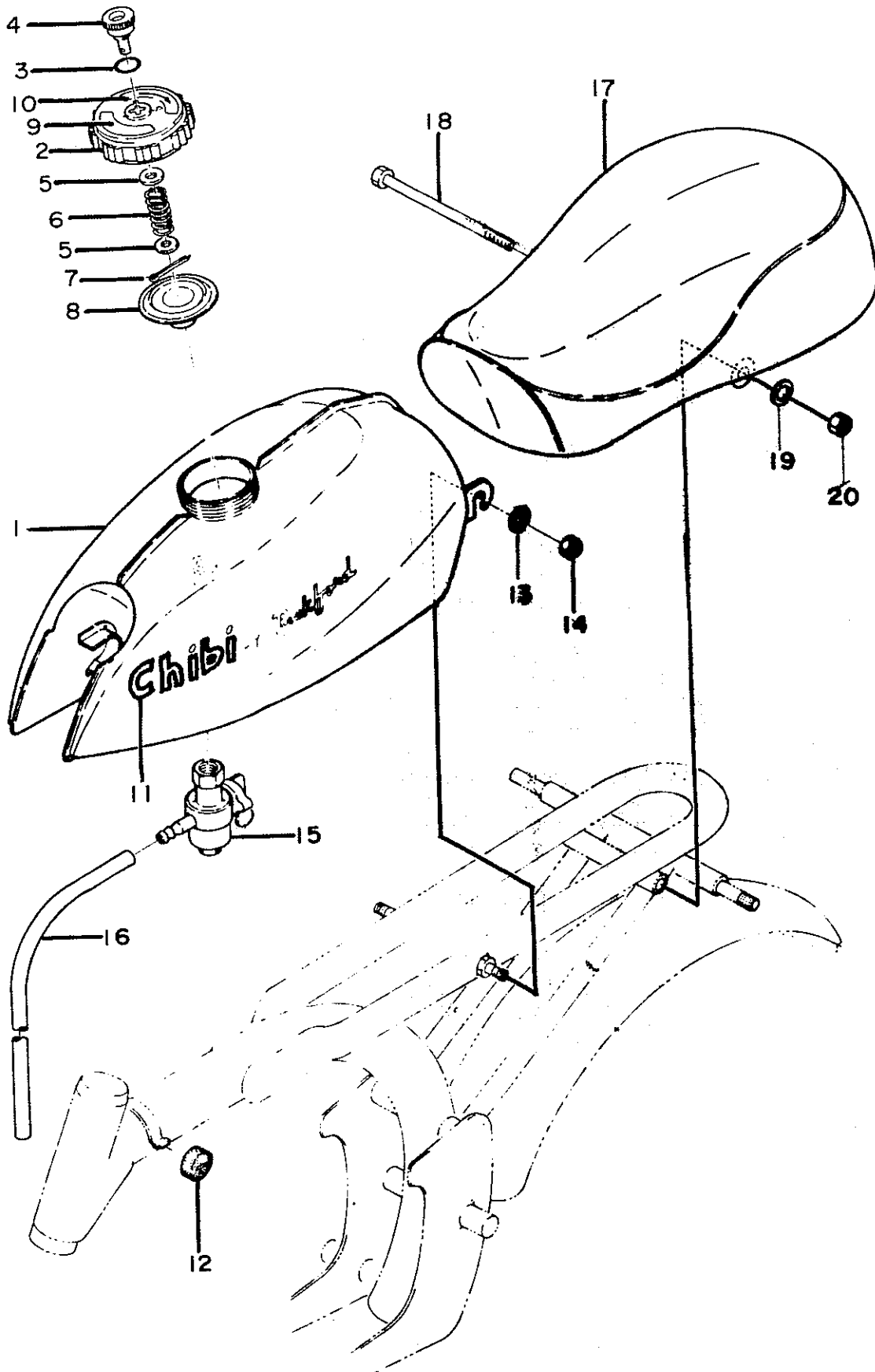


**FIGURE 16 — FOOTREST AND BRAKE PEDAL**

FIGURE 16 - FOOT REST AND BRAKE PEDAL

(C430 - C435 CHIBI; C440 - C445 TORA)

REF. NO.	PART NUMBER	DESCRIPTION	QUANTITY REQUIRED			
			C430 Chibi	C435 Chibi Deluxe	C440 Tora	C445 Tora Deluxe
<u>BEFORE SERIAL 702004</u>						
1	068 34301 800	Foot Rest Shaft Complete	1			
2	0111 0818	Bolt 8 X 18 mm	2			
3	0431 0820	8 mm Spring Washer	2			
4	0211 0800	8 mm Nut	2			
5	750 34301 800	Foot Rest Rubber Complete	2			
22	752 34301 200	Foot Rest Rubber	2			
23	755 34301 200	Foot Rest Pipe	2			
6	754 34301 200	Washer	2			
7	751 34301 200	Foot Rest Pin	2			
8	0551 2018	Split Pin 2.3 X 15 mm	2			
9	760 34301 800	Stand Complete	1			
10	990 21100 206	Bolt 10 X 20 mm	1			
11	763 34301 200	Stand Spring	1			
12	361 34301 800	Rear Brake Pedal Complete	1			
13	368 34301 200	Rear Brake Rod	1			
14	0551 2018	Split Pin 2.3 X 15 mm	1			
15	375 34301 200	Brake Rod Spring	1			
16	372 34301 200	Brake Cam Arm Metal	1			
17	373 34301 200	Brake Rod Adjuster	1			
18	374 34301 200	Brake Arm Spring	1			
19	378 34301 200	Brake Pedal Washer	1			
20	0551 2525	Split Pin 2.5 X 25 mm	1			
21	0411 0613	6 mm Flat Washer	2			
<u>AFTER SERIAL 702004</u>						
5	750 34301 800	Foot Rest Rubber Complete	2	2	2	2
22	752 34301 200	Foot Rest Rubber	-	-	-	-
23	755 34301 200	Foot Rest Pipe	-	-	-	-
6	754 34301 200	Washer	2	2	2	2
7	751 34301 200	Foot Rest Pin	2	2	2	2
8	0551 2018	Split Pin 2.3 X 15 mm	2	2	2	2
9	760 34301 801	Stand	1	1	-	-
9	760 34401 800	Stand	-	-	1	1
11	763 34301 200	Stand Spring	1	1	1	1
12	361 34301 800	Pedal - Before Serial 702443	1	-	-	-
12	361 34301 801	Pedal - After Serial 702443	1	1	-	-
12	361 34401 800	Brake Pedal	-	-	1	1
13	368 34301 200	Rear Brake Rod	1	1	-	-
13	368 34401 200	Rear Brake Rod	-	-	1	1
14	0551 2018	Split Pin 2.3 X 15 mm	1	1	1	1
15	375 34301 200	Brake Rod Spring	1	1	1	1
16	372 34301 200	Brake Cam Arm Metal	1	1	-	-
17	373 34301 200	Brake Rod Adjuster	1	1	1	1
18	374 34301 200	Spring - Before Serial 702443	1	-	-	-
	374 34301 201	Spring - After Serial 702443	1	1	1	1
19	378 34301 200	Brake Pedal Washer	1	1	1	1
20	0551 2525	Split Pin 2.5 X 25 mm	1	1	1	1
21	0411 0613	6 mm Flat Washer	2	2	-	-
24	0411 1022	10 mm Washer	1	1	-	-
25	0212 1000	10 mm Nut	1	1	-	-
25	0211 0800	8 mm Nut	-	-	1	1
26	990 21100 206	10 X 20 mm Bolt	1	1	-	-
26	764 34401 200	Stand Bolt	-	-	1	1



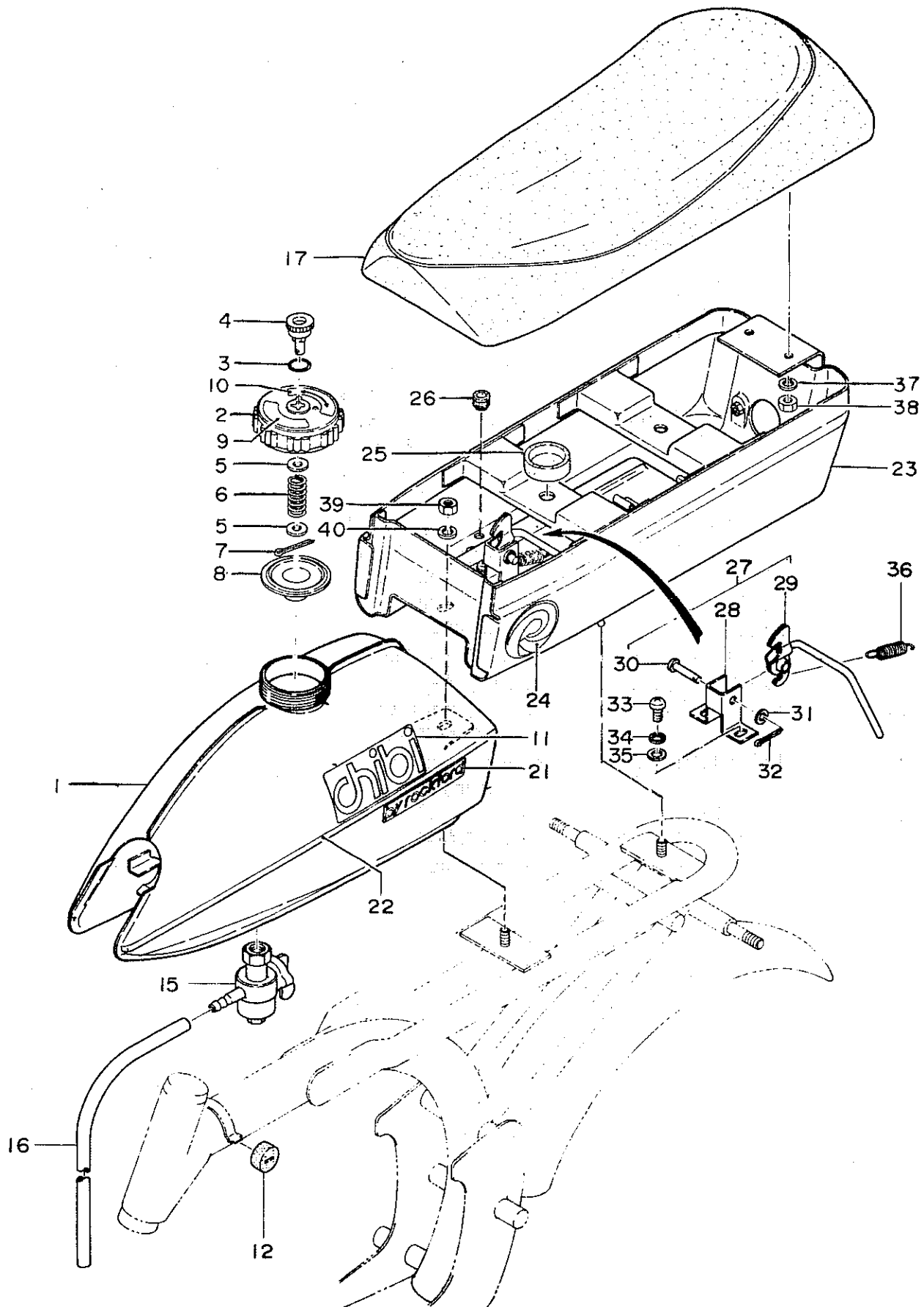
**FIGURE 17 — FUEL TANK AND SEAT**

FIGURE 17 - FUEL TANK AND SEAT

(C430 CHIBI ONLY)

<u>REF.</u> <u>NO.</u>	<u>PART</u> <u>NUMBER</u>	<u>DESCRIPTION</u>	<u>QUANTITY</u> <u>REQUIRED</u> <u>C430 - CHIBI</u>
1	591 11501 800	Tank Complete - Blue	1
2	595 11501 900	Tank Cap Assembly	1
3	999 67101 502	Tank O Ring #15	1
4	646 11501 200	Tank Valve	1
5	0411 0613	Tank 6 mm Washer	2
6	688 11501 200	Tank Valve Spring	1
7	0551 1010	Tank Split Pin 1.2 X 12	1
8	629 11501 200	Tank Plastic Insert	1
9	909 11501 200	Tank Mixture Decal	1
10	919 11501 200	Tank Open - Close Decal	1
11	906 11501 200	Name Plate Tank	2
12	060 34301 200	Tank Support Rubber Front	2
13	0411 0818	8 mm Washer	2
14	0211 0800	8 mm Nut	2
15	592 11501 900	Fuel Cock Assembly	1
16	700 11501 200	Fuel Pipe	1
17	391 34301 800	*Seat Complete - Before 705450	1
17	391 34301 801	*Seat Complete - After Serial 705450	1
18	990 21081 306	Bolt 8 X 130 mm	1
19	0411 0818	8 mm Washer	1
20	0211 0800	8 mm Nut	1

\*Interchangeable

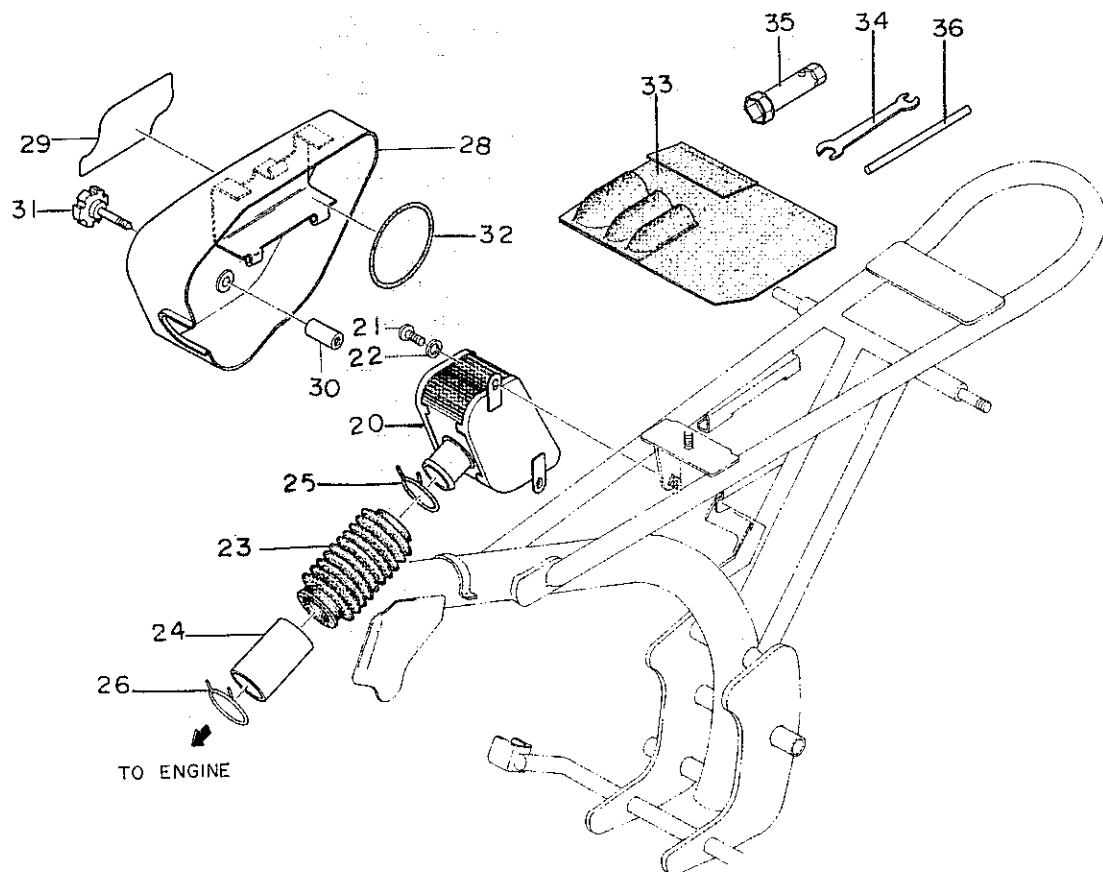
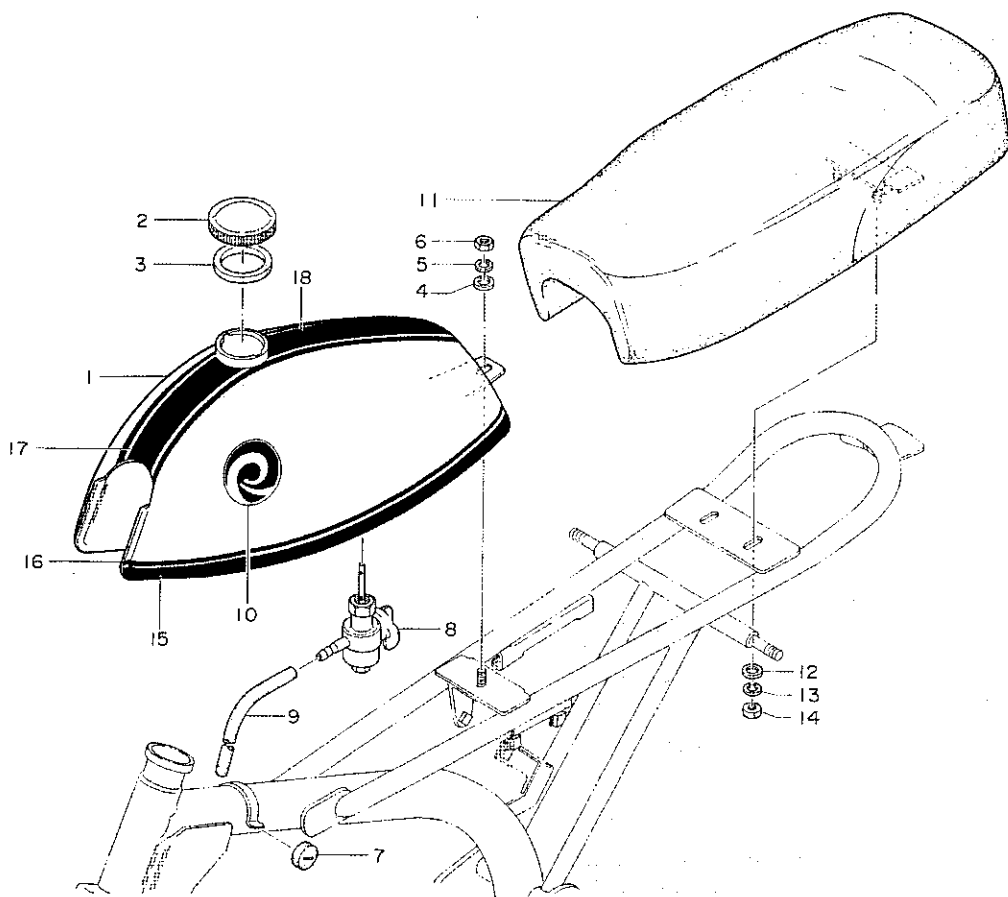


**FIGURE 17A — FUEL TANK AND SEAT**

FIG. 17A - FUEL TANK AND SEAT

(C435 CHIBI DELUXE ONLY)

<u>REF.</u> <u>NO.</u>	<u>PART</u> <u>NUMBER</u>	<u>DESCRIPTION</u>	<u>QUANTITY</u> <u>REQUIRED</u>
1	591 11502 800	Fuel Tank Complete (Tangerine)	1
2	595 11501 900	Tank Cap Assembly	1
3	999 67101 502	Tank O Ring #15	1
4	646 11501 200	Tank Valve	1
5	0411 0613	Tank 6 mm Washer	2
6	688 11501 200	Tank Valve Spring	1
7	0551 1010	Tank Split Pin 1.2 X 12	1
8	629 11501 200	Tank Plastic Insert	1
9	909 11501 200	Tank Mixture Decal	1
10	919 11501 200	Tank Open - Close Decal	1
11	906 11502 200	Name Plate Tank	2
12	060 34301 200	Tank Support Rubber - Front	2
15	592 11501 900	Fuel Cock Assembly	1
16	700 11502 200	Fuel Pipe	1
17	391 34302 800	Seat Complete	1
21	436 34302 200	Rockford Mark	2
22	437 34302 200	Tank Tape	2
23	410 34302 800	Seat Base Pan	1
24	435 34302 200	Symbol Mark	2
25	430 34302 200	Damper Seat	1
26	202 01003 200	Wire Grommet	1
27	415 34302 900	Seat Catch Assembly	1
28	422 34302 200	Seat Catch Body	1
29	418 34302 800	Seat Catch Ratchet	1
30	425 34302 200	Seat Catch Shaft	1
31	0411 0613	Washer	1
32	0551 2018	Split Pin	1
33	0311 0618	Seat Catch Mounting Screw	2
34	0431 0615	Lock Washer	2
35	0411 0613	Plain Washer	2
36	424 34302 200	Seat Catch Spring	1
37	0431 0615	Lock Washer	2
38	0231 0600	Hex Nut	2
39	0211 0800	Hex Nut	4
40	0411 0818	Lock Washer	4



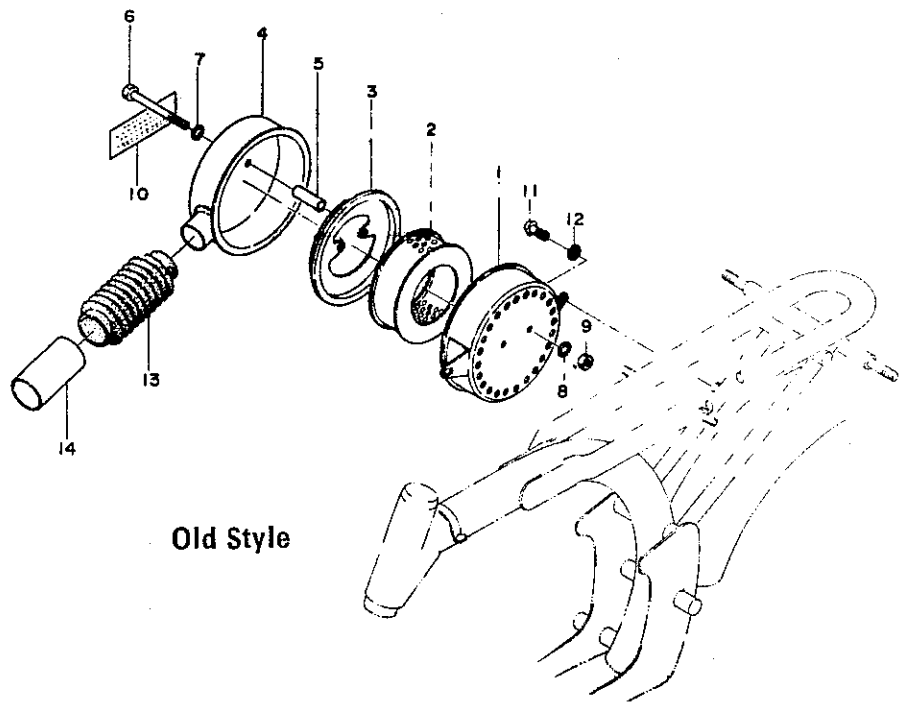
**FIGURE 17B — FUEL TANK, SEAT AND AIR CLEANER**

FIGURE 17B - FUEL TANK, SEAT, AIR CLEANER AND TOOLS

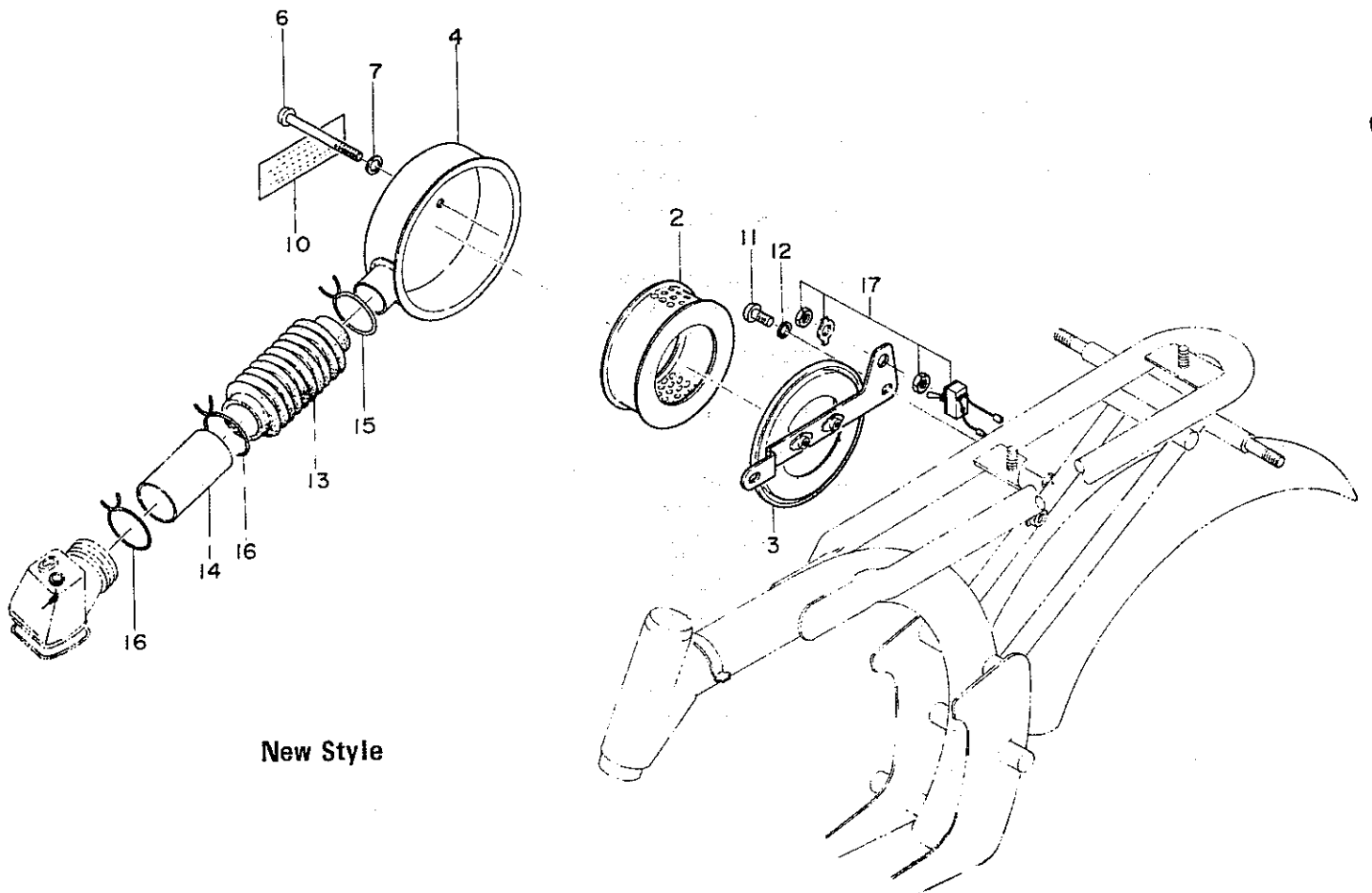
(C440 - C445 TORA ONLY)

REF. NO.	PART NUMBER	DESCRIPTION	QUANTITY REQUIRED	
			C440 TORA	C445 TORA DELUXE
1	591 34401 800	Fuel Tank Complete	1	1
2	595 34401 900	Tank Cap Assembly		
		Tank Cap	1	1
3	682 34401 200	Cap Packing	1	1
4	0411 0818	8 mm Washer	1	1
5	0431 0820	8 mm Spring Washer	1	1
6	0211 0800	8 mm Nut	1	1
7	060 34301 200	Tank Support Rubber	2	2
8	592 11501 900	Fuel Cock Assembly	1	1
9	700 11504 200	Fuel Pipe	1	1
10	435 34401 200	Symbol Mark	2	2
11	391 34401 800	Seat Complete	1	1
12	0411 0613	6 mm Washer	2	2
13	0431 0615	6 mm Spring Washer	2	2
14	0222 0600	6 mm Nut	2	2
15	643 34401 200	Tank Rubber	2	2
16	437 34401 200	Racing Stripe "A"	2	2
17	438 34401 200	Racing Stripe "B"	2	2
18	441 34401 200	Racing Stripe "C"	1	1
20	447 34401 800	Cleaner Element Complete	1	1
21	0311 0612	6 X 12 mm Screw	2	2
22	0431 0615	6 mm Spring Washer	2	2
23	458 11501 200	Cleaner Rubber	1	1
24	455 34301 200	Cleaner Pipe Joint	1	1
25	439 34301 200	Clamp A	1	1
26	440 34301 200	Clamp B	2	2
28	450 34401 800	Side Cover	1	1
29	906 11504 200	Side Cover "Tora" Decal	1	1
30	454 34401 200	Side Cover Spacer	1	1
31	453 34401 800	Side Cover Knob	1	1
32	400 34401 200	Tool Bag Band	1	1
33	843 20000 200	Tool Bag	1	1
34	802 20000 200	9 x 10 Spanner	1	1
35	823 20000 200	17 x 21 Box Spanner	1	1
36	951 20000 200	8 x 120 Handle	1	1





Old Style



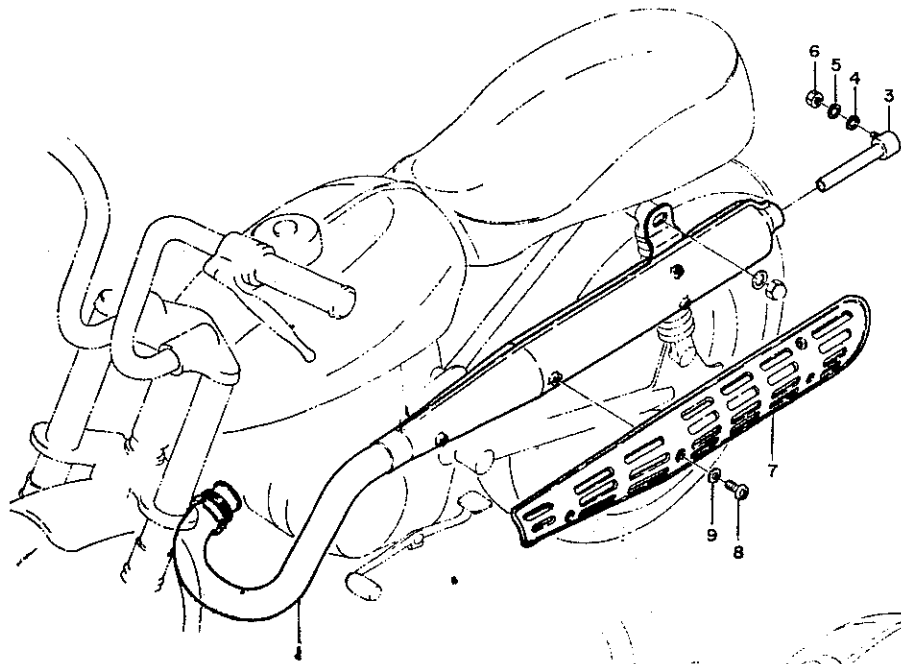
New Style

FIGURE 18 — AIR CLEANER

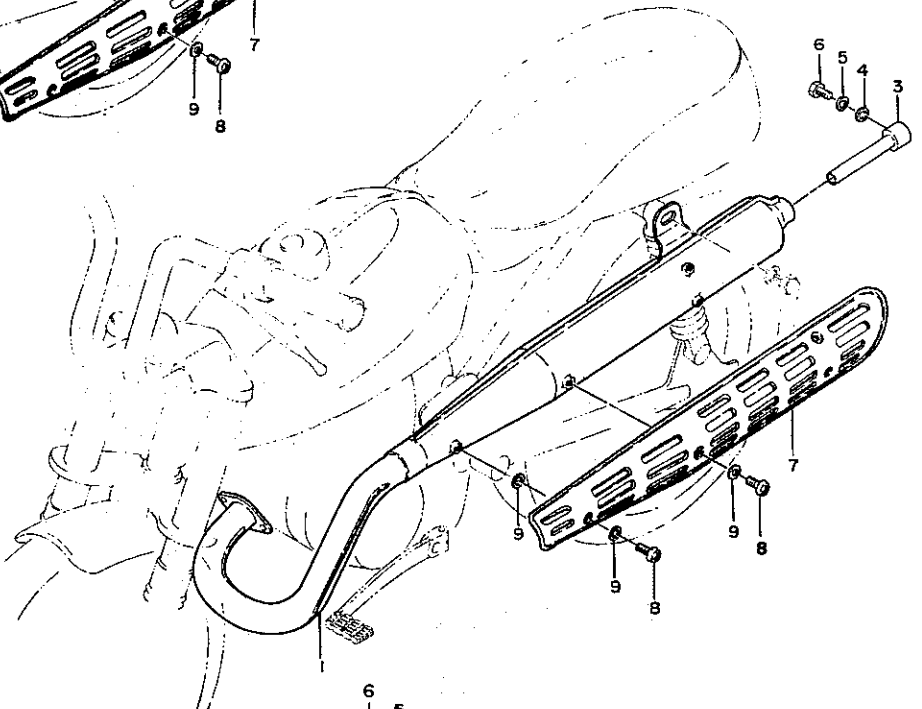
FIG. 18 - AIR CLEANER

(C430-C435 CHIBI ONLY)

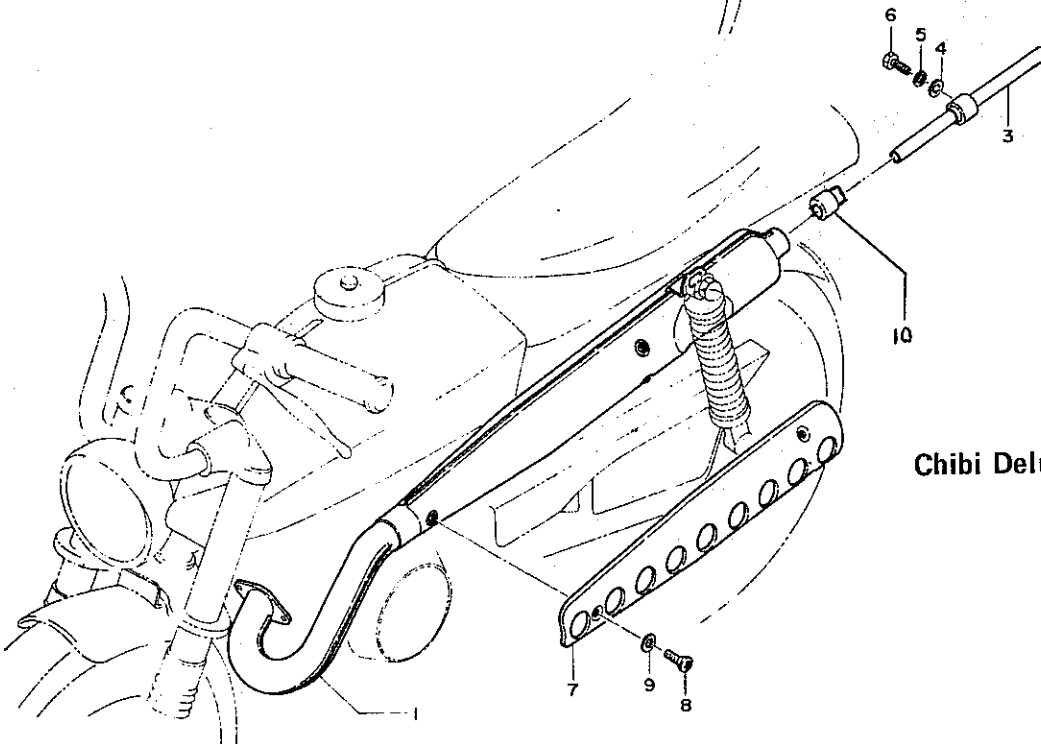
REF. NO.	PART NUMBER	DESCRIPTION	QUANTITY REQUIRED	
			C430 CHIBI	C435 CHIBI DELUXE
<u>OLD STYLE - BEFORE SERIAL 707132</u>				
	410 11501 900	Air Cleaner Assembly	1	
1	416 11501 800	Cleaner Cover Complete	1	
2	420 11301 800	Cleaner Element Complete	1	
3	423 11501 200	Cleaner Body	1	
4	424 11501 800	Cleaner Cap	1	
5	453 11501 200	Cleaner Collar	2	
6	09011 103	Bolt 6 X 88 mm	2	
7	0411 0613	6 mm Washer	2	
8	0431 0615	6 mm Spring Washer	2	
9	0222 0600	6 mm Nut	2	
10	918 11501 200	Cleaner Mark	1	
11	0311 0612	Screw 6 X 12 mm	2	
12	0431 0615	6 mm Spring Washer	2	
13	458 11501 200	Cleaner Rubber	1	
14	455 34301 200	Cleaner Pipe Joint	1	
<u>ADDED AT SERIAL 703884</u>				
15	439 34301 200	Clamp A	1	
16	440 34301 200	Clamp B	1	
<u>NEW STYLE - AFTER SERIAL 707132</u>				
	410 11501 901	Air Cleaner Assembly	1	1
2	420 11301 800	Cleaner Element Complete	1	1
3	423 11501 201	Cleaner Body	1	1
4	424 11501 800	Cleaner Cap	1	1
6	0311 0655	6 X 55 Screw	2	2
7	0411 0613	6 mm Washer	2	2
10	918 11501 200	Cleaner Mark	1	1
11	0311 0612	Screw 6 X 12 mm	2	2
12	0431 0615	6 mm Spring Washer	2	2
13	458 11501 200	Cleaner Rubber	1	1
14	455 34301 200	Cleaner Pipe Joint	1	1
15	439 34301 200	Clamp A	1	1
16	440 34301 200	Clamp B	1	2
17	459 34302 900	Lamp Switch Assembly	-	1



**Chibi**  
**Before Serial #701360**



**Chibi**  
**After Serial #701360**



**Chibi Deluxe and Tora**

**FIGURE 19 — EXHAUST SYSTEM**

FIGURE 19 - EXHAUST SYSTEM (BEFORE SERIAL 701360)

(C430 - C435 CHIBI: C440 - C445 TORA)

REF. NO.	PART NUMBER	DESCRIPTION	QUANTITY REQUIRED			
			C430	C435	C440	C445
			CHIBI	CHIBI DELUXE	TORA	TORA DELUXE
1	706 11501 800	Muffler Complete	1	-	-	-
3	709 11501 800	Diffuser Pipe Complete	1	-	-	-
4	0411 0512	5 mm Washer	1	-	-	-
5	0431 0513	5 mm Spring Washer	1	-	-	-
6	0211 0500	5 mm Nut	1	-	-	-
7	738 11501 200	Muffler Protector	1	-	-	-
8	0311 0608	Screw 6 X 8 mm	4	-	-	-
9	0411 0613	6 mm Washer	4	-	-	-

FIGURE 19 - EXHAUST SYSTEM (AFTER SERIAL 701360)

1	706 11501 801	Muffler Complete	1	-	-	-
1	706 11502 800	Muffler Complete	-	1	-	-
1	706 34401 800	Muffler Complete	-	-	1	1
3	709 11501 800	Diffuser Pipe - Before Serial 705601	1	-	-	-
	709 11501 801	Diffuser Pipe - After Serial 705601	1	-	-	-
3	709 11502 800	Diffuser Pipe	-	1	-	-
3	709 34401 800	Diffuser Pipe	-	-	1	1
4	0411 0512	5 mm Washer	1	1	1	1
5	0431 0513	5 mm Spring Washer	1	1	1	1
6	0211 0500	5 mm Nut - Before Serial 705601	1	-	-	-
	0111 0508	5 X 8 mm Bolt - After Serial 705601	1	1	1	1
7	738 11501 200	Muffler Protector	1	-	-	-
7	738 11502 200	Muffler Protector	-	1	1	1
8	0311 0608	6 X 8 mm Screw	4	-	-	-
8	990 11060 085	6 X 8 mm Screw	-	4	-	-
8	0311 0610	6 X 10 mm Screw	-	-	3	3
9	0411 0613	6 mm Washer - Before Serial 703550	4	-	-	-
9	317 00200 200	Gasket - After Serial 703550	4	4	-	-
9	142 34401 200	Gasket	-	-	4	4
10	710 34401 200	Diffuser Joint Rubber	-	-	1	1

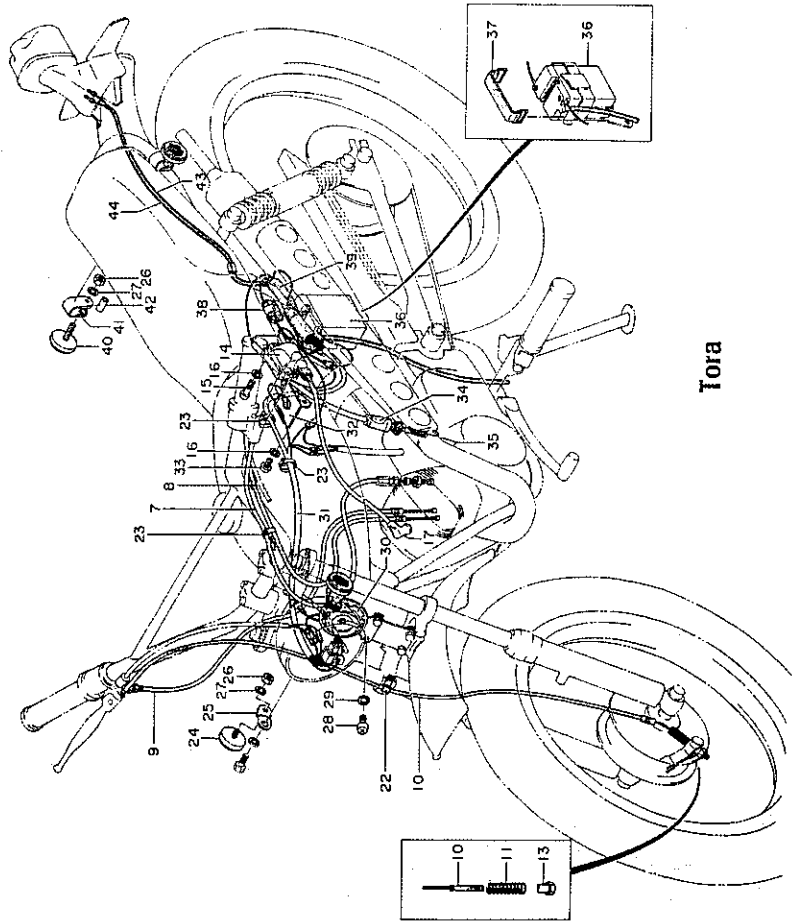
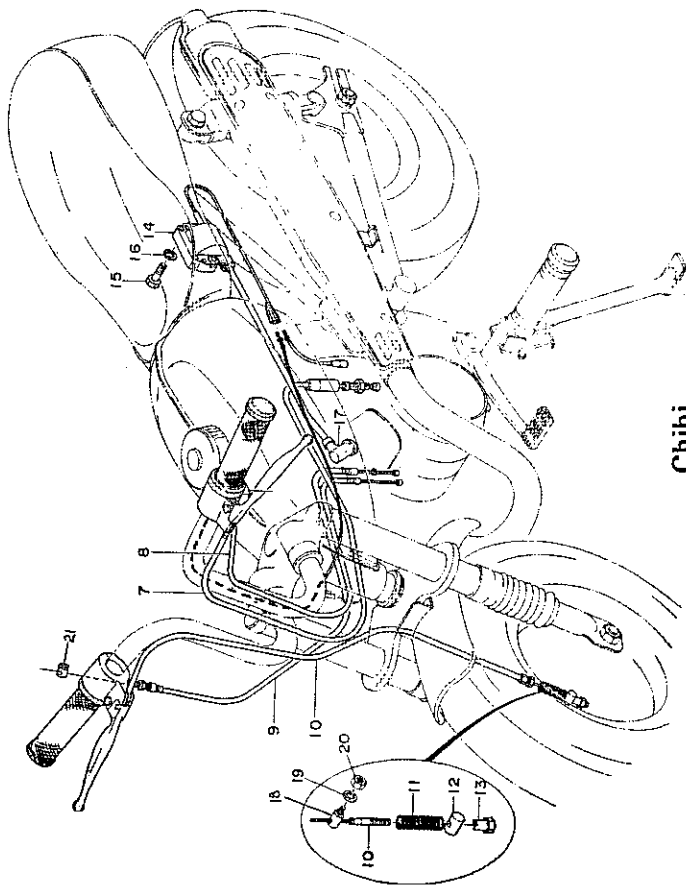


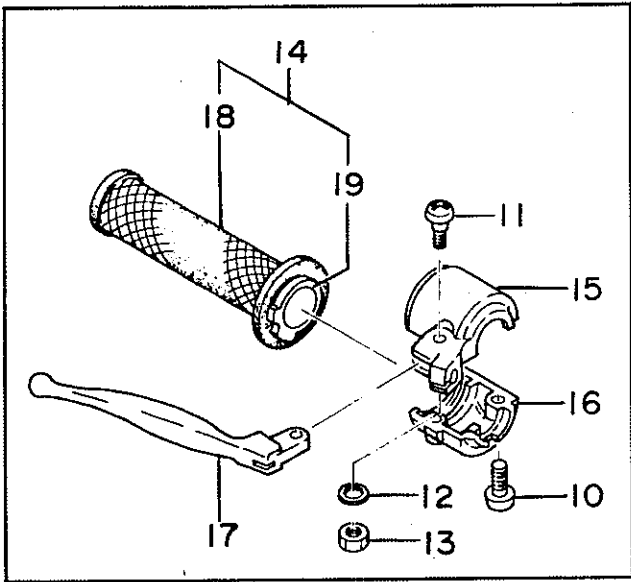
FIGURE 20 - CONTROL SYSTEM

FIGURE 20 - CONTROL SYSTEM

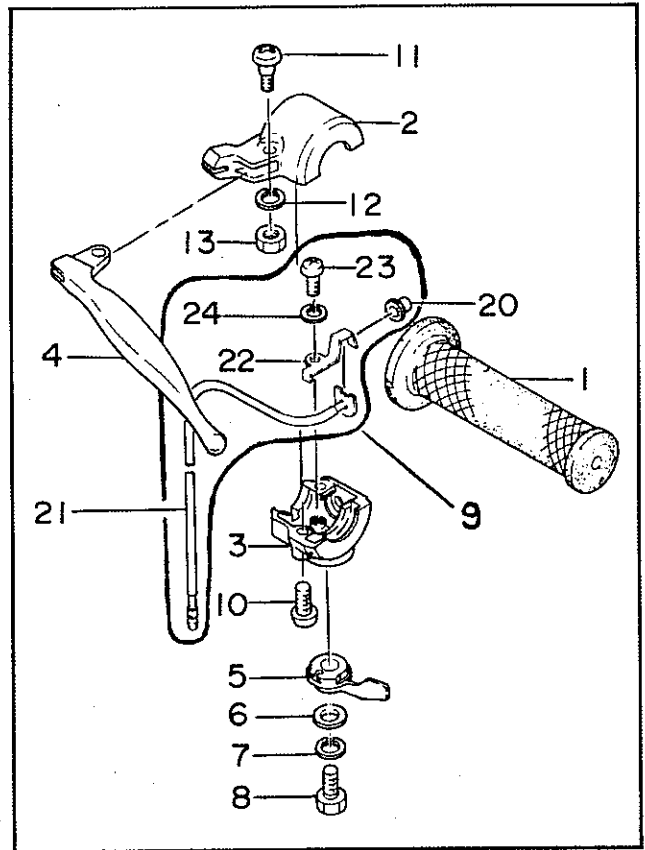
(C430 - C435 CHIBI: C440 - C445 TORA)

REF. NO.	PART NUMBER	DESCRIPTION	QUANTITY REQUIRED			
			C430 CHIBI	C435 CHIBI DELUXE	C440 TORA	C445 TORA DELUXE
7	886 34301 900	Clutch Wire Assembly	1	1	-	-
7	886 34401 800	Clutch Wire Assembly	-	-	1	1
8	888 11501 800	Choke Wire Assembly	1	1	-	-
8	888 34401 800	Choke Wire Assembly	-	-	1	1
9	885 11501 800	Throttle Wire				
		Before Serial 704653	1	-	-	-
9	885 11501 801	Throttle Wire				
		After Serial 704653	1	1	-	-
9	885 34401 800	Throttle Wire	-	-	1	1
10	350 34301 800	Front Brake Wire Complete	1	1	-	-
10	350 34401 800	Front Brake Wire Complete	-	-	1	1
11	375 34301 200	Brake Cable Spring	1	1	1	1
12	372 34301 200	Brake Cam Arm Metal	1	1	-	-
13	373 34301 200	Brake Cable Adjuster	1	1	1	1
14	167 20900 900	Ignition Coil Assembly	1	1	1	1
15	0113 0625	Bolt 6 X 22 mm	2	2	2	2
16	0431 0615	6 mm Spring Washer	2	2	2	3
17	251 12110 200	Spark Plug Cap	1	1	1	1
18	304 34301 200	Front Brake Wire Holder	1	1	-	-
19	0431 0615	6 mm Spring Washer	1	1	-	-
20	0222 0600	6 mm Nut	1	1	-	-
21	898 11501 200	Throttle Wire Boss	1	-	-	-
		Deleted after 704653				
22	776 34401 200	Wire Holder	-	-	1	1
23	777 34401 200	Wire Band	-	-	1	1
24	801 34303 200	Reflector - Amber	-	-	-	2
25	803 34303 200	Reflector Bracket B	-	-	-	2
26	991 01050 001	5 mm Nut	-	-	-	4
27	0431 0513	5 mm Spring Washer	-	-	-	4
28	0311 0612	6 X 10 mm Screw	-	-	-	2
29	0431 0615	6 mm Spring Washer	-	-	-	2
30	8402 5600	Horn	-	-	-	1
31	792 34402 800	Wire Harness	-	-	-	1
32	518 34012 800	Rectifier	-	-	-	1
33	990 11060 121	Screw 6 X 10	-	-	-	1
34	820 34402 200	Foot Brake Switch	-	-	-	1
35	818 34402 200	Foot Brake Switch Spring	-	-	-	1
36	8701 3040	Battery	-	-	-	1
37	400 34301 800	Battery Band	-	-	-	1
38	840 34402 900	Fuse Holder Assembly	-	-	-	1
39	793 34402 200	Wire Harness Cover	-	-	-	1
40	560 34010 200	Reflector - Red	-	-	-	2
41	562 34010 200	Reflector Bracket A	-	-	-	2
42	564 34010 200	Reflector Collar A	-	-	-	2
43	134 34402 200	Stop Light Wire	-	-	-	1
44	135 34402 200	Tail Light Wire	-	-	-	1

Chibi  
Chibi Deluxe  
and Tora

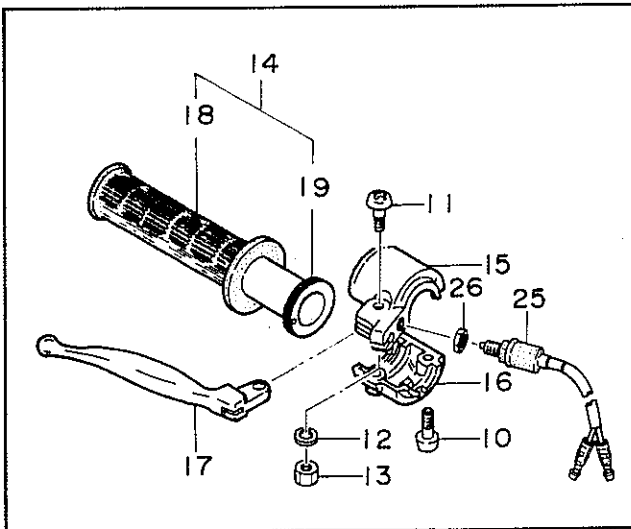


Throttle Grip

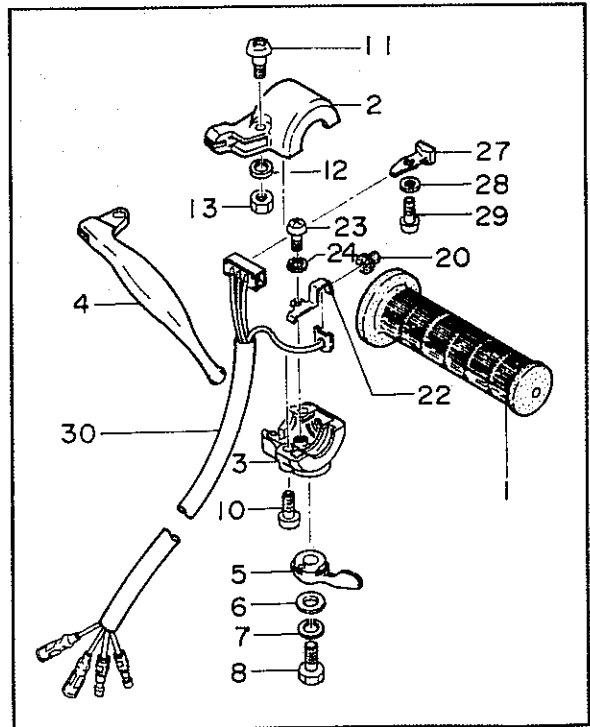


Clutch Grip

Tora  
Deluxe



Throttle Grip



Clutch Grip

FIGURE 21 — CLUTCH GRIP-THROTTLE GRIP





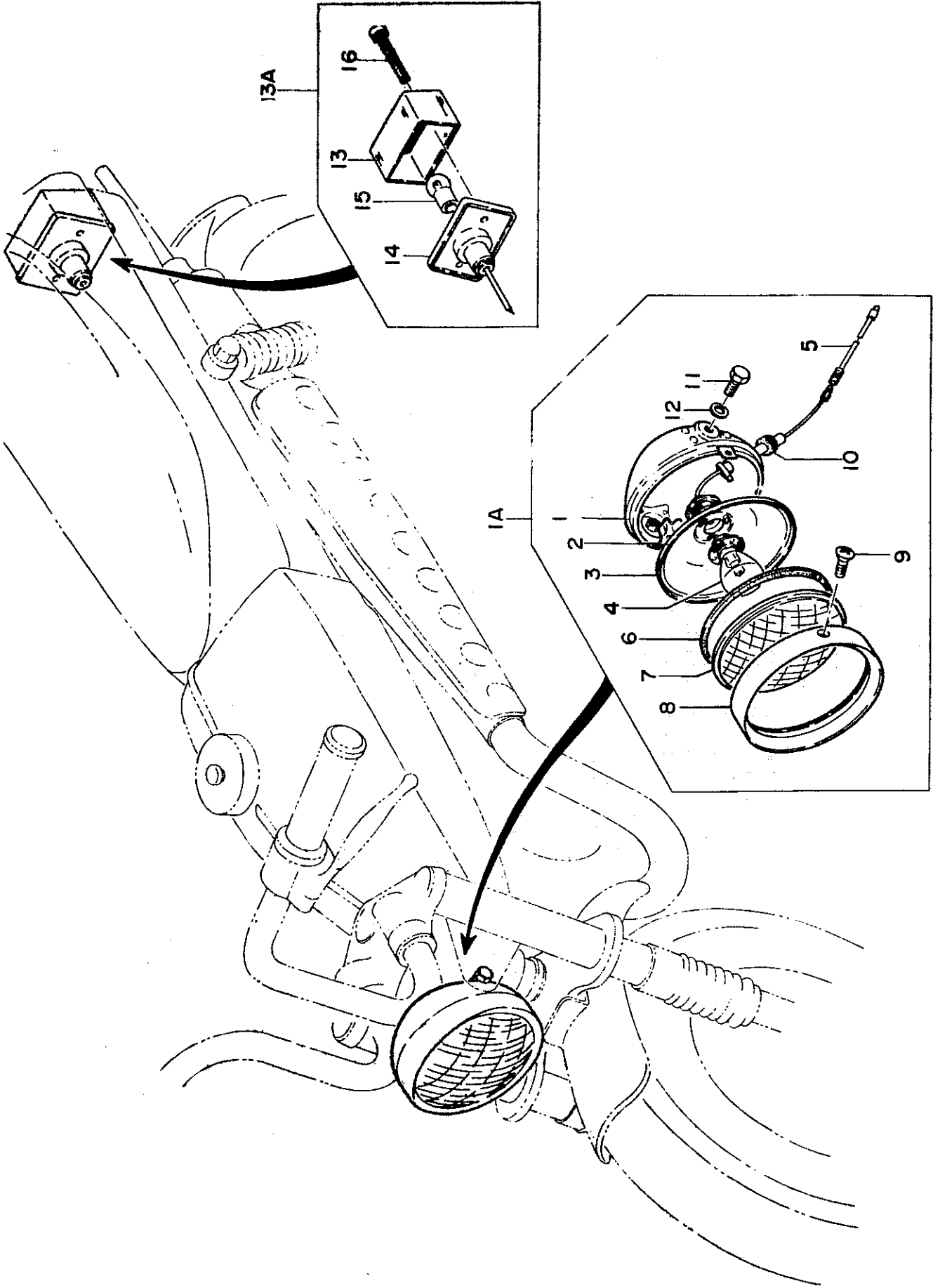


FIGURE 22 - HEAD & TAIL LAMP

FIG. 22 - HEAD & TAIL LAMP

(C435 CHIBI DELUXE ONLY)

<u>REF.</u> <u>NO.</u>	<u>PART</u> <u>NUMBER</u>	<u>DESCRIPTION</u>	<u>QUANTITY</u> <u>REQUIRED</u> <u>C435</u> <u>CHIBI DELUXE</u>
	457 34302 900	Head Lamp Assembly	1
1	461 34302 200	Head Lamp Body	1
2	462 34302 200	Rim Set Spring	4
3	463 34302 900	Reflector and Socket	1
4	464 34302 200	Bulb	1
5	465 34302 200	Lead Wire	1
6	466 34302 200	Gasket	1
7	467 34302 200	Lens	1
8	468 34302 200	Rim	1
9	0342 0408	Rim Screw	1
10	469 34302 200	Grommet	1
11	0132 0816	Mounting Bolt	2
12	0431 0820	Washer	2
13A	458 34302 900	Tail Lamp Assembly	1
13	471 34302 200	Lens	1
14	472 34302 800	Base and Socket	1
15	473 34302 200	Bulb	1
16	990 11040 500	Mounting Screw	2

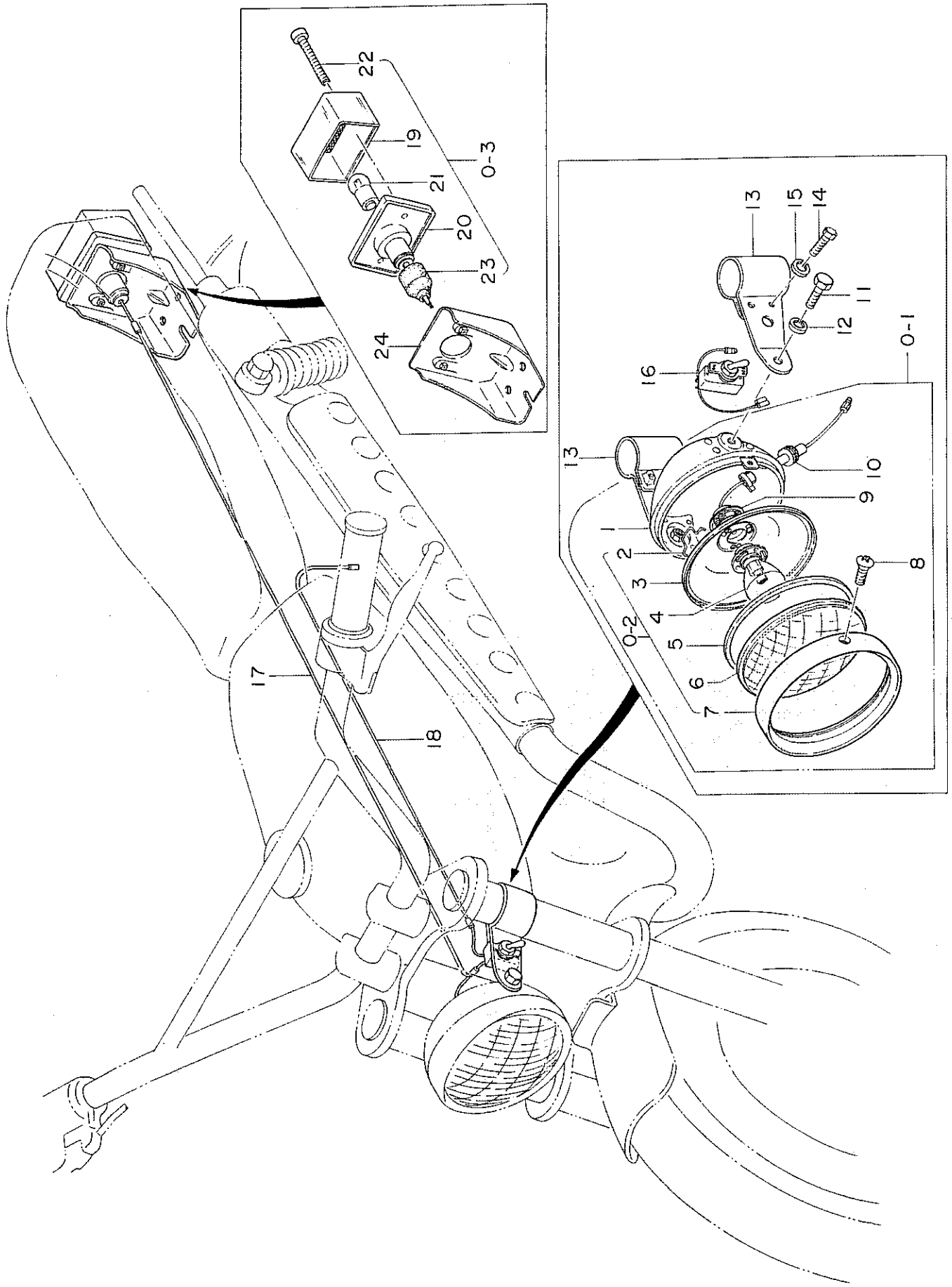


FIGURE 22A — HEAD & TAIL LAMP

FIG. 22A - HEAD LAMP AND TAIL LAMP

(C440 TORA ONLY)

<u>REF.</u> <u>NO.</u>	<u>PART</u> <u>NUMBER</u>	<u>DESCRIPTION</u>	<u>QUANTITY</u> <u>REQUIRED</u>
0-1	457 34401 900	Head Lamp Assembly	1
1	461 34401 800	Head Lamp Body	1
0-2	460 34302 900	Head Lamp Lens Assembly	1
2	462 34302 200	Rim Set Spring	4
3	463 34302 200	Head Lamp Reflector	1
4	464 34302 200	Head Lamp Bulb	1
5	466 34302 200	Head Lamp Gasket	1
6	467 34302 200	Head Lamp Lens	1
7	468 34302 200	Head Lamp Rim	1
8	0342 0408	4 X 8 mm Screw	1
9	470 34401 800	Socket and Cord Complete	1
10	469 34302 200	Head Lamp Grommet	1
11	0112 0818	8 X 18 Bolt	2
12	0431 0820	8 mm Spring Washer	2
13	191 34401 800	Head Lamp Bracket	2
14	0112 0614	6 X 14 (Screw) Bolt	4
15	0431 0615	6 mm Spring Washer	4
16	459 34401 900	Lamp Switch Assembly	1
17	134 34401 800	Lamp Cord A	1
18	135 34401 800	Lamp Cord B	1
0-3	458 34401 900	Tail Lamp Assembly	1
19	471 34302 200	Tail Lamp Lens	1
20	472 34302 200	Tail Lamp Base	1
21	473 34302 200	Tail Lamp Bulb	1
22	990 11040 500	4 X 50 mm Screw	2
23	477 34301 200	Tail Lamp Cover	1
24	475 34401 800	Tail Lamp Bracket	1

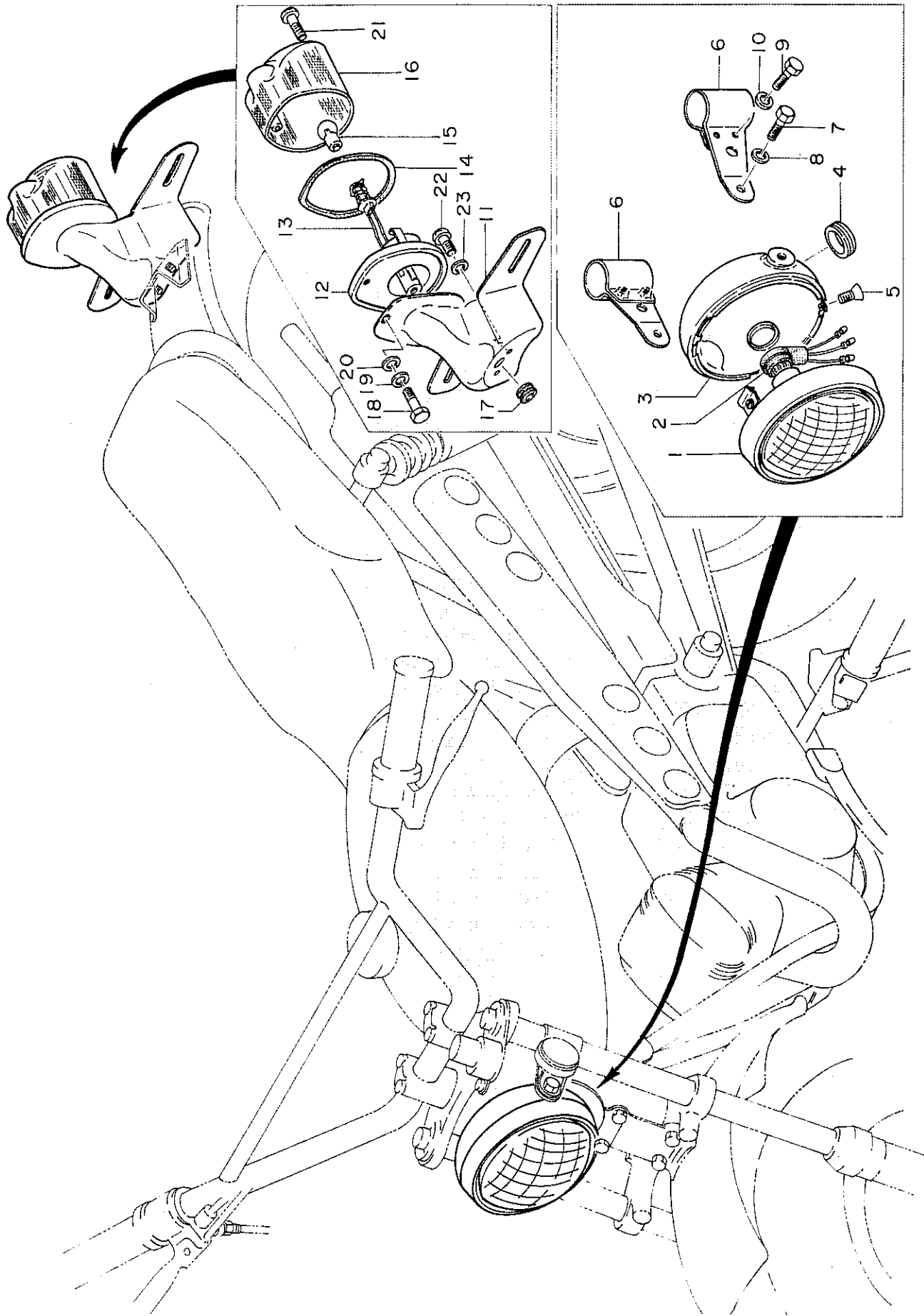


FIGURE 22B - HEAD & TAIL LAMP

FIGURE 22B - HEAD LAMP AND TAIL LAMP

(C445 TORA DELUXE ONLY)

<u>REF.</u> <u>NO.</u>	<u>PART</u> <u>NUMBER</u>	<u>DESCRIPTION</u>	<u>QUANTITY</u> <u>REQUIRED</u>
	457 34402 900	Head Lamp Assembly	1
1	460 34402 900	Head Lamp Lens Assembly	1
2	474 34402 200	Bulb Cover	1
3	461 34402 800	Body	1
4	469 34402 200	Grommet	2
5	0342 0510	5 X 10 mm Screw	1
6	191 34401 800	Head Lamp Bracket	2
7	0111 0818	8 X 18 mm Bolt	2
8	0431 0820	8 mm Spring Washer	2
9	0112 0614	6 X 14 mm Bolt	4
10	0431 0615	6 mm Spring Washer	4
	458 34402 900	Tail Lamp Assembly	1
11	475 34402 200	Bracket	1
12	472 34402 200	Base	1
13	829 34402 200	Socket and Wire	1
14	8253 8000	Packing	1
15	8252 3040	Bulb	1
16	8251 8000	Tail Lamp Lens	1
17	789 34402 200	Grommet	1
18	0121 0410	4 X 10 mm Bolt	3
19	0431 0410	4 mm Spring Washer	3
20	0411 0410	4 mm Washer	3
21	990 11030 300	3 X 30 mm Screw	2